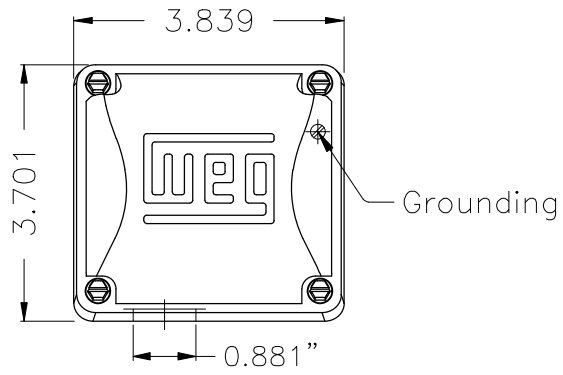
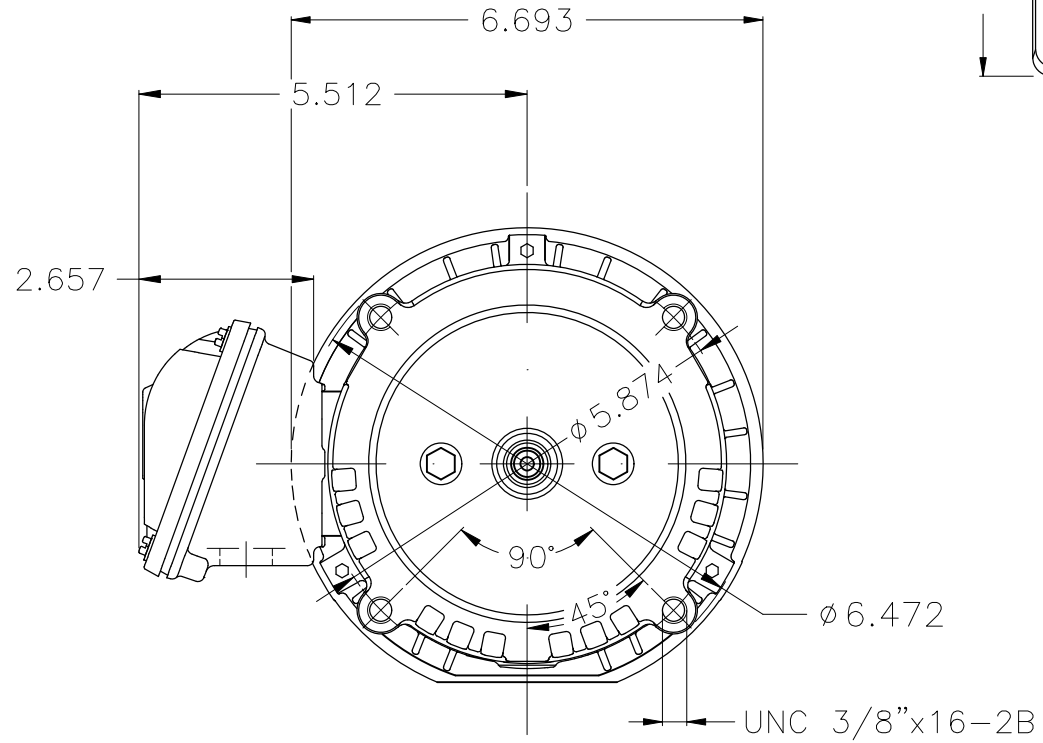


1 2 3 4 5 6

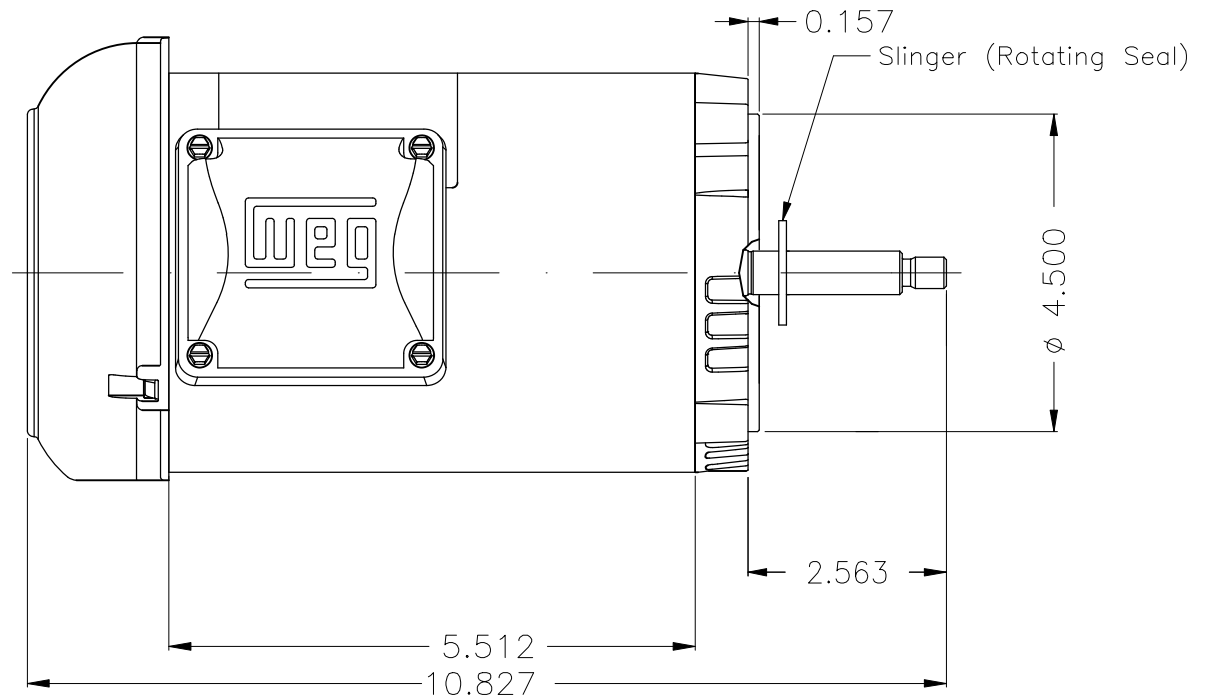
A



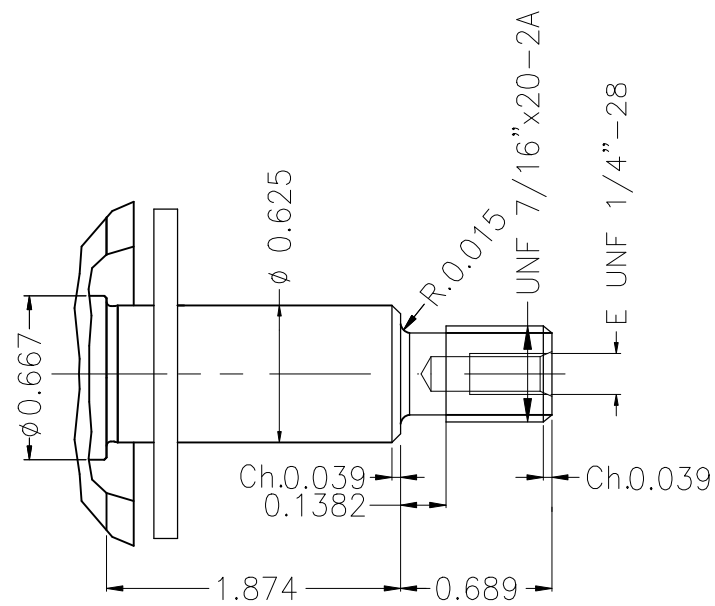
B



C



D



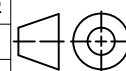
E

NDE sealing - V ring  
 Color Munsell N 1 matte black  
 Painting plan 207N  
 Mounting W-6/V18R(D)

ECM	LOC	SUMMARY OF MODIFICATIONS	EXECUTED	CHECKED	RELEASED	DATE	VER
EXECUTED	HYBRISUSER	THREE PH. MOTOR ROLLED STEEL JET PUMP THREADED PREL. SET					00
CHECKED		FRAME W56J IP55 TEFC					
RELEASED							

0.33 HP 02 Poles 60 Hz

A



WMO Jaragua do Sul Product Engineering

HYBRISUSER  
 EXECUTED  
 CHECKED  
 RELEASED  
 DATE  
 VER

PREVIEW  
 WDD 00  
 SHEET 1 / 1

