

1 2 3 4 5 6

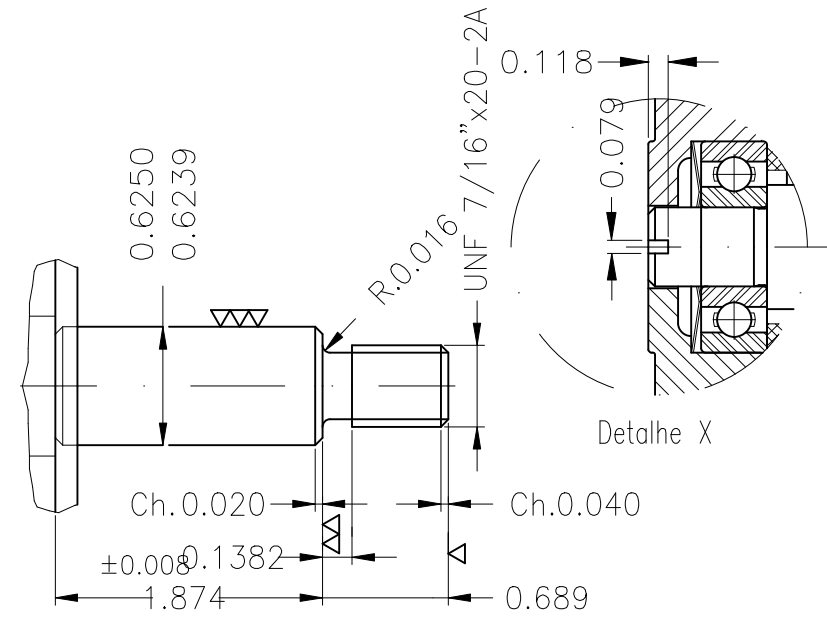
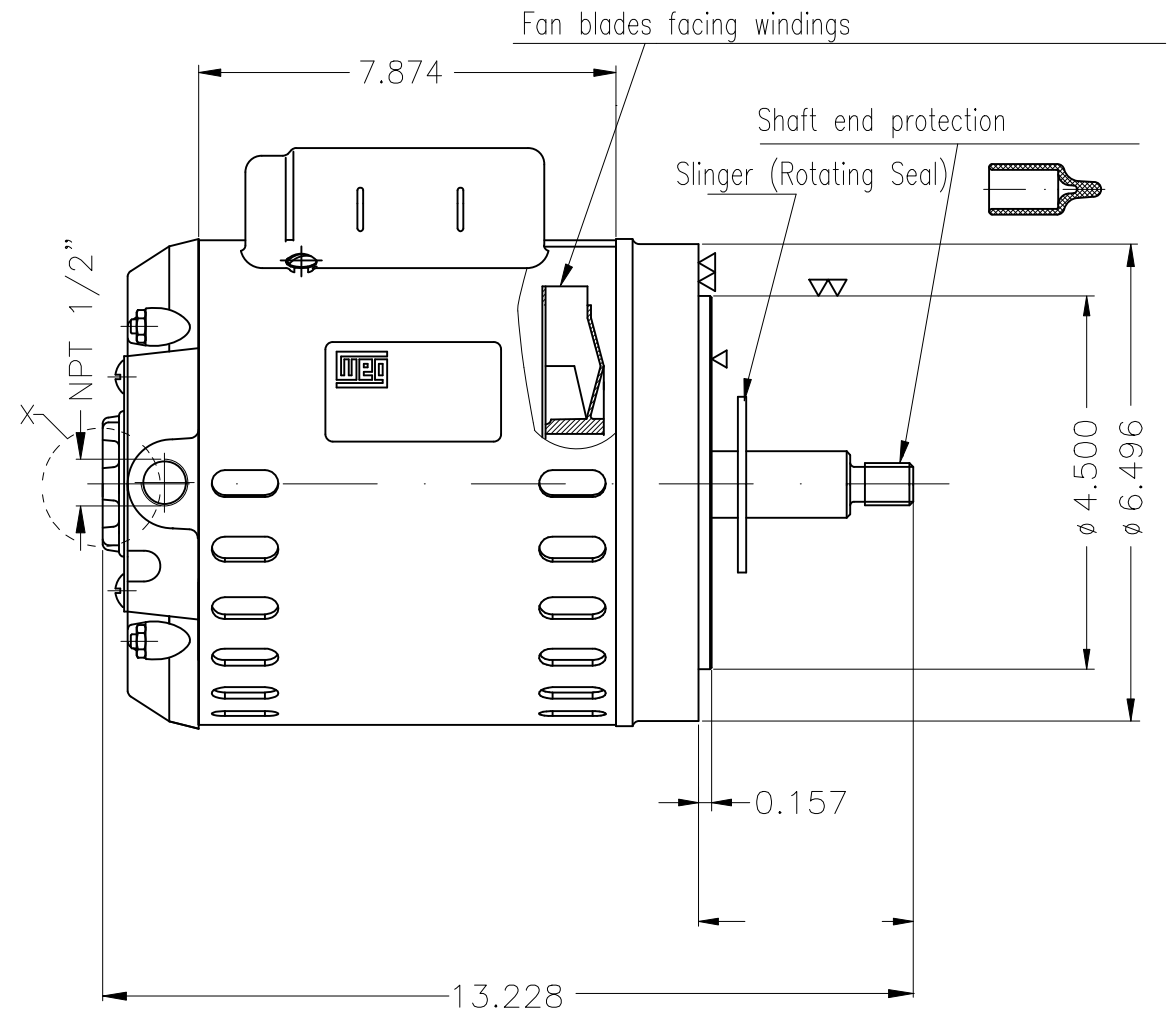
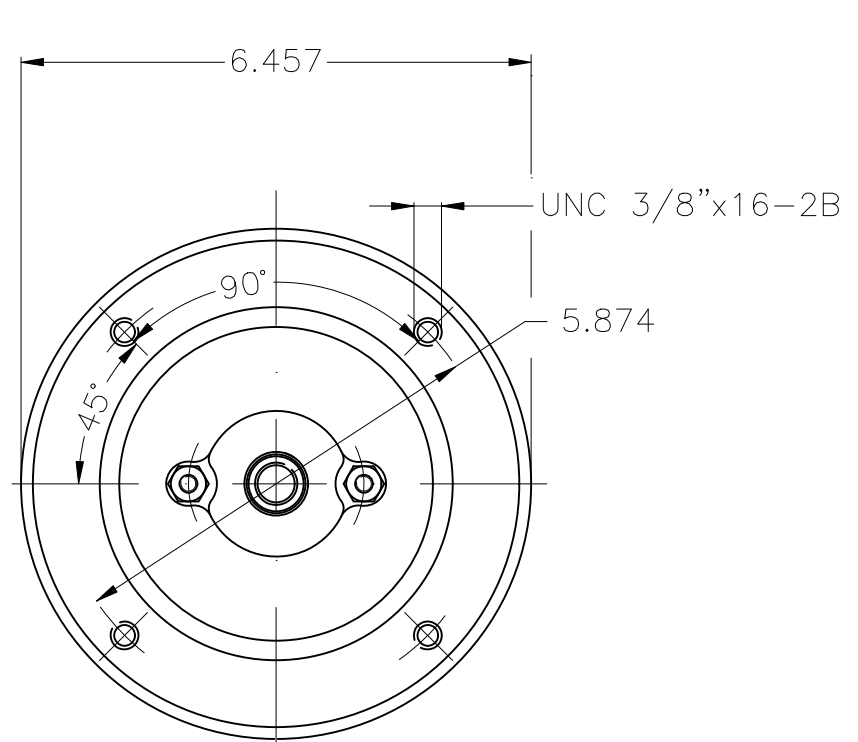
A

B

C

D

E



Mounting B14R(D)										
ECM	LOC	SUMMARY OF MODIFICATIONS				EXECUTED	CHECKED	RELEASED	DATE	VER
EXECUTED	HYBRISUSER	SINGLE PH. MOTOR WJET PUMP								
CHECKED		FRAME E56J IP21 ODP								
RELEASED										
REL. DATE		WMO	Jaragua do Sul	Product Engineering						

2 HP 02 Poles 60 Hz

A

HYBRISUSER 00

PREVIEW

WDD 00

SHEET 1 / 1