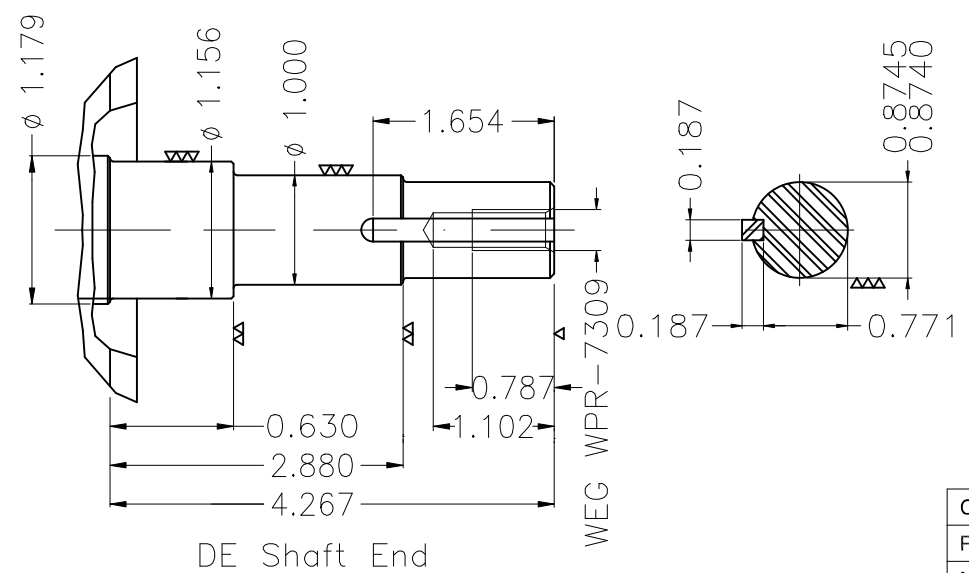
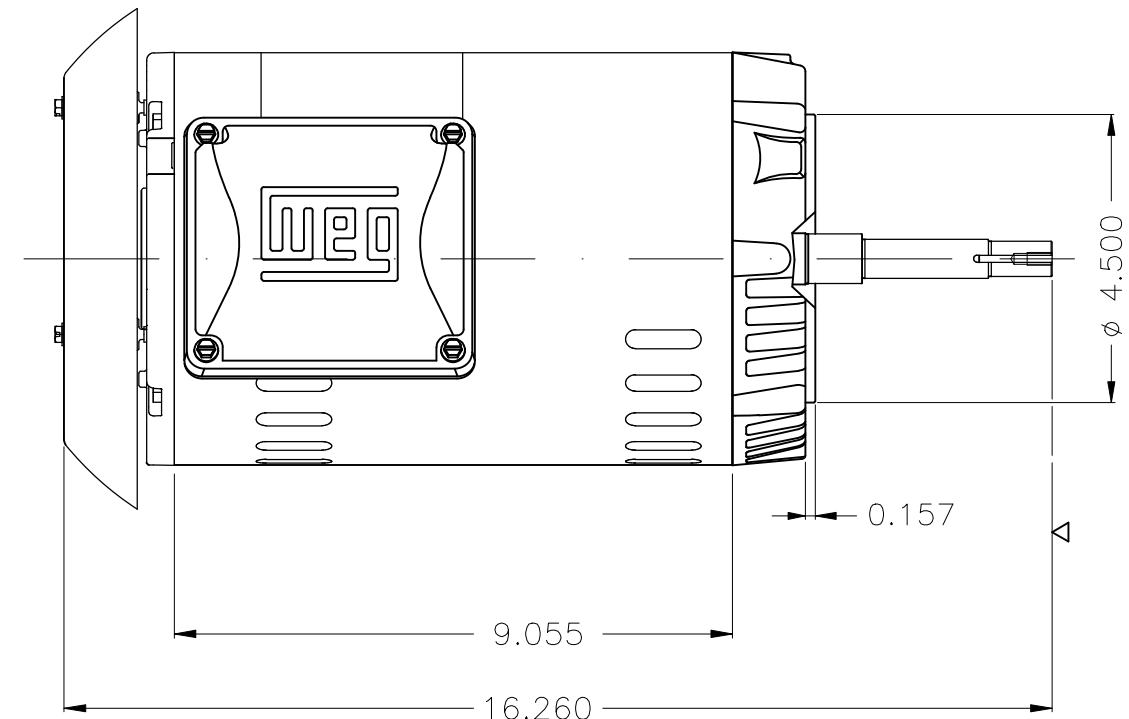
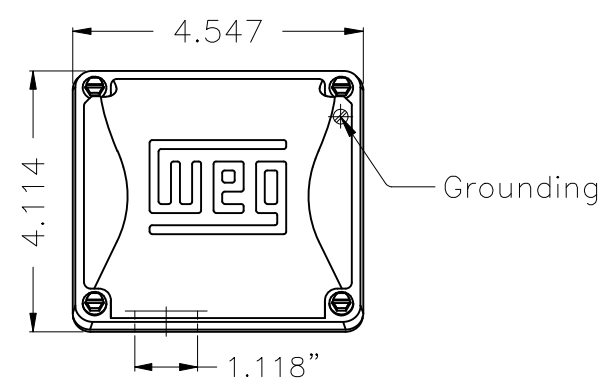
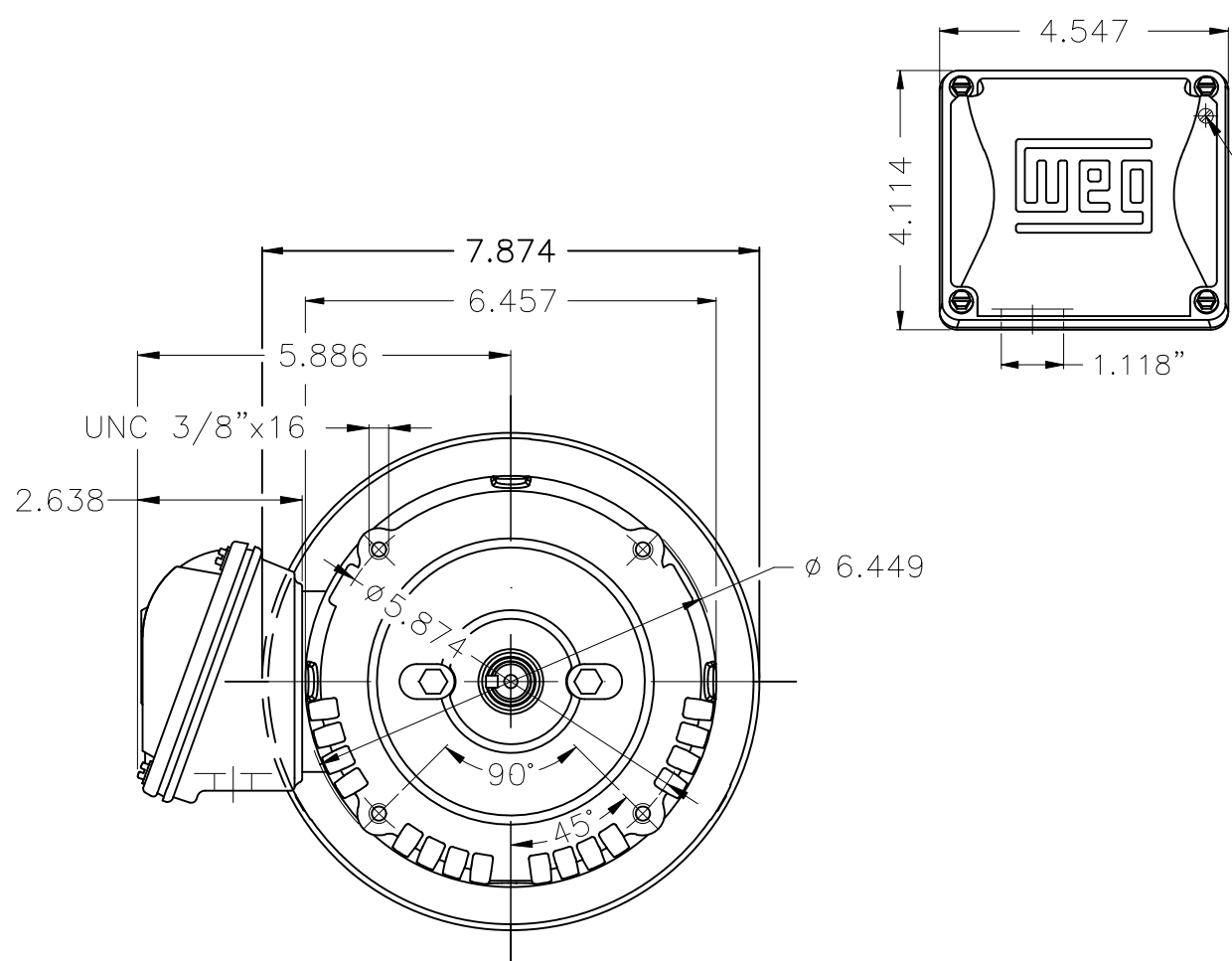


1 2 3 4 5 6

A
B
C
D
E



EUNC 3/8"-16 WEG WPR-7309

Color Munsell N 1 matte black
 Painting plan 207N
 Mounting W-6/V18R(D)

ECM	LOC	SUMMARY OF MODIFICATIONS	EXECUTED	CHECKED	RELEASED	DATE	VER
EXECUTED	HYBRISUSER	THREE PH. MOTOR ROLLED STEEL JM NEMA PREM. EFF.					00
CHECKED		FRAME 143/5JM IP21 ODP					
RELEASED							
REL. DATE	WMO	Jaragua do Sul	Product Engineering	WDD	00	1 / 1	

1.5 HP 04 Poles 60 Hz

PREVIEW SHEET



Dimensions in inches XME A3