

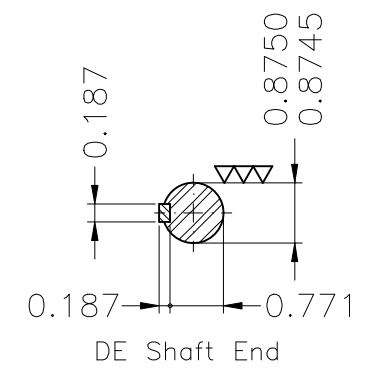
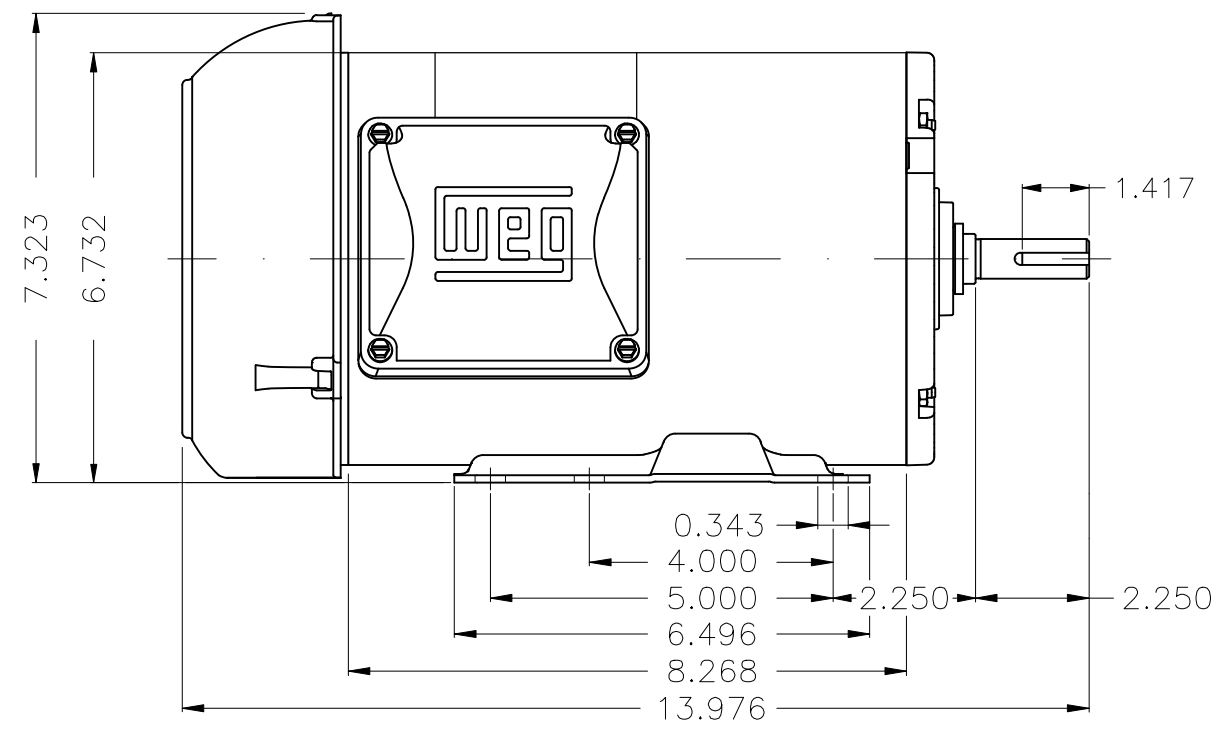
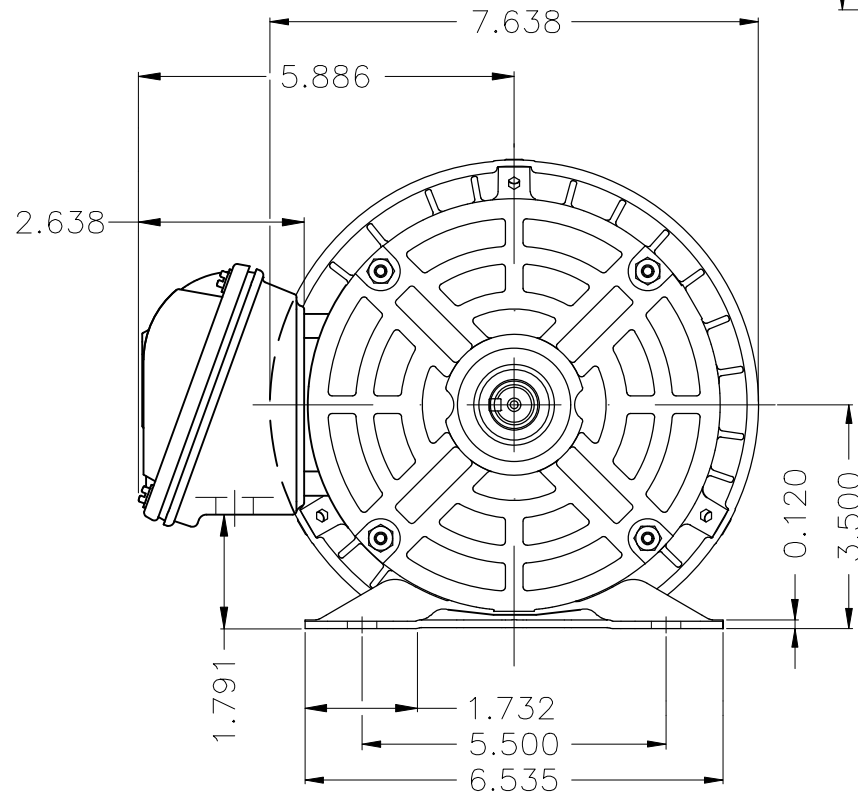
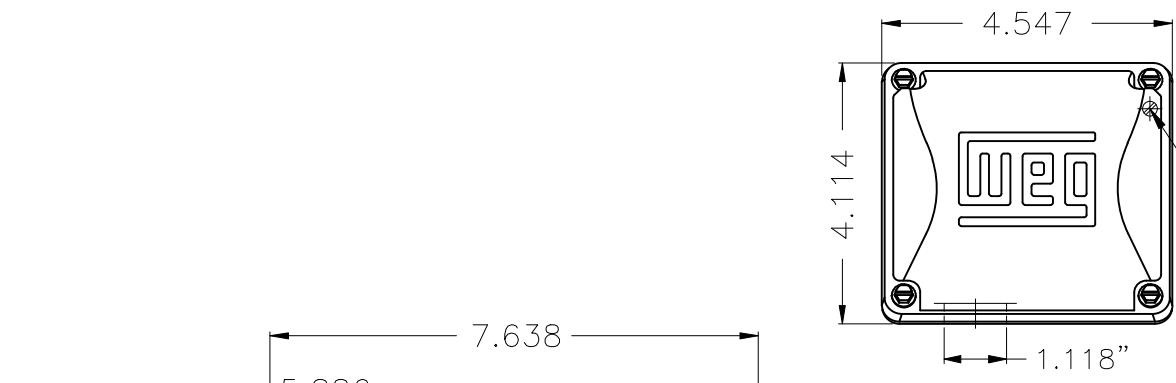
A

B

C

D

E



Color Munsell N 1 matte black
 Painting plan 207N
 Mounting F-1/B3R(D)

ECM	LOC	SUMMARY OF MODIFICATIONS	EXECUTED	CHECKED	RELEASED	DATE	VER
EXECUTED	HYBRISUSER	THREE PH. MOTOR ROLLED STEEL NEMA PREM. EFF.					
CHECKED		FRAME 143/5T IP55 TEFC					
RELEASED							
REL. DATE	WMO	Jaragua do Sul	Product Engineering				

PREVIEW
 WDD 00



2 HP 02 Poles 60 Hz

A