

1 2 3 4 5 6

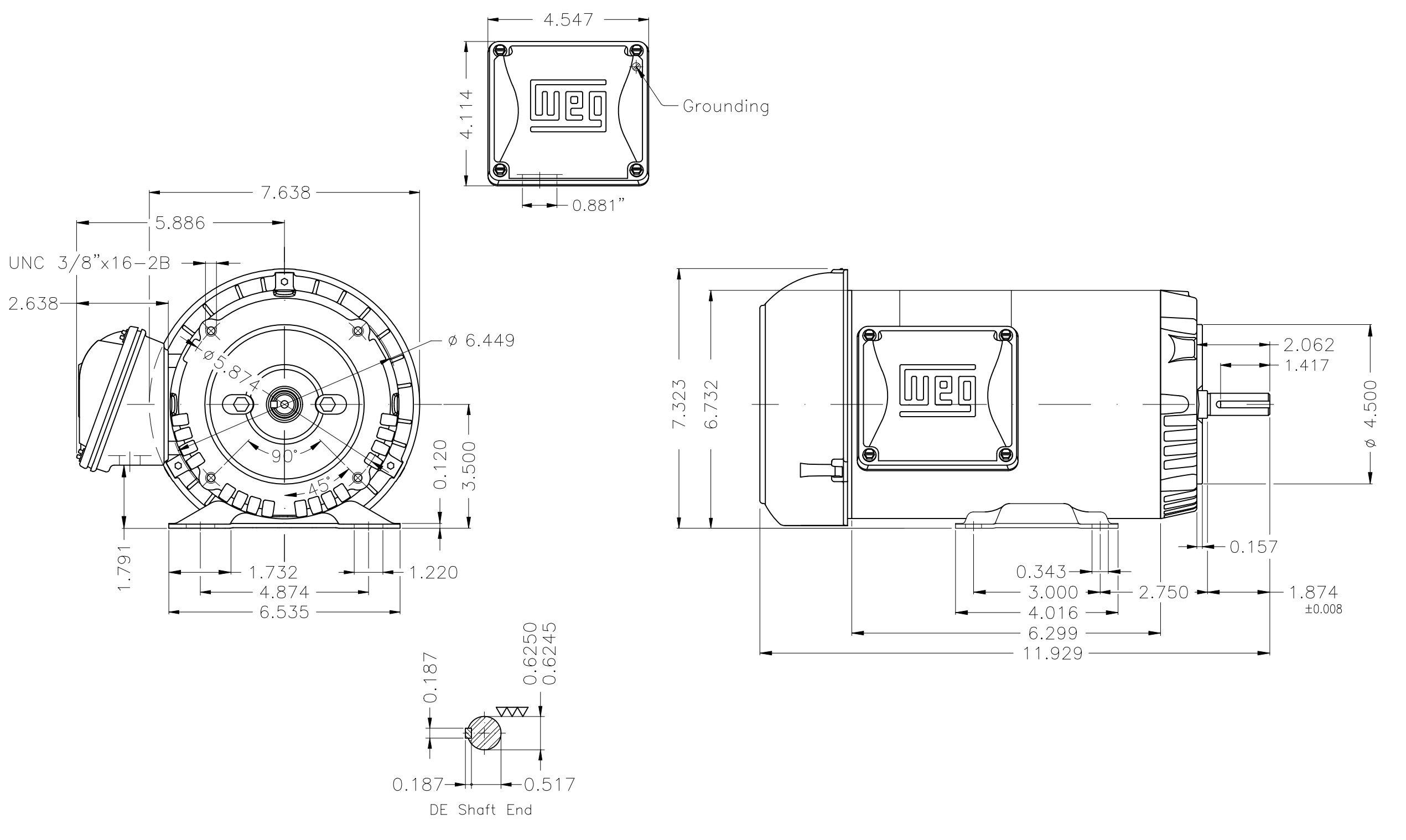
A

B

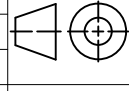

C

D

E



Color Munsell N 1 matte black
 Painting plan 207N
 Mounting B34D

						HYBRISUSER						00
ECM	LOC	SUMMARY OF MODIFICATIONS				EXECUTED	CHECKED	RELEASED	DATE	VER		
EXECUTED	HYBRISUSER	 THREE PH. MOTOR ROLLED STEEL FRAME 56C IP55 TEFC				PREVIEW WDD 00						
CHECKED											SHEET	
RELEASED												
REL. DATE	WMO	Jaragua do Sul		Product Engineering								

1 HP 02 Poles 60 Hz

A