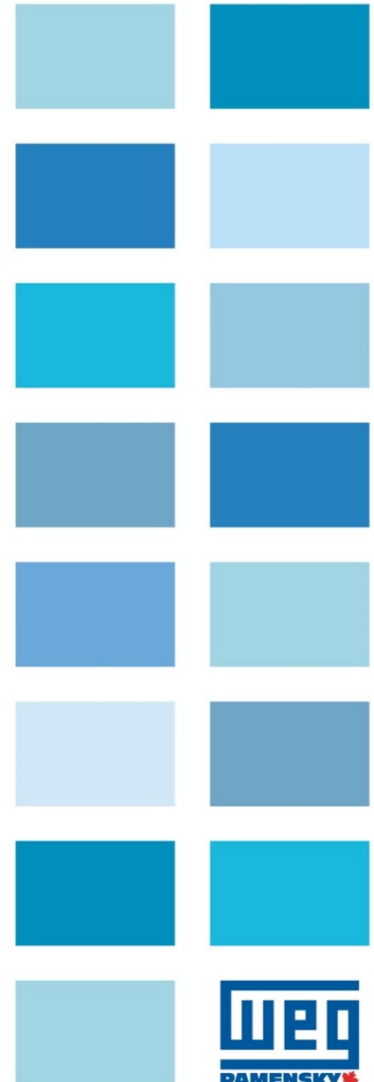


WEG Automation Catalog

LV Variable Frequency Drives and Soft Starters



**Price List for Automation Products
VJP-Drives-Soft Starter-2024-R1**

Controlled Copy

Issued by:
VJ Pamensky Canada Inc.

This catalog will be periodically updated with new and updated pages.
The current version and update packages can be found on our website www.pamensky.com
or can be requested from V.J. Pamensky Canada Inc.

**Approved and Valid from: (year/month/day)
2023-12-01**

1. **EXCLUSIVE CONDITIONS OF SALE:** Any Price List, Quotation or Order is subject to terms and conditions contained here-in and supersedes Buyer's Specification and/or Purchase Order. Seller will recognize no modifications or additions to these conditions unless specifically agreed to in writing by Seller. Failure of Seller to object to provisions contained in the Purchaser's Order or any other communication from Buyer shall not be construed as a waiver of these conditions or an acceptance of any such provisions. If Buyer places an Order with Seller based on Seller's Quotation, whether the Order is placed in writing or orally, then the Quotation (including Seller's terms and conditions) and the Seller's acceptance of the Order will constitute the entire contract between Buyer and Seller with respect to the subject matter thereof notwithstanding any terms and conditions inconsistent with these terms and conditions on any of Buyer's forms or correspondence. All orders, sales contracts and other documentation between Buyer and Seller shall become effective only when approved and accepted by the Seller.
2. **PRICES:** Prices quoted herein are based upon presently prevailing duties, rates of duties, taxes, special assessments, monetary exchange and freight as applied to materials and/or equipment purchased or imported by Seller. Seller reserves the right to amend the price(s) in this quotation where variations in regulated costs such as rate of duties, taxes, special assessments, monetary exchange and freight between the date of quotation and date of delivery are deemed significant by the Seller.
3. **TERMS OF PAYMENT:** The standard terms of payment are Net-30 Days from date of invoice, with a service and interest charge of 1-1/2% per month (18% per annum) on past due invoices applying. If Buyer defaults in any payment when due or refuses to accept delivery or becomes insolvent, the Seller at its option, without prejudice to other lawful remedies, may defer deliveries or cancel the remainder of the order.
Equipment held for Buyer shall be at the risk and expense of Buyer and payment shall become due from the date of which Seller is prepared to make shipment. Printed terms on face of our Quotation will take precedence.
4. **TITLE:** Title to the goods covered by this Quotation and the right to immediate possession thereof shall remain with the Seller until the purchase price is paid in full and Buyer hereby grants to Seller a security interest in the equipment (and all proceeds thereof) to secure the Buyer's obligation to pay for the equipment.
5. **CERTIFICATIONS AND TAXES:** Prices do not include sales, use or other similar federal, state or local taxes. Any certification for special duty or tax rate must be supplied at time of order. A service charge will be applied on any credit notes necessitated by the Buyer not providing proper certification at time of order.
Exception from taxes extended to the buyer does not prejudice our right to charge the buyer with taxes plus any penalties assessed at any subsequent date should the taxing authorities determine that the equipment is taxable.
6. **PENALTIES AND DELAYS:** No penalty clause of any kind, in any specification of order will be effective unless specifically approved in writing by Seller. Seller shall not be liable for any damage, expenses or consequential damages caused by delays beyond Seller's control including without limiting the generality of the foregoing; fire, strike, act of the Buyer, restriction by civil or military authority, Act of God, transportation failures or inability to obtain labor, materials or manufacturing facilities. In the event of any such delay, the date of delivery shall be extended for a period equal to the time lost by reason of the delay.
7. **CANCELLATION:** Orders once accepted are not subject to cancellation unless on terms that will indemnify Seller against loss and/or expenses incurred.
8. **SHIPMENT:** Unless otherwise specified in writing, all shipments are EX-WORKS (Incoterms 2000) Seller's shop, in which case Seller is not responsible for damage, apparent or concealed, or loss in transit and all claims on "collect" shipments must be made by Buyer direct to the carrier. Seller will assist insofar as practical in securing satisfactory adjustment to reasonable claims.
9. **ACCEPTANCE, INSPECTION:** By virtue of Buyer issuing an order for equipment in accordance with this Quotation, he also accepts Seller's Terms and Conditions as part of the order. Buyer shall inspect the goods immediately upon the receipt thereof. All claims by Buyer (including claims for shortages), except only those provided for under the WARRANTY clauses below, must be asserted in writing by Buyer within a 10 day period or they are waived. If this contract involves partial performances, all such claims must be asserted within a 10-day period for each partial performance.
10. **WARRANTY:**
 - (a) The total length of this warranty is of twelve months from the supply date by WEG or authorized dealer, proven by means of the purchase invoice of the equipment, and limited to twenty four months from the product manufacturing date.
 - (b) Services. WEG warrants Services against defects in workmanship for a period of ninety (90) days from the date of completion of such Services.

(c) Parts. If applicable to the scope of WEG's work hereunder, WEG further warrants: (i) spare parts and components sold by WEG against defects in material and workmanship for a period of twelve (12) months after shipment and (ii) repaired or refurbished parts repaired by WEG against defects in material and workmanship for a period of ninety (90) days after shipment, unless repaired pursuant to an original Equipment warranty, in which case the repair is warranted for the time remaining of the original warranty period.

(d) Software. If software developed by WEG is furnished hereunder, WEG's sole warranty of such software is that, except as specified below, it will execute in accordance with WEG's published specification when properly installed. The warranty period shall be one (1) year from date of shipment. If the software does not meet the above warranty and if the Purchaser promptly notifies WEG and provides the description of the error and complete information about the manner of its discovery, WEG shall thereupon correct any defect or error by (at its option): (i) modifying or making available to the Purchaser instructions for modifying any erroneous program; or (ii) making available at WEG's facility corrected or replacement programs. The foregoing warranty shall not apply to defects resulting from unauthorized modification or Purchaser-supplied software or interfacing. WEG does not warrant that the functions contained in the software will operate in combinations which may be selected for use by the Purchaser, or that the software products are free from errors in the nature of what is commonly categorized by the computer industry as "bugs".

(e) Remedies. Should any failure to conform with the applicable warranties appear during the specified periods under normal and proper use and provided the Equipment has been properly stored, installed, operated and maintained, and if given prompt written notice by Purchaser, WEG shall correct such nonconformity by, at its option, (i) repair or replacement of the nonconforming Equipment or parts thereof, or (ii) refund of the purchase price of the nonconforming Equipment or parts thereof, or (iii) in the case of nonconforming Services, provide equivalent Services at the job site or refund the price therefor. Repairs or replacements pursuant to warranty shall not renew or extend the applicable original warranty period, provided however, that any such repairs or replacement of Equipment or parts thereof shall be warranted for the time remaining of the original warranty period or 30 days, whichever is longer. Purchaser shall be responsible for providing free and clear working access to repair or replace the defect or nonconforming Equipment, including de-energizing and reenergizing the Equipment and any necessary disassembly and re-assembly of other equipment or structures, and for providing transportation to and from repair or factory facility, all of which shall be at Purchaser's risk and expense.

(f) These warranties shall not apply to any Equipment or parts thereof which (i) have been improperly repaired or altered; (ii) have been subjected to misuse, negligence or accident; (iii) have been used in a manner contrary to WEG's instructions; (iv) are comprised of materials provided or design stipulated by Purchaser; (v) are used equipment; or (vi) result from normal wear and tear.

(g) THE FOREGOING WARRANTIES ARE EXCLUSIVE AND IN LIEU OF ALL OTHER WARRANTIES OF QUALITY AND PERFORMANCE, WRITTEN, ORAL OR IMPLIED, AND V.J. Pamensky Canada Inc. HEREBY DISCLAIMS ALL OTHER WARRANTIES INCLUDING ANY IMPLIED WARRANTIES OF MERCHANTABILITY OR FITNESS FOR A PARTICULAR PURPOSE OR ARISING FROM COURSE OF DEALING OR USAGE OF TRADE.

(h) Correction of nonconformities in the manner and for the period of time provided above shall be Purchaser's sole and exclusive remedy for any failure of WEG/ V.J. Pamensky Canada Inc to comply with its obligations hereunder.

11. **DAMAGES:** Subject to the balance of the provisions of this clause, Seller shall only be liable for the cost of replacement of any defective Equipment provided hereunder. Seller shall not be liable to the Buyer in any circumstances for any incidental, special, consequential or indirect damages, including but not limited to loss of profits or revenue, loss of use of equipment and facilities, and claims by or payments to customers, suppliers or other parties who have a relationship with the Buyer. This disclaimer applies to consequential damages based upon any cause of action whatever asserted against Seller including causes of action arising out of any breach of warranty, express or implied, guarantee, product liability, negligence, tort, or any other cause pertaining to the performance or non-performance of this Quotation or contract by Seller and the Buyer hereby waives any right to claim punitive, aggravated or exemplary damages with respect to a breach of this Quotation or the performance or non-performance of the Equipment, and whether such claim is founded in contract, tort or otherwise. Seller shall not be responsible for losses or damages arising out of the negligence of the Buyer, its' employees, agents or third-party contractors. In no event will Sellers maximum liability to the Purchaser in connection with the Equipment, including without limitation resulting from breach of contract or any other performance or non-performance of this Quotation or contract, exceed the amount of the purchase price paid to Seller hereunder.

12. **Nuclear Liability:** In the event that the Equipment or parts sold hereunder are to be used in a nuclear facility, the Purchaser shall, prior to such use, arrange for insurance or a governmental indemnity protecting WEG against liability and hereby releases and agrees to indemnify WEG and its suppliers from any nuclear damage, which in any manner arises out of a nuclear incident, whether alleged to be due, in whole or in part, to the negligence of WEG or its suppliers.

13. Software License:

(a) If software is furnished as part of the sale made hereunder, Purchaser obtains a limited license to use certain proprietary software identified in WEG's proposal, subject to the following: (i) the software may be used only in conjunction with equipment specified by WEG, (ii) the software is to be kept strictly confidential, (iii) the software shall not be copied, reverse engineered, or modified, (iv) the Purchaser's right to use the software shall become effective upon delivery and shall continue until the related equipment is no longer used by the Purchaser or until otherwise terminated hereunder, and (v) the rights to use the software are non-exclusive, and nontransferable, except with WEG's prior written consent.

(b) Nothing contained in this Agreement shall be deemed to convey any title to or ownership in the software or the intellectual property contained therein in whole or in part to Purchaser, nor to designate the software a "work made for hire" under the Copyright Act, nor to confer upon any person who is not a named party to this Agreement any right or remedy under or by reason of this Agreement. In the event of termination of this License, Purchaser shall immediately cease using the software and without retaining any copies, notes or excerpts thereof, return to WEG the software and all copies thereof and shall remove all machine readable software from all of Purchaser's storage media.

14. RETURNING EQUIPMENT: No equipment is to be returned without first obtaining from Seller shipping instructions and a return material identification number and agreement in writing as to terms. Returned equipment, which Seller elects to accept for credit is subject to reasonable handling and restocking charge commensurate with the policy of the manufacturer plus all charges incurred by Seller. Seller is not responsible for equipment that is returned without complying with the foregoing. Equipment is returned at the expense and risk of the Buyer. Returned equipment must be in the original packaging and unused.

15. PRIVILEGE AND LIEN RIGHTS: Seller retains all lien rights with regard to the equipment in accordance with any Builder's Lien Act, Mechanic's Lien Act, Builder and Works Act or other legislation passed pursuant to or in replacement thereof.

16. BACK CHARGES: Seller will accept no back charges for any reason without Seller's written permission to incur such back charges.

17. TECHNICAL ADVICE: Any technical advice furnished or recommendation made by Seller or any representative of Seller concerning any use or application of any of the goods is believed to be reliable, but SELLER MAKES NO WARRANTY, EXPRESSED OR IMPLIED, and ON RESULTS TO BE OBTAINED. BUYER ASSUMES ALL RESPONSIBILITY FOR LOSS OR DAMAGE RESULTING FROM THE HANDLING OR USE OF ANY OF THE GOODS.

18. INVALIDITY: If any provision of this contract shall be found to be invalid or illegal by reason of any determination made by a court of competent jurisdiction or any governmental authority having jurisdiction in the circumstances, such provisions shall be severed from this contract to the extent of such invalidity or illegality and the validity, legality or enforceability of the remaining provisions of this contract shall not in any way be affected or impaired thereby. Waiver of any default shall not be a waiver of any other or subsequent default.

19. GST NUMBER: V.J. Pamensky Canada Inc. GST Number is 105553648.

20. APPLICABLE LAWS AND FORUM: This contract shall be interpreted in accordance with and shall be governed by the laws of the Province of Ontario, and the parties agree that any disputes hereunder or with respect to this quotation or the resulting contract between the parties shall be determined exclusively by the Courts in the Province of Ontario, and the parties hereby expressly attorn to the exclusive jurisdiction of the Courts in the Province of Ontario.

21. LANGUAGE: The parties acknowledge that they have required that this contract and all related documents be prepared in English. Les parties reconnaissent avoir exigé que la présente convention et tous les documents connexes soient rédigés en anglais. If the Buyer requests, a French version of this agreement will be used.

22. LIABILITY: Notwithstanding anything to the contrary herein contained, the Liability of the Seller under any circumstances whatsoever and without exception shall be limited to the Purchase Price of the particular item forming part of the goods.

23. Entire Agreement: This Agreement constitutes the entire agreement between V.J. Pamensky Canada Inc. and Purchaser, and there are no agreements, understandings, restrictions, warranties, or representations between V.J. Pamensky Canada Inc. and Purchaser other than those set forth or provided for herein.

CFW100	9
CFW100 - Specifications	10
CFW100 - Codification	11
CFW100 - Standard and Accessories	12
CFW320	13
CFW320 - Specifications	14
CFW320 - Codification	15
CFW320 - Standard and DC voltage feeding	16
CFW320 - Accessories	17
CFW500	18
CFW500 - Specifications	19
CFW500 - Codification	20
CFW500 - Standard	21
CFW500 - RFI Filter	22
CFW500 - Standard + IOS Plug-in	23
CFW500 - RFI Filter + IOS Plug-in	24
CFW500 - Standard + IOS Plug-in - T5	25
CFW500 - NEMA 4X + RFI Filter	26
CFW500 – NEMA 4X + RFI Filter + IOS Plug-in	27
CFW500 – NEMA 4X Standard + RFI Filter	28
CFW500 – NEMA 4X Standard + RFI Filter + IOS Plug-in	29
CFW500 – NEMA 4X – T5	30
CFW500 - Accessories	31
CFW11	32
CFW11 - Specifications	33
CFW11 - Codification	34
CFW11 - Standard & Safety Stop - T2	35
CFW11 - Standard - T4	36
CFW11 - Safety Stop - T4	37
CFW11 - NEMA 1	38
CFW11 - NEMA 1 with Safety Stop	39
CFW11 - Dynamic Braking Transistor with RFI filter DC voltage feeding	40
CFW11 - Standard - T5	41
CFW11 - NEMA 1 - T5	42
CFW11 - Standard - T6	43
CFW11 - IP55	44
CFW11 - IP55 and Disconnect Switch	45
CFW11 - Accessories	46
CFW11 - Accessories	47
CFW501	48
CFW501 - Specifications	49
CFW501 - Codification	50
CFW501 - RFI Filter	51
CFW501 - NEMA 1	52
CFW501 - Accessories	53

CFW701	54
CFW701 - Specifications	55
CFW701 - Codification	56
CFW701 - RFI Filter	57
CFW701 - NEMA 1 with RFI Filter	58
CFW701 - RFI Filter - T5	59
CFW701 - NEMA 1 with RFI Filter - T5	60
CFW701 - IP55 with RFI Filter	61
CFW701 - IP55 with RFI Filter and Disconnect Switch	62
CFW701 - Accessories	63
<hr/>	
MW500	64
MW500 - Specifications	65
MW500 - Codification	66
MW500 - Standard, Disconnect Switch (56mm)	67
MW500 - Standard, Disconnect Switch and RFI Filter (56mm)	68
MW500 - Standard, Disconnect Switch + IOS Plug-in (56mm)	69
MW500 - Standard, Disconnect Switch and RFI Filter + IOS Plug-in (56mm)	70
MW500 - Standard, Disconnect Switch (70 and 110mm)	71
MW500 - Standard, Disconnect Switch and RFI Filter (70 and 110mm)	72
MW500 - Standard, Disconnect Switch + IOS Plug-in (70 and 110mm)	73
MW500 - Standard, Disconnect Switch and RFI Filter + IOS Plug-in (70 and 110mm)	74
MW500 - Accessories	75
<hr/>	
SSW05	76
SSW05 - Specifications	77
SSW05 - Codification	78
SSW05 - Plus and Accessories	79
<hr/>	
SSW07	80
SSW07 - Specifications	81
SSW07 - Codification	82
SSW07 - Heavy Load Starts	83
SSW07 - Accessories	84
<hr/>	
SSW900	85
SSW900 - Specifications	86
SSW900 - Codification	87
SSW900 - Standard 220-575V - 230V - 3AC	88
SSW900 - Standard 220-575V - 460V - 3AC	89
SSW900 - Standard 220-575V - 575V - 3AC	90
SSW900 - Standard 380-690V - 690V - 3AC	91
SSW900 - Accessories	92
<hr/>	
SCA06	93
SCA06 - Specifications	94
SCA06 - Codification	95
SCA06 - Standard and RFI Filter	96
SCA06 - Accessories	97
SCA06 - Resolver, Braking Cables and encoder simulator	98
SCA06 - Power Cables	99
SCA06 - Power Cables	100
<hr/>	
SWA	101
SWA - Specifications	102
SWA - Codification	103
SWA - 200V	104
SWA - 200V	105
SWA - 400V	106
SWA - 400V	107

AFW11	108
AFW11 - Specification	109
AFW11 - Codification	110
AFW11 - Standard - 380-480V	111
AFW11 - Standard - 500-600V	112
AFW11 - RFI Filter + STO - 660-690V	113
AFW11M	114
AFW11M - Specifications	115
AFW11M - Codification	116
AFW11M - Complete Panel Solution + Main Parts	117
ASW900	118
ASW900 - Specifications	119
ASW900 - Codification	120
ASW900 - 220-575V + 360-690V	121
AFW11 RB	122
AFW11 RB - Specifications	123
AFW11 RB - Codification	124
AFW11 RB - Regenerative Braking	125
Appendix	
CFW11 - Frame Size A IP21 / Frame Size A with the NEMA 1 kit KN1A-01 / Frame Size B IP21	126
CFW11 - Frame Size B w/ NEMA 1 kit KN1B-01 / Frame Size C IP21 / Frame Size C w/ NEMA 1 kit KN1C-01	127
CFW11 - Frame Size D IP20/NEMA 1 / Frame Size E IP20 / Frame Size E with the NEMA 1 kit KN1E-01	128
CFW11 - Frame Size E with NEMA 1 kit KN1E-02 / Frame Size F	129
CFW11 - Frame Size G / Frame Size H	130
CFW11 - Frame Size B IP55 / Frame Size C IP55 / Frame Size D IP55	131
CFW11 - Frame Size E IP55	132

CFW100 is a Variable Frequency Drive suitable for low power range motors. Compact and user-friendly, this drive is designed to attend simple industrial applications and home appliances, such as mixers/agitators, fitness equipment, car wash and swimming pool pumps.



Certifications:



Technical data:

- Single phase power supply.
- Voltage range: 110-127Vac and 200-240Vac single-phase.
- Current / Power range: up to 7.3 Amps / 1,5kW (2HP)
- Control mode: scalar (V/Hz) or voltage vector VVV.
- Switching frequency: 2.5 to 15kHz.
- Overload capacity: 150% for 60sec every 10min.
- Degree of protection: IP20.
- Operating temperature: 0 to 50°C.
- Altitude: 0 to 1000m.
up to 4000m with current derating (1% for every 100m above 1000m).
- Humidity: 5 to 95% non-condensing.
- Built-in HMI supplied as standard.

- I/O connections:

	Std	IOAR	IOADR	IOA	IOD
Digital inputs	4	-	-	-	4
Digital outputs	-	-	-	-	-
Relay outputs	-	1	1	-	-
Analog inputs	-	1	1	1	-
Analog outputs	-	-	-	1	-

- Fieldbus:

RS232 WEGbus	RS485 WEGbus	Modbus RTU	Modbus TCP	Profibus DP	Profibus DPV1	Profinet	CANopen	DeviceNet	EtherNet/IP	BACnet	Bluetooth	InfraRed
N/A	N/A	CFW100-CRS485	N/A	N/A	N/A	N/A	CFW100-CCAN	CFW100-CCAN	N/A	CFW100-CRS485	Under request	CFW100-IOADR

Accessories:

- USB Communication Module
- Flash Memory
- Remote Keypad
- Wall Mounting Kit
- Footprint RFI Filter
- Potentiometer Module

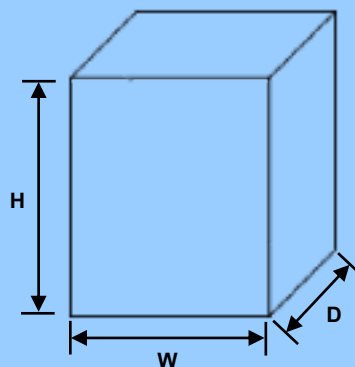
CFW100

Mini Variable Frequency Drive

Product and Series	Frame size	Model Identification			Degree of Protection	Special Hardware	Special Firmware	
		Rated current	No. of phases power supply	Rated voltage				
CFW100	A	01P6	S	2	20	-	-	
CFW100	A	01P6 = 1.6	S = single-phase					
	B	02P6 = 2.6	1 = 110 ...127V					
	C	04P2 = 4.2	2 = 200...240V					
	D	06P0 = 6	20 = IP20					
		07P3 = 7.3	Blank = standard (no special hardware) Hx = special hardware version X					
			Blank = standard (no special firmware) Sx = special firmware version X					

Dimensions and weight (without packaging):

Frame size	Height mm (in)	Width mm (in)	Depth mm (in)	Weight kg (lbs)
Without footprint RFI Filter				
A	100 (3.94)	55 (2.17)	129 (5.08)	0.48 (1.06)
B	117 (4.61)	55 (2.17)	129 (5.08)	0.57 (1.26)
C	125.6 (4.94)	55 (2.17)	129 (5.08)	0.61 (1.34)
D	133.5 (5.26)	65.1 (2.56)	129 (5.08)	0.7 (1.54)
With footprint RFI Filter				
A	160.5 (6.32)	55 (2.17)	171 (6.73)	-
B	160.5 (6.32)	55 (2.17)	171 (6.73)	-
C	160.5 (6.32)	55 (2.17)	171 (6.73)	-
D	160.5 (6.32)	65.1 (2.56)	171 (6.73)	-



CFW100 Variable Frequency Drives

CFW100 - Standard - 110~127V & 200~240V

Material Number	Part Number	Rated Current	Motor ⁽¹⁾	Frame Size	Max. ⁽²⁾ Temp.	Brake Chopper	List Price
		A	HP				
Power Supply 127V - 1AC / Output / Motor 230V - 3AC							
14248219	CFW100 A 01P6 S1 20 G2	1.6	0.33	A	50°C	No	\$497
14248224	CFW100 B 02P6 S1 20 G2	2.6	0.5	B	50°C	No	\$553
14870193	CFW100 D 04P2 S1 20 G2 ⁽³⁾	4.2	1	D	50°C	No	\$593
14870194	CFW100 D 06P0 S1 20 G2 ⁽³⁾	6	1.5	D	50°C	No	\$731
230V - 1AC							
14248096	CFW100 A 01P6 S2 20 G2	1.6	0.33	A	50°C	No	\$453
14248097	CFW100 B 02P6 S2 20 G2	2.6	0.5	B	50°C	No	\$500
14248218	CFW100 C 04P2 S2 20 G2	4.2	1	C	50°C	No	\$523
14870191	CFW100 D 06P0 S2 20 G2 ⁽³⁾	6	1.5	D	50°C	No	\$650
14870192	CFW100 D 07P3 S2 20 G2 ⁽³⁾	7.3	2	D	50°C	No	\$779

(1) Motor power ratings are based on: WEG - 4 poles - UL508-C - 230V/60Hz

(2) Maximum surrounding air temperature without current derating

(3) Frame size D items are not UL/cUL listed

CFW100 - RFI Filter Accessory

Material Number	Part Number	CFW100 Model	List Price
14433941	CFW100-KFABC - S1 Footprint RFI Filter	CFW100 A 01P6 S1 20 G2 CFW100 B 02P6 S1 20 G2	\$131
13128410	CFW100-KFABC - S2 Footprint RFI Filter	CFW100 A 01P6 S2 20 G2 CFW100 B 02P6 S2 20 G2 CFW100 C 04P2 S2 20 G2	\$131
15406167	CFW100-KFD-S1 Footprint RFI Filter	CFW100 D 04P2 S1 20 G2 CFW100 D 06P0 S1 20 G2	\$147
15406163	CFW100-KFD-S2 Footprint RFI Filter	CFW100 D 06P0 S2 20 G2 CFW100 D 07P3 S2 20 G2	\$147

CFW100 - Accessories

Material Number	Part Number	Description	List Price
11710626	CFW100-CRS485	RS485 Communication Module	\$131
11722753	CFW100-CUSB	USB Communication Module (with 2m cable)	\$202
13014693	CFW100-MMF	Flash Memory Module (with 1m cable)	\$333
11710650	CFW100-KHMIR	Kit for remote keypad (with CFW100-CRS485 + 3m cable)	\$404
12293350	CFW100-IOAR	Expansion Module (1 AI and 1 DO)	\$119
12293349	CFW100-CCAN	CANopen and DeviceNet Communication Module	\$219
12474952	CFW100-IOADR	InfraRed Communication Module + IR remote control	\$363
12888249	CFW100-IOA	Expansion Module (1 AI and 1 AO)	\$142
12888248	CFW100-IOD	Expansion Module (4 DI - PNP or NPN)	\$119
14409627	CFW100-IOP	Potentiometer Module	\$131

CFW320 Easy Drive

The CFW320 variable speed drive is a high-performance VSD for induction motors. It is ideal for applications on equipment requiring precise control and easy operation. In a compact size, It features contactor-style electrical installation, selectable WEG vector control (VVW) or scalar control (V/F), built-in operating interface (HMI), SoftPLC, free WPS programming software and plug-in accessories that may be added to provide extended functionalities, making it a flexible solution bringing value for money.



- Certifications:



CFW320

Easy Drive

Technical data:

- Single and three-phase power supply.
- Voltage range: 110-127Vac and 200-240Vac for single-phase models.
200-240Vac, 380-480Vac for three-phase models.
280-340Vdc for DC-link input models.
- Current / Power range: up to 15.2 Amps / 7.5 kW (10 HP)
- Control mode: scalar (V/Hz) or voltage vector VVW.
- Switching frequency: 2.5 to 15kHz.
- Overload capacity: 150% for 60sec every 10min
- Degree of protection: IP20.
- Operating temperature: 0 to 50°C. 40°C for T4 models
up to 60°C (50°C for T4 models) with current derating (2% for each 1°C above nominal rating).
- Altitude: 0 to 1000m
up to 4000m with current derating (1% for every 100m above 1000m)
- Humidity: 5 to 90% non-condensing.
- Integrated brake chopper for frame size B (not available for size A). For T4 please check dedicated model.
- Local keypad supplied as standard.

- I/O connections:							
	Std	IOAR	IODR	IOAENC	IOADR	IOADR-D	IODF
Digital inputs	4		4				
Digital outputs							
Relay Outputs	1	3	3		3	3	
Analogue inputs	1	1		1	1	1	
Analogue outputs		1		2			
Frequency inputs							3
Frequency outputs							3
Infrared and NTC					1	1	
Encoder input				1			

- Fieldbus:										
RS232 WEGbus	RS485 WEGbus	Modbus RTU	Modbus TCP	Profibus DP	Profibus DPV1	Profinet	CANopen	DeviceNet	EtherNet/ IP	BACnet
CFW320-CRS232	CFW320-CRS485	CFW320-CRS485	CFW320-CETH	CFW320-CPDP	CFW320-CPDP	NA	CFW320-CCAN	CFW320-CCAN	CFW320-CETH	CFW320-CRS485

Accessories:

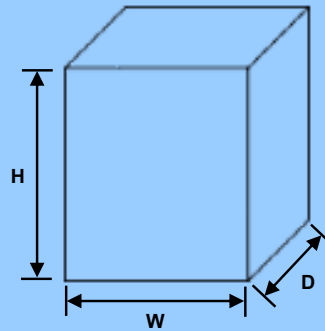
- External HMI
- Flash Memory
- Plug in modules
- RFI filter

CFW320 Easy Drive

Product and Series	Model Identification				Braking	Degree of Protection	Special Hardware	Special Firmware
	Frame Size	Rated Current	No. of phases power supply	Rated Voltage				
CFW320	A	01P6	T	2	NB	20	-	-
CFW320	A	01P1 = 1.1	S = single-phase					
	B	01P6 = 1.6	B = single/three-phase					
	C	01P8 = 1.8	T = three-phase					
		02P6 = 2.6	D = DC power supply					
		03P5 = 3.5	1 = 110...127V					
		04P2 = 4.2	2 = 200...240V					
		04P8 = 4.8	3 = 280...340Vdc					
		06P0 = 6.0	4 = 380...480Vac					
		06P5 = 6.5	NB = without braking chopper					
		07P3 = 7.3	DB = braking chopper					
		08P2 = 8.2	20 = IP20					
		10P0 = 10	Blank = standard hardware					
		12P0 = 12	Hx = Special hardware					
		15P0 = 15.0	Blank = standard firmware					
	15P2 = 15.2	Sx = special firmware						

- Dimensions and weight (without packaging):

Frame size	Height (mm)	Width (mm)	Depth (mm)	Weight (kg)
Without footprint RFI Filter				
A	158 (6.22)	70 (2.76)	149 (5.87)	0.9 (1.98)
B	199 (7.83)	70 (2.76)	159 (6.26)	1.34 (2.95)
C	214 (8.43)	89 (3.5)	164 (6.46)	1.5 (3.31)
With footprint RFI Filter				
A	196 (7.72)	70 (2.76)	191 (7.52)	1.3 (2.87)
B	237 (9.33)	70 (2.76)	201 (7.91)	1.8 (3.97)
C	253 (9.96)	89 (3.5)	208 (8.19)	2.0 (4.41)



Variable Speed Drives

CFW320 - Standard - 110~127V & 200~240V & 380~480V

Part Number	Product	Rated Current	Motor ⁽¹⁾	Frame Size	Max. ⁽²⁾ Temp.	Brake Chopper	List Price
		A	HP				
Power Supply 127V - 1AC / Output / Motor 230V - 3AC							
15890638	CFW320 A 01P6 S1 NB20	1.6	0.33	A	50°C	No	\$569
15890639	CFW320 A 02P6 S1 NB20	2.6	0.5	A	50°C	No	\$620
15890640	CFW320 A 04P2 S1 NB20	4.2	1	A	50°C	No	\$660
15890641	CFW320 A 06P0 S1 NB20	6	1.5	A	50°C	No	\$797
230V - 1AC							
15890642	CFW320 A 01P6 S2 NB20	1.6	0.33	A	50°C	No	\$516
15890644	CFW320 A 02P6 S2 NB20	2.6	0.5	A	50°C	No	\$564
15890645	CFW320 A 04P2 S2 NB20	4.2	1	A	50°C	No	\$599
15890646	CFW320 A 06P0 S2 NB20	6	1.5	A	50°C	No	\$725
15890647	CFW320 A 07P3 S2 NB20	7.3	2	A	50°C	No	\$853
230V - 3AC							
15890699	CFW320 A 01P6 T2 NB20	1.6	0.33	A	50°C	No	\$1,018
15890700	CFW320 A 02P6 T2 NB20	2.6	0.5	A	50°C	No	\$592
15890701	CFW320 A 04P2 T2 NB20	4.2	1	A	50°C	No	\$630
15890702	CFW320 A 06P0 T2 NB20	6	1.5	A	50°C	No	\$760
15890704	CFW320 A 07P3 T2 NB20	7.3	2	A	50°C	No	\$898
15890698	CFW320 B 10P0 B2 DB20	10	3	B	50°C	Yes	\$1,018
15890705	CFW320 B 15P2 T2 DB20	15.2	5	B	50°C	Yes	\$1,280
460V - 3AC							
15893231	CFW320 A 01P1 T4 NB20	1.1	0.5	A	40°C	No	\$739
15893232	CFW320 A 01P8 T4 NB20	1.8	0.75	A	40°C	No	\$776
15893234	CFW320 A 02P6 T4 NB20	2.6	1	A	40°C	No	\$844
15893235	CFW320 A 03P5 T4 NB20	3.5	2	A	40°C	No	\$936
15893236	CFW320 A 04P8 T4 NB20	4.8	3	A	40°C	No	\$1,090
15893237	CFW320 B 06P5 T4 NB20	5.6	3	B	40°C	No	\$1,380
15893561	CFW320 B 08P2 T4 NB20	7.6	5	B	40°C	No	\$1,469
15893562	CFW320 C 10P0 T4 NB20	8.3	5	C	40°C	No	\$1,565
15893563	CFW320 C 12P0 T4 NB20	11	7.5	C	40°C	No	\$1,863
15893564	CFW320 C 15P0 T4 NB20	14	10	C	40°C	No	\$2,323
15893671	CFW320 B 01P1 T4 DB20	1.1	0.5	B	40°C	Yes	\$803
15893672	CFW320 B 01P8 T4 DB20	1.8	0.75	B	40°C	Yes	\$840
15893673	CFW320 B 02P6 T4 DB20	2.6	1	B	40°C	Yes	\$908
15893674	CFW320 B 03P5 T4 DB20	3.5	2	B	40°C	Yes	\$1,001
15893750	CFW320 B 04P8 T4 DB20	4.8	3	B	40°C	Yes	\$1,155
15893751	CFW320 B 06P5 T4 DB20	5.6	3	B	40°C	Yes	\$1,400
15893753	CFW320 B 08P2 T4 DB20	7.6	5	B	40°C	Yes	\$1,489
15893755	CFW320 C 10P0 T4 DB20	8.3	5	C	40°C	Yes	\$1,586
15893853	CFW320 C 12P0 T4 DB20	11	7.5	C	40°C	Yes	\$1,884
15893854	CFW320 C 15P0 T4 DB20	14	10	C	40°C	Yes	\$2,344

CFW320 - Special Hardware with DC voltage feeding - 280~340Vdc

Input 280~340Vdc / Motor 230V - 3AC							
15890707	CFW320 A 01P6 D3 NB20	1.6	0.33	A	50°C	No	\$492
15890749	CFW320 A 02P6 D3 NB20	2.6	0.5	A	50°C	No	\$537
15890750	CFW320 A 04P2 D3 NB20	4.2	1	A	50°C	No	\$572
15890751	CFW320 A 06P0 D3 NB20	6	1.5	A	50°C	No	\$690
15890753	CFW320 A 07P3 D3 NB20	7.3	2	A	50°C	No	\$809
15890698	CFW320 B 10P0 B2 DB20	10	3	B	50°C	Yes	\$1,018
15890705	CFW320 B 15P2 T2 DB20	15.2	5	B	50°C	Yes	\$1,279

(1) Motor power ratings are based on: WEG - 4 poles - UL508-C - 230V/60Hz - 460V/60Hz

(2) Maximum surrounding air temperature without current derating

Variable Speed Drives

CFW320 - Accessories

Part Number	Product	Slot	Description	List Price
Communication Modules				
16047141	CFW320-CRS232	1	RS-232 serial communication module (Modbus-RTU)	\$130
16047140	CFW320-CRS485	1	RS-485 serial communication module (Modbus-RTU)	\$130
16047144	CFW320-CCAN	1	CAN interface module (CANopen/DeviceNet)	\$157
16047208	CFW320-CPDP	1	Profibus DP & DP-V1 interface module	\$464
16047139	CFW320-CUSB	1	USB communication module + 2m cable	\$137
16047209	CFW320-CETH	1	Modbus TCP and Ethernet/IP communication module	\$568
I/O Expansion Modules				
16047096	CFW320-IOP	1	Potentiometer reference module	\$137
16047089	CFW320-IODR	2	IODR expansion module - Insulated inputs (NPN or PNP)	\$170
16046977	CFW320-IOAR	2	IOAR expansion module (1AI, 1AO and 3RO)	\$223
16047092	CFW320-IOADR	2	IOADR expansion module (1 PTC, 3RO and 1 infrared input) Simple remote control with battery, infrared sensor and NTC sensor included	\$328
16047095	CFW320-IOADR-D	2	IOADR expansion module (1 PTC, 3RO and 1 infrared input) Complete remote control with battery and DISPLAY, infrared sensor and NTC sensor included	\$380
16046971	CFW320-IOAENC	2	Encoder module - Incremental Encoder (A/A - B/B) +5Vdc@100 mA power supply, max frequency 400 kHz	\$227
16046973	CFW320-IODF	2	IODF expansion module (3DFI and 3DFO)	\$180
Flash Memory Module				
13014693	MMF-uDrives	-	Flash memory module (with 1m cable)	\$330
RFI Filter ⁽¹⁾				
16423413	CFW320-KFA-S1-S2	-	RFI Filter accessory for CFW320 110V-240V frame size "A"	\$141
16423862	CFW320-KFB-S2	-	RFI Filter accessory for CFW320 200V-240V frame size "B"	\$165
16047216	CFW320-KFA-T2	-	RFI Filter accessory for CFW320 200V-240V frame size "A"	\$260
16047260	CFW320-KFB-T2	-	RFI Filter accessory for CFW320 200V-240V frame size "B"	\$320
16047263	CFW320-KFA-T4	-	RFI Filter accessory for CFW320 380V-480V frame size "A"	\$260
16047265	CFW320-KFB-T4	-	RFI Filter accessory for CFW320 380V-480V frame size "B"	\$320
16047266	CFW320-KFC-T4	-	RFI Filter accessory for CFW320 380V-480V frame size "C"	\$340
Remote Keypad				
16047211	CFW320-KHMIR	1	Kit for remote keypad (with CFW320-CRS485 + 3m cable)	\$404

(1) CFW320 RFI filters are under UL certification process.

The CFW500 variable frequency drive is an industry purpose drive designed to deliver flexible and user friendly interface. Several accessories (I/O's, STO/SS1, communication modules) can easily be incorporated to the drive via a plug and play technology bringing simplicity to the installation.



Certifications:



Technical data:

- Single and three-phase power supply.
- Voltage range: 200-240Vac for single-phase models.
200-240Vac, 380-480Vac and 500-600V for three-phase models.
- Current / Power range: up to 211 Amps / 110 kW (150 HP)
- Control mode: scalar (V/Hz), VVV, open loop vector control, closed loop with encoder and VVV PM (not available for IP20 frame A)
- Switching frequency: 2.5 to 15kHz.
- Overload capacity: ND = Normal Duty: 150% during 3 seconds; 110% during 60 seconds.
HD = Heavy Duty: 200% during 3 seconds; 150% during 60 seconds.
- Degree of protection: IP20 and IP66 / NEMA Type 4X.
- Operating temperature: IP20 frames A to E: -10 to 50°C if not installed side-by-side or with NEMA1, RFI Filter and STO/SS1 models.
IP20 frames A to E: -10 to 40°C if installed side-by-side or with NEMA1, RFI Filter and STO/SS1 models.
IP20 frames F: 0 °C to 40 °C.
IP20 frame G: 0 °C to 45 °C if not installed with STO/SS1.
IP20 frame G: 0 °C to 40 °C if installed with STO/SS1.
IP66 frames A and B: -10 °C to 40 °C.
It's possible to operate on higher temperatures with current derating (check user manual)
- Altitude: 0 to 1000m
up to 4000m with current derating (1% for every 100m above 1000m)
- Humidity: 5 to 95% non-condensing.
- Integrated brake chopper for IP20 models frames B to F, and IP66 models frames A and B.
- Built-in PID controller.
- Built-in HMI.

- I/O connections:

	IOS IOS-PNP CUSB	IOD	IOAD	IOR-B	CCAN CPDP / 2	CRS232	CRS485-B	CEMB-TCP CETH-IP	CEPN-IO	ENC
Digital inputs	4	8	6	5	2	2	4	2	2	5
Digital outputs	1	4	3	1	1	1	1	1	1	1
Relay Outputs	1	1	1	4	1	1	2	1	1	3
Analog inputs	1	1	3	1	1	1	2	1	1	1
Analog outputs	1	1	2	1	1	1	1	1	1	1
RS 485	1	1	1	1	1	1	2	1	1	1
24 VDC	1	1	1	1	1	1	1	1	1	1
Encoder	-	-	-	-	-	-	-	-	-	1

- Fieldbus:

RS232 WEGbus	RS485 WEGbus	Modbus RTU	Modbus TCP	Profibus DP	Profibus DPV1	Profinet	CANopen	DeviceNet	EtherNet/IP	BACnet
CFW500-CRS232	CFW500-CRS485-B	Any plug-in module	CFW500- CEMB-TCP	CFW500-CPDP / 2	CFW500-CPDP / 2	CFW500-CEPN-IO	CFW500-CCAN	CFW500-CCAN	CFW500-CETH-IP	Any plug-in module with the CFW500 G2 version

Accessories:

- IP21/NEMA 1 kit
- Flash Memory
- Plug in modules
- External HMI
- STO/SS1: Cat. 4 / PLe acc. to EN ISO 13849-1; SIL 3 / SIL CL 3 acc. to EN 61800-5-2 / IEC 61508 / EN 62061

Optionals:

- RFI filter

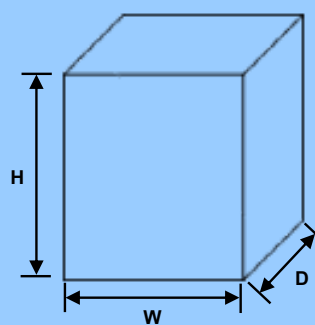
Special Versions:

- IP66 / NEMA Type 4X enclosure

Product and Series	Model Identification				Braking	Degree of Protection	Conducted Emission Level	Disconnect Switch	Safety	Special Hardware/Firmware	Generation
	Frame Size	Rated Current	No. of phases power supply	Rated Voltage							
CFW500	A	01P6	T	4	NB	20	C2	-	-	-	G2
CFW500	A	01P0 = 1.0	S = single-phase								
	B	01P6 = 1.6	B = single/three-ph.								
	C	01P7 = 1.7	T = three-phase								
	D	02P6 = 2.6	2 = 200...240Vac								
	E	03P0 = 3.0	4 = 380...480Vac								
	F	04P3 = 4.3	5 = 500...600Vac								
	G	06P1 = 6.1	NB = without braking chopper								
		06P5 = 6.5	DB = with braking chopper								
		07P0 = 7.0	20 = IP20								
		07P3 = 7.3	N1 = NEMA1 Enclosure								
		09P6 = 9.6	66 = IP66 / NEMA Type 4X								
		10P0 = 10	Blank = without RFI filter								
		12P0 = 12	C2 = According to category 2 of IEC 61800-3 standard								
		14P0 = 14	C3 = According to category 3 of IEC 61800-3 standard								
		16P0 = 16	Blank = without disconnect switch								
		24P0 = 24	DS = with disconnect switch								
		28P0 = 28	Blank = without STO/SS1 function								
		31P0 = 31	Y2 = with STO/SS1 function								
		33P0 = 33	Blank = with IOS plug-in module								
		47P0 = 47	H00 = Standard hardware without plug-in module								
	49P0 = 49	Sxx = Special firmware									
	56P0 = 56	Blank = Generation 1									
	77P0 = 77	G2 = Generation 2									
	88P0 = 88										
	0105 = 105										
	0142 = 142										
	0145 = 145										
	0180 = 180										
	0211 = 211										

Dimensions and weight (without packaging):

IP20				
Frame size	Height mm (in)	Width mm (in)	Depth mm (in)	Weight kg (lbs)
A	190 (7.48)	76 (2.99)	150 (5.91)	0.8 (1.76)
B	200 (7.87)	101 (3.98)	161 (6.34)	1.2 (2.65)
C	210 (8.27)	135.2 (5.32)	165.1 (6.5)	2.0 (4.41)
D	306.6 (12.07)	180 (7.09)	166.5 (6.56)	4.3 (9.48)
E	350 (13.78)	220 (8.66)	191.5 (7.54)	10.0 (22.05)
F	550 (21.65)	300 (11.81)	254 (10)	26.0 (56.32)
G	675 (26.57)	335.3 (13.2)	314 (12.36)	52 (114.64)
IP66 with disconnect switch				
A	265 (10.43)	165 (6.5)	252.5 (9.94)	10 (22.05)
B	340 (13.39)	215 (8.46)	252.9 (9.96)	12 (26.5)



Variable Frequency Drives

CFW500 - Standard (without plug-in module) - 200~240V & 380~480V

Material Number	Part Number	Rated Current		Motor ⁽¹⁾		Frame Size	Max. ⁽²⁾ Temp.	Brake Chopper	List Price
		ND	HD	ND	HD				
		A		HP					
230V - 1AC									
15571886	CFW500 A 01P6 S2 NB20H00G2	-	1.6	-	0.33	A	50°C	No	\$569
15571950	CFW500 A 02P6 S2 NB20H00G2	-	2.6	-	0.5	A	50°C	No	\$588
15571954	CFW500 A 04P3 S2 NB20H00G2	-	4.3	-	1	A	50°C	No	\$604
15572624	CFW500 A 07P0 S2 NB20H00G2	-	7	-	2	A	50°C	No	\$654
230V - 1 or 3AC									
15571878	CFW500 A 01P6 B2 NB20H00G2	-	1.6	-	0.33	A	50°C	No	\$588
15571880	CFW500 A 02P6 B2 NB20H00G2	-	2.6	-	0.5	A	50°C	No	\$609
15571882	CFW500 A 04P3 B2 NB20H00G2	-	4.3	-	1	A	50°C	No	\$633
15574749	CFW500 B 07P3 B2 DB20H00G2	-	7	-	2	B	50°C	Yes	\$883
15575083	CFW500 B 10P0 B2 DB20H00G2	-	10	-	3	B	50°C	Yes	\$928
230V - 3AC									
15572627	CFW500 A 07P0 T2 NB20H00G2	-	7	-	2	A	50°C	No	\$721
15572691	CFW500 A 09P6 T2 NB20H00G2	-	9.6	-	3	A	50°C	No	\$842
15575230	CFW500 B 16P0 T2 DB20H00G2	-	16	-	5	B	50°C	Yes	\$1,227
15575702	CFW500 C 24P0 T2 DB20H00G2	-	24	-	7.5	C	50°C	Yes	\$1,843
15575728	CFW500 D 28P0 T2 DB20H00G2	-	28	-	10	D	50°C	Yes	\$2,554
15576434	CFW500 D 33P0 T2 DB20H00G2	-	33	-	10	D	50°C	Yes	\$3,328
15576541	CFW500 D 47P0 T2 DB20H00G2	-	47	-	15	D	50°C	Yes	\$4,087
15577120	CFW500 E 56P0 T2 DB20H00G2	70	56	25	20	E	50°C	Yes	\$5,085
15342637	CFW500 F 77P0 T2 DB20H00G2	77	64	25	20	F	40°C	Yes	\$6,579
15342764	CFW500 F 88P0 T2 DB20H00G2	88	75	30	25	F	40°C	Yes	\$7,680
15342915	CFW500 F 0105 T2 DB20H00G2	105	88	40	30	F	40°C	Yes	\$9,918
15655592	CFW500 G 0145 T2 NB20H00G2	145	115	50	40	G	45°C	No	\$13,722
15655659	CFW500 G 0180 T2 NB20H00G2	180	145	60	50	G	45°C	No	\$19,180
15655665	CFW500 G 0211 T2 NB20H00G2	211	180	75	60	G	45°C	No	\$25,194
15654829	CFW500 G 0145 T2 DB20H00G2	145	115	50	40	G	45°C	Yes	\$14,698
15655341	CFW500 G 0180 T2 DB20H00G2	180	145	60	50	G	45°C	Yes	\$20,536
15655342	CFW500 G 0211 T2 DB20H00G2	211	180	75	60	G	45°C	Yes	\$26,973
460V - 3AC									
15572820	CFW500 A 01P0 T4 NB20H00G2	-	1	-	0.33	A	50°C	No	\$782
15572911	CFW500 A 01P6 T4 NB20H00G2	-	1.6	-	0.75	A	50°C	No	\$806
15573715	CFW500 A 02P6 T4 NB20H00G2	-	2.6	-	1	A	50°C	No	\$858
15573820	CFW500 A 04P3 T4 NB20H00G2	-	4.3	-	2	A	50°C	No	\$1,016
15573824	CFW500 A 06P1 T4 NB20H00G2	-	6.1	-	3	A	50°C	No	\$1,197
15575572	CFW500 B 02P6 T4 DB20H00G2	-	2.6	-	1	B	50°C	Yes	\$906
15575606	CFW500 B 04P3 T4 DB20H00G2	-	4.3	-	2	B	50°C	Yes	\$1,071
15575666	CFW500 B 06P5 T4 DB20H00G2	-	6.5	-	3	B	50°C	Yes	\$1,253
15575700	CFW500 B 10P0 T4 DB20H00G2	-	10	-	5	B	50°C	Yes	\$1,489
15575708	CFW500 C 14P0 T4 DB20H00G2	-	14	-	10	C	50°C	Yes	\$2,081
15575712	CFW500 C 16P0 T4 DB20H00G2	-	16	-	10	C	50°C	Yes	\$2,406
15576923	CFW500 D 24P0 T4 DB20H00G2	-	24	-	15	D	50°C	Yes	\$3,135
15577022	CFW500 D 31P0 T4 DB20H00G2	-	31	-	20	D	50°C	Yes	\$3,870
15577403	CFW500 E 39P0 T4 DB20H00G2	45	39	30	25	E	50°C	Yes	\$5,033
15577456	CFW500 E 49P0 T4 DB20H00G2	58.5	49	40	30	E	50°C	Yes	\$6,409
15734062	CFW500 F 77P0 T4 DB20H00G2	77	61	60	40	F	40°C	Yes	\$8,619
15734065	CFW500 F 88P0 T4 DB20H00G2	88	73	60	50	F	40°C	Yes	\$10,413
15734120	CFW500 F 0105 T4 DB20H00G2	105	88	75	60	F	40°C	Yes	\$11,956
15448496	CFW500 G 0142 T4 NB20H00G2	142	115	100	75	G	45°C	No	\$14,827
15448497	CFW500 G 0180 T4 NB20H00G2	180	142	150	100	G	45°C	No	\$21,713
15448538	CFW500 G 0211 T4 NB20H00G2	211	180	150	150	G	45°C	No	\$25,320
15448375	CFW500 G 0142 T4 DB20H00G2	142	115	100	75	G	45°C	Yes	\$15,875
15448377	CFW500 G 0180 T4 DB20H00G2	180	142	150	100	G	45°C	Yes	\$23,244
15448490	CFW500 G 0211 T4 DB20H00G2	211	180	150	150	G	45°C	Yes	\$27,103

Overload Capacity: ND = Normal Duty: 150% during 3 seconds; 110% during 60 seconds.

HD = Heavy Duty: 200% during 3 seconds; 150% during 60 seconds.

ND overload capacity available for frame size E, from firmware version v.3.7x

(1) Motor power ratings are based on: WEG - 4 poles - UL508-C - 230V/60Hz - 460V/60Hz

(2) Maximum surrounding air temperature without current derating

Variable Frequency Drives

CFW500 - RFI Filter (without plug-in module) - 200~240V & 380~480V

Material Number	Part Number	Rated Current		Motor ⁽¹⁾		Frame Size	Max. ⁽²⁾ Temp.	Brake Chopper	List Price
		ND	HD	ND	HD				
		A		HP					
230V - 1AC									
15571884	CFW500 A 01P6 S2 NB20C2H00G2	-	1.6	-	0.33	A	40°C	No	\$1,134
15571948	CFW500 A 02P6 S2 NB20C2H00G2	-	2.6	-	0.5	A	40°C	No	\$1,170
15571952	CFW500 A 04P3 S2 NB20C2H00G2	-	4.3	-	1	A	40°C	No	\$1,199
15572569	CFW500 A 07P0 S2 NB20C3H00G2	-	7	-	2	A	40°C	No	\$1,289
15575109	CFW500 B 07P3 S2 DB20C2H00G2	-	7.3	-	2	B	40°C	Yes	\$1,686
15575156	CFW500 B 10P0 S2 DB20C2H00G2	-	10	-	3	B	40°C	Yes	\$1,768
230V - 3AC									
15575715	CFW500 D 28P0 T2 DB20C3H00G2	-	28	-	10	D	40°C	Yes	\$2,942
15576430	CFW500 D 33P0 T2 DB20C3H00G2	-	33	-	10	D	40°C	Yes	\$3,830
15576437	CFW500 D 47P0 T2 DB20C3H00G2	-	47	-	15	D	40°C	Yes	\$4,703
15577070	CFW500 E 56P0 T2 DB20C3H00G2	70	56	25	20	E	40°C	Yes	\$5,349
15342630	CFW500 F 77P0 T2 DB20C3H00G2	77	64	25	20	F	40°C	Yes	\$6,791
15342762	CFW500 F 88P0 T2 DB20C3H00G2	88	75	30	25	F	40°C	Yes	\$7,923
15342914	CFW500 F 0105 T2 DB20C3H00G2	105	88	40	30	F	40°C	Yes	\$10,226
15654803	CFW500 G 0145 T2 NB20C3H00G2	145	115	50	40	G	45°C	No	\$14,153
15654804	CFW500 G 0180 T2 NB20C3H00G2	180	145	60	50	G	45°C	No	\$19,782
15654805	CFW500 G 0211 T2 NB20C3H00G2	211	180	75	60	G	45°C	No	\$25,978
15654766	CFW500 G 0145 T2 DB20C3H00G2	145	115	50	40	G	45°C	Yes	\$15,156
15654798	CFW500 G 0180 T2 DB20C3H00G2	180	145	60	50	G	45°C	Yes	\$21,179
15654799	CFW500 G 0211 T2 DB20C3H00G2	211	180	75	60	G	45°C	Yes	\$27,809
460V - 3AC									
15572818	CFW500 A 01P0 T4 NB20C2H00G2	-	1	-	0.33	A	40°C	No	\$1,175
15572826	CFW500 A 01P6 T4 NB20C2H00G2	-	1.6	-	0.75	A	40°C	No	\$1,207
15573713	CFW500 A 02P6 T4 NB20C2H00G2	-	2.6	-	1	A	40°C	No	\$1,280
15573717	CFW500 A 04P3 T4 NB20C2H00G2	-	4.3	-	2	A	40°C	No	\$1,504
15573822	CFW500 A 06P1 T4 NB20C3H00G2	-	6.1	-	3	A	40°C	No	\$1,760
15575367	CFW500 B 02P6 T4 DB20C2H00G2	-	2.6	-	1	B	40°C	Yes	\$1,349
15575575	CFW500 B 04P3 T4 DB20C2H00G2	-	4.3	-	2	B	40°C	Yes	\$1,581
15575662	CFW500 B 06P5 T4 DB20C2H00G2	-	6.5	-	3	B	40°C	Yes	\$1,837
15575698	CFW500 B 10P0 T4 DB20C3H00G2	-	10	-	5	B	40°C	Yes	\$2,174
15575705	CFW500 C 14P0 T4 DB20C2H00G2	-	14	-	10	C	40°C	Yes	\$2,648
15575710	CFW500 C 16P0 T4 DB20C2H00G2	-	16	-	10	C	40°C	Yes	\$3,055
15576897	CFW500 D 24P0 T4 DB20C3H00G2	-	24	-	15	D	40°C	Yes	\$4,000
15577019	CFW500 D 31P0 T4 DB20C3H00G2	-	31	-	20	D	40°C	Yes	\$4,724
15577186	CFW500 E 39P0 T4 DB20C3H00G2	45	39	30	25	E	40°C	Yes	\$5,292
15577407	CFW500 E 49P0 T4 DB20C3H00G2	58.5	49	40	30	E	40°C	Yes	\$6,738
15734059	CFW500 F 77P0 T4 DB20C3H00G2	77	61	60	40	F	40°C	Yes	\$8,890
15734067	CFW500 F 88P0 T4 DB20C3H00G2	88	73	60	50	F	40°C	Yes	\$10,742
15734882	CFW500 F 0105 T4 DB20C3H00G2	105	88	75	60	F	40°C	Yes	\$12,330
15180490	CFW500 G 0142 T4 NB20C3H00G2	142	115	100	75	G	45°C	No	\$15,290
15180561	CFW500 G 0180 T4 NB20C3H00G2	180	142	150	100	G	45°C	No	\$22,388
15180563	CFW500 G 0211 T4 NB20C3H00G2	211	180	150	150	G	45°C	No	\$26,108
15180352	CFW500 G 0142 T4 DB20C3H00G2	142	115	100	75	G	45°C	Yes	\$16,375
15180353	CFW500 G 0180 T4 DB20C3H00G2	180	142	150	100	G	45°C	Yes	\$23,968
15180354	CFW500 G 0211 T4 DB20C3H00G2	211	180	150	150	G	45°C	Yes	\$27,947

Overload Capacity: ND = Normal Duty: 150% during 3 seconds; 110% during 60 seconds.

HD = Heavy Duty: 200% during 3 seconds; 150% during 60 seconds.

ND overload capacity available for frame size E, from firmware version v.3.7x

(1) Motor power ratings are based on: WEG - 4 poles - UL508-C - 230V/60Hz - 460V/60Hz

(2) Maximum surrounding air temperature without current derating

Variable Frequency Drives

CFW500 - Standard (with IOS plug-in module built-in) - 200~240V & 380~480V

Material Number	Part Number	Rated Current		Motor ⁽¹⁾		Frame Size	Max. ⁽²⁾ Temp.	Brake Chopper	List Price	
		ND	HD	ND	HD					
		A		HP						
230V - 1AC										
15571885	CFW500 A 01P6 S2 NB20G2	-	1.6	-	0.33	A	50°C	No	\$742	
15571949	CFW500 A 02P6 S2 NB20G2	-	2.6	-	0.5	A	50°C	No	\$762	
15571953	CFW500 A 04P3 S2 NB20G2	-	4.3	-	1	A	50°C	No	\$778	
15572573	CFW500 A 07P0 S2 NB20G2	-	7	-	2	A	50°C	No	\$828	
230V - 1 or 3AC										
15570800	CFW500 A 01P6 B2 NB20G2	-	1.6	-	0.33	A	50°C	No	\$762	
15571879	CFW500 A 02P6 B2 NB20G2	-	2.6	-	0.5	A	50°C	No	\$782	
15571881	CFW500 A 04P3 B2 NB20G2	-	4.3	-	1	A	50°C	No	\$807	
15574655	CFW500 B 07P3 B2 DB20G2	-	7	-	2	B	50°C	Yes	\$1,056	
15575067	CFW500 B 10P0 B2 DB20G2	-	10	-	3	B	50°C	Yes	\$1,100	
230V - 3AC										
15572625	CFW500 A 07P0 T2 NB20G2	-	7	-	2	A	50°C	No	\$895	
15572689	CFW500 A 09P6 T2 NB20G2	-	9.6	-	3	A	50°C	No	\$1,016	
15575202	CFW500 B 16P0 T2 DB20G2	-	16	-	5	B	50°C	Yes	\$1,401	
15575701	CFW500 C 24P0 T2 DB20G2	-	24	-	7.5	C	50°C	Yes	\$2,017	
15575716	CFW500 D 28P0 T2 DB20G2	-	28	-	10	D	50°C	Yes	\$2,728	
15576432	CFW500 D 33P0 T2 DB20G2	-	33	-	10	D	50°C	Yes	\$3,501	
15576540	CFW500 D 47P0 T2 DB20G2	-	47	-	15	D	50°C	Yes	\$4,260	
15577077	CFW500 E 56P0 T2 DB20G2	70	56	25	20	E	50°C	Yes	\$5,259	
15342437	CFW500 F 77P0 T2 DB20G2	77	64	25	20	F	40°C	Yes	\$6,753	
15342760	CFW500 F 88P0 T2 DB20G2	88	75	30	25	F	40°C	Yes	\$7,853	
15342909	CFW500 F 0105 T2 DB20G2	105	88	40	30	F	40°C	Yes	\$10,090	
15655460	CFW500 G 0145 T2 NB20G2	145	115	50	40	G	45°C	No	\$13,896	
15655462	CFW500 G 0180 T2 NB20G2	180	145	60	50	G	45°C	No	\$19,353	
15655589	CFW500 G 0211 T2 NB20G2	211	180	75	60	G	45°C	No	\$25,367	
15654806	CFW500 G 0145 T2 DB20G2	145	115	50	40	G	45°C	Yes	\$14,870	
15654807	CFW500 G 0180 T2 DB20G2	180	145	60	50	G	45°C	Yes	\$20,710	
15654828	CFW500 G 0211 T2 DB20G2	211	180	75	60	G	45°C	Yes	\$27,147	
460V - 3AC										
15572819	CFW500 A 01P0 T4 NB20G2	-	1	-	0.33	A	50°C	No	\$956	
15572908	CFW500 A 01P6 T4 NB20G2	-	1.6	-	0.75	A	50°C	No	\$978	
15573714	CFW500 A 02P6 T4 NB20G2	-	2.6	-	1	A	50°C	No	\$1,032	
15573819	CFW500 A 04P3 T4 NB20G2	-	4.3	-	2	A	50°C	No	\$1,189	
15573823	CFW500 A 06P1 T4 NB20G2	-	6.1	-	3	A	50°C	No	\$1,370	
15575568	CFW500 B 02P6 T4 DB20G2	-	2.6	-	1	B	50°C	Yes	\$1,079	
15575577	CFW500 B 04P3 T4 DB20G2	-	4.3	-	2	B	50°C	Yes	\$1,244	
15575665	CFW500 B 06P5 T4 DB20G2	-	6.5	-	3	B	50°C	Yes	\$1,425	
15575699	CFW500 B 10P0 T4 DB20G2	-	10	-	5	B	50°C	Yes	\$1,662	
15575707	CFW500 C 14P0 T4 DB20G2	-	14	-	10	C	50°C	Yes	\$2,255	
15575711	CFW500 C 16P0 T4 DB20G2	-	16	-	10	C	50°C	Yes	\$2,579	
15576919	CFW500 D 24P0 T4 DB20G2	-	24	-	15	D	50°C	Yes	\$3,307	
15577021	CFW500 D 31P0 T4 DB20G2	-	31	-	20	D	50°C	Yes	\$4,044	
15577211	CFW500 E 39P0 T4 DB20G2	45	39	30	25	E	50°C	Yes	\$5,205	
15577452	CFW500 E 49P0 T4 DB20G2	58.5	49	40	30	E	50°C	Yes	\$6,582	
15733937	CFW500 F 77P0 T4 DB20G2	77	61	60	40	F	40°C	Yes	\$8,791	
15734064	CFW500 F 88P0 T4 DB20G2	88	73	60	50	F	40°C	Yes	\$10,587	
15734119	CFW500 F 0105 T4 DB20G2	105	88	75	60	F	40°C	Yes	\$12,130	
15448492	CFW500 G 0142 T4 NB20G2	142	115	100	75	G	45°C	No	\$15,001	
15448493	CFW500 G 0180 T4 NB20G2	180	142	150	100	G	45°C	No	\$21,887	
15448494	CFW500 G 0211 T4 NB20G2	211	180	150	150	G	45°C	No	\$25,494	
15448371	CFW500 G 0142 T4 DB20G2	142	115	100	75	G	45°C	Yes	\$16,047	
15448372	CFW500 G 0180 T4 DB20G2	180	142	150	100	G	45°C	Yes	\$23,418	
15448373	CFW500 G 0211 T4 DB20G2	211	180	150	150	G	45°C	Yes	\$27,276	

Overload Capacity: ND = Normal Duty: 150% during 3 seconds; 110% during 60 seconds.

HD = Heavy Duty: 200% during 3 seconds; 150% during 60 seconds.

ND overload capacity available for frame size E, from firmware version v.3.7x

(1) Motor power ratings are based on: WEG - 4 poles - UL508-C - 230V/60Hz - 460V/60Hz

(2) Maximum surrounding air temperature without current derating

Variable Frequency Drives

CFW500 - RFI Filter (with IOS plug-in module built-in) - 200~240V & 380~480V

Material Number	Part Number	Rated Current		Motor ⁽¹⁾		Frame Size	Max. ⁽²⁾ Temp.	Brake Chopper	List Price
		ND	HD	ND	HD				
		A		HP					
230V - 1AC									
15571883	CFW500 A 01P6 S2 NB20C2G2	-	1.6	-	0.33	A	40°C	No	\$1,307
15571887	CFW500 A 02P6 S2 NB20C2G2	-	2.6	-	0.5	A	40°C	No	\$1,344
15571951	CFW500 A 04P3 S2 NB20C2G2	-	4.3	-	1	A	40°C	No	\$1,372
15572466	CFW500 A 07P0 S2 NB20C3G2	-	7	-	2	A	40°C	No	\$1,461
15575086	CFW500 B 07P3 S2 DB20C2G2	-	7.3	-	2	B	40°C	Yes	\$1,860
15575113	CFW500 B 10P0 S2 DB20C2G2	-	10	-	3	B	40°C	Yes	\$1,941
230V - 3AC									
15575714	CFW500 D 28P0 T2 DB20C3G2	-	28	-	10	D	40°C	Yes	\$3,114
15575729	CFW500 D 33P0 T2 DB20C3G2	-	33	-	10	D	40°C	Yes	\$4,004
15576435	CFW500 D 47P0 T2 DB20C3G2	-	47	-	15	D	40°C	Yes	\$4,877
15577068	CFW500 E 56P0 T2 DB20C3G2	70	56	25	20	E	40°C	Yes	\$5,523
15342628	CFW500 F 77P0 T2 DB20C3G2	77	64	25	20	F	40°C	Yes	\$6,964
15342761	CFW500 F 88P0 T2 DB20C3G2	88	75	30	25	F	40°C	Yes	\$8,097
15342911	CFW500 F 0105 T2 DB20C3G2	105	88	40	30	F	40°C	Yes	\$10,399
15654800	CFW500 G 0145 T2 NB20C3G2	145	115	50	40	G	45°C	No	\$14,326
15654801	CFW500 G 0180 T2 NB20C3G2	180	145	60	50	G	45°C	No	\$19,954
15654802	CFW500 G 0211 T2 NB20C3G2	211	180	75	60	G	45°C	No	\$26,150
15654761	CFW500 G 0145 T2 DB20C3G2	145	115	50	40	G	45°C	Yes	\$15,329
15654763	CFW500 G 0180 T2 DB20C3G2	180	145	60	50	G	45°C	Yes	\$21,351
15654764	CFW500 G 0211 T2 DB20C3G2	211	180	75	60	G	45°C	Yes	\$27,982
2336									
15572697	CFW500 A 01P0 T4 NB20C2G2	-	1	-	0.33	A	40°C	No	\$1,348
15572825	CFW500 A 01P6 T4 NB20C2G2	-	1.6	-	0.75	A	40°C	No	\$1,380
15573712	CFW500 A 02P6 T4 NB20C2G2	-	2.6	-	1	A	40°C	No	\$1,453
15573716	CFW500 A 04P3 T4 NB20C2G2	-	4.3	-	2	A	40°C	No	\$1,676
15573821	CFW500 A 06P1 T4 NB20C3G2	-	6.1	-	3	A	40°C	No	\$1,932
15575258	CFW500 B 02P6 T4 DB20C2G2	-	2.6	-	1	B	40°C	Yes	\$1,523
15575574	CFW500 B 04P3 T4 DB20C2G2	-	4.3	-	2	B	40°C	Yes	\$1,754
15575660	CFW500 B 06P5 T4 DB20C2G2	-	6.5	-	3	B	40°C	Yes	\$2,010
15575667	CFW500 B 10P0 T4 DB20C3G2	-	10	-	5	B	40°C	Yes	\$2,346
15575703	CFW500 C 14P0 T4 DB20C2G2	-	14	-	10	C	40°C	Yes	\$2,822
15575709	CFW500 C 16P0 T4 DB20C2G2	-	16	-	10	C	40°C	Yes	\$3,228
15576894	CFW500 D 24P0 T4 DB20C3G2	-	24	-	15	D	40°C	Yes	\$4,174
15576927	CFW500 D 31P0 T4 DB20C3G2	-	31	-	20	D	40°C	Yes	\$4,898
15577181	CFW500 E 39P0 T4 DB20C3G2	45	39	30	25	E	40°C	Yes	\$5,465
15577406	CFW500 E 49P0 T4 DB20C3G2	58.5	49	40	30	E	40°C	Yes	\$6,911
15734058	CFW500 F 77P0 T4 DB20C3G2	77	61	60	40	F	40°C	Yes	\$9,063
15734066	CFW500 F 88P0 T4 DB20C3G2	88	73	60	50	F	40°C	Yes	\$10,915
15734121	CFW500 F 0105 T4 DB20C3G2	105	88	75	60	F	40°C	Yes	\$12,503
15180356	CFW500 G 0142 T4 NB20C3G2	142	115	100	75	G	45°C	No	\$15,463
15180488	CFW500 G 0180 T4 NB20C3G2	180	142	150	100	G	45°C	No	\$22,561
15180489	CFW500 G 0211 T4 NB20C3G2	211	180	150	150	G	45°C	No	\$26,281
15180348	CFW500 G 0142 T4 DB20C3G2	142	115	100	75	G	45°C	Yes	\$16,547
15180350	CFW500 G 0180 T4 DB20C3G2	180	142	150	100	G	45°C	Yes	\$24,141
15180351	CFW500 G 0211 T4 DB20C3G2	211	180	150	150	G	45°C	Yes	\$28,121

Overload Capacity: ND = Normal Duty: 150% during 3 seconds; 110% during 60 seconds.

HD = Heavy Duty: 200% during 3 seconds; 150% during 60 seconds.

ND overload capacity available for frame size E, from firmware version v.3.7x

(1) Motor power ratings are based on: WEG - 4 poles - UL508-C - 230V/60Hz - 460V/60Hz

(2) Maximum surrounding air temperature without current derating

Variable Frequency Drives

CFW500 - Standard (without plug-in module) - 500~600V

Material Number	Part Number	Rated Current		Motor ⁽¹⁾		Frame Size	Max. ⁽²⁾ Temp.	Brake Chopper	List Price
		ND	HD	ND	HD				
		A		HP					
575V - 3AC									
12954766	CFW500 C 01P7 T5 DB20H00	-	1.7	-	1	C	50°C	Yes	\$1,393
12954767	CFW500 C 03P0 T5 DB20H00	-	3	-	2	C	50°C	Yes	\$1,473
12954858	CFW500 C 04P3 T5 DB20H00	-	4.3	-	3	C	50°C	Yes	\$1,687
12954859	CFW500 C 07P0 T5 DB20H00	-	7	-	5	C	50°C	Yes	\$1,908
12954860	CFW500 C 10P0 T5 DB20H00	-	10	-	7.5	C	50°C	Yes	\$2,233
12954861	CFW500 C 12P0 T5 DB20H00	-	12	-	10	C	50°C	Yes	\$2,526

CFW500 - Standard (with IOS plug-in module built-in) - 500~600V

575V - 3AC									
12954862	CFW500 C 01P7 T5 DB20	-	1.7	-	1	C	50°C	Yes	\$1,566
12954863	CFW500 C 03P0 T5 DB20	-	3	-	2	C	50°C	Yes	\$1,646
12954864	CFW500 C 04P3 T5 DB20	-	4.3	-	3	C	50°C	Yes	\$1,860
12954865	CFW500 C 07P0 T5 DB20	-	7	-	5	C	50°C	Yes	\$2,081
12954866	CFW500 C 10P0 T5 DB20	-	10	-	7.5	C	50°C	Yes	\$2,406
12954867	CFW500 C 12P0 T5 DB20	-	12	-	10	C	50°C	Yes	\$2,700

Overload Capacity: ND = Normal Duty: 150% during 3 seconds; 110% during 60 seconds.

HD = Heavy Duty: 200% during 3 seconds; 150% during 60 seconds.

(1) Motor power ratings are based on: WEG - 4 poles - UL508-C - 575V/60Hz

(2) Maximum surrounding air temperature without current derating

Variable Frequency Drives

CFW500 NEMA 4X - Standard (without plug-in module) - 200~240V & 380~480V

Material Number	Part Number	Rated Current		Motor ⁽¹⁾		Frame Size	Max. ⁽²⁾ Temp.	Brake Chopper	List Price
		ND	HD	ND	HD				
		A		HP					
230V - 1 or 3AC									
14989334	CFW500 A 01P6 B2 DB66H00G2	-	1.6	-	0.33	A	40°C	Yes	\$993
14990984	CFW500 A 02P6 B2 DB66H00G2	-	2.6	-	0.5	A	40°C	Yes	\$1,024
14991514	CFW500 A 04P3 B2 DB66H00G2	-	4.3	-	1	A	40°C	Yes	\$1,061
14937832	CFW500 A 07P3 B2 DB66H00G2	-	7.3	-	2	A	40°C	Yes	\$1,443
14938040	CFW500 A 10P0 B2 DB66H00G2	-	10	-	3	A	40°C	Yes	\$1,512
230V - 3AC									
14938110	CFW500 A 16P0 T2 DB66H00G2	-	16	-	5	A	40°C	Yes	\$1,975
14975782	CFW500 B 24P0 T2 DB66H00G2	-	24	-	7.5	B	40°C	Yes	\$2,471
14938546	CFW500 B 28P0 T2 DB66H00G2	-	28	-	10	B	40°C	Yes	\$3,405
14938787	CFW500 B 33P0 T2 DB66H00G2	-	33	-	10	B	40°C	Yes	\$4,419
460V - 3AC									
14991839	CFW500 A 01P0 T4 DB66H00G2	-	1	-	0.33	A	40°C	Yes	\$1,289
14992112	CFW500 A 01P6 T4 DB66H00G2	-	1.6	-	0.75	A	40°C	Yes	\$1,326
14975847	CFW500 A 02P6 T4 DB66H00G2	-	2.6	-	1	A	40°C	Yes	\$1,418
14976682	CFW500 A 04P3 T4 DB66H00G2	-	4.3	-	2	A	40°C	Yes	\$1,734
14976812	CFW500 A 06P5 T4 DB66H00G2	-	6.5	-	3	A	40°C	Yes	\$2,012
14977259	CFW500 A 10P0 T4 DB66H00G2	-	10	-	5	A	40°C	Yes	\$2,375
14977390	CFW500 B 14P0 T4 DB66H00G2	-	14	-	10	B	40°C	Yes	\$2,782
14977551	CFW500 B 16P0 T4 DB66H00G2	-	16	-	10	B	40°C	Yes	\$3,172
14977628	CFW500 B 24P0 T4 DB66H00G2	-	24	-	15	B	40°C	Yes	\$4,166
14978545	CFW500 B 31P0 T4 DB66H00G2	-	31	-	20	B	40°C	Yes	\$5,132

CFW500 NEMA 4X - RFI Filter (without plug-in module) - 200~240V & 380~480V

Material Number	Part Number	Rated Current		Motor ⁽¹⁾		Frame Size	Max. ⁽²⁾ Temp.	Brake Chopper	List Price
		ND	HD	ND	HD				
		A		HP					
230V - 1AC									
14990860	CFW500 A 01P6 S2 DB66C3H00G2	-	1.6	-	0.33	A	40°C	Yes	\$1,814
14990986	CFW500 A 02P6 S2 DB66C3H00G2	-	2.6	-	0.5	A	40°C	Yes	\$1,869
14991704	CFW500 A 04P3 S2 DB66C3H00G2	-	4.3	-	1	A	40°C	Yes	\$1,913
14937892	CFW500 A 07P3 S2 DB66C3H00G2	-	7.3	-	2	A	40°C	Yes	\$2,653
14938044	CFW500 A 10P0 S2 DB66C3H00G2	-	10	-	3	A	40°C	Yes	\$2,777
230V - 3AC									
14938648	CFW500 B 28P0 T2 DB66C3H00G2	-	28	-	10	B	40°C	Yes	\$3,875
14938860	CFW500 B 33P0 T2 DB66C3H00G2	-	33	-	10	B	40°C	Yes	\$5,032
460V - 3AC									
14991945	CFW500 A 01P0 T4 DB66C3H00G2	-	1	-	0.33	A	40°C	Yes	\$1,876
14992115	CFW500 A 01P6 T4 DB66C3H00G2	-	1.6	-	0.75	A	40°C	Yes	\$1,925
14975891	CFW500 A 02P6 T4 DB66C3H00G2	-	2.6	-	1	A	40°C	Yes	\$2,141
14976684	CFW500 A 04P3 T4 DB66C3H00G2	-	4.3	-	2	A	40°C	Yes	\$2,492
14976997	CFW500 A 06P5 T4 DB66C3H00G2	-	6.5	-	3	A	40°C	Yes	\$2,881
14977263	CFW500 A 10P0 T4 DB66C3H00G2	-	10	-	5	A	40°C	Yes	\$3,394
14977393	CFW500 B 14P0 T4 DB66C3H00G2	-	14	-	10	B	40°C	Yes	\$3,496
14977553	CFW500 B 16P0 T4 DB66C3H00G2	-	16	-	10	B	40°C	Yes	\$4,023
14977630	CFW500 B 24P0 T4 DB66C3H00G2	-	24	-	15	B	40°C	Yes	\$5,254
14978553	CFW500 B 31P0 T4 DB66C3H00G2	-	31	-	20	B	40°C	Yes	\$6,193

Overload Capacity: ND = Normal Duty: 150% during 3 seconds; 110% during 60 seconds.

HD = Heavy Duty: 200% during 3 seconds; 150% during 60 seconds.

(1) Motor power ratings are based on: WEG - 4 poles - UL508-C - 230V/60Hz - 460V/60Hz

(2) Maximum surrounding air temperature without current derating

Variable Frequency Drives

CFW500 NEMA 4X - Standard (with IOS plug-in module built-in) - 200~240V & 380~480V

Material Number	Part Number	Rated Current		Motor ⁽¹⁾		Frame Size	Max. ⁽²⁾ Temp.	Brake Chopper	List Price	
		ND	HD	ND	HD					
		A		HP						
230V - 1 or 3AC										
14989840	CFW500 A 01P6 B2 DB66G2	-	1.6	-	0.33	A	40°C	Yes	\$1,167	
14990985	CFW500 A 02P6 B2 DB66G2	-	2.6	-	0.5	A	40°C	Yes	\$1,197	
14991517	CFW500 A 04P3 B2 DB66G2	-	4.3	-	1	A	40°C	Yes	\$1,234	
14937890	CFW500 A 07P3 B2 DB66G2	-	7.3	-	2	A	40°C	Yes	\$1,617	
14938041	CFW500 A 10P0 B2 DB66G2	-	10	-	3	A	40°C	Yes	\$1,685	
230V - 3AC										
14938111	CFW500 A 16P0 T2 DB66G2	-	16	-	5	A	40°C	Yes	\$2,147	
14975783	CFW500 B 24P0 T2 DB66G2	-	24	-	7.5	B	40°C	Yes	\$2,645	
14938547	CFW500 B 28P0 T2 DB66G2	-	28	-	10	B	40°C	Yes	\$3,579	
14938859	CFW500 B 33P0 T2 DB66G2	-	33	-	10	B	40°C	Yes	\$4,592	
460V - 3AC										
14991899	CFW500 A 01P0 T4 DB66G2	-	1	-	0.33	A	40°C	Yes	\$1,463	
14992113	CFW500 A 01P6 T4 DB66G2	-	1.6	-	0.75	A	40°C	Yes	\$1,500	
14975888	CFW500 A 02P6 T4 DB66G2	-	2.6	-	1	A	40°C	Yes	\$1,592	
14976683	CFW500 A 04P3 T4 DB66G2	-	4.3	-	2	A	40°C	Yes	\$1,907	
14976814	CFW500 A 06P5 T4 DB66G2	-	6.5	-	3	A	40°C	Yes	\$2,185	
14977261	CFW500 A 10P0 T4 DB66G2	-	10	-	5	A	40°C	Yes	\$2,549	
14977391	CFW500 B 14P0 T4 DB66G2	-	14	-	10	B	40°C	Yes	\$2,956	
14977552	CFW500 B 16P0 T4 DB66G2	-	16	-	10	B	40°C	Yes	\$3,346	
14977629	CFW500 B 24P0 T4 DB66G2	-	24	-	15	B	40°C	Yes	\$4,339	
14978548	CFW500 B 31P0 T4 DB66G2	-	31	-	20	B	40°C	Yes	\$5,306	

CFW500 NEMA 4X - RFI Filter (with IOS plug-in module built-in) - 200~240V & 380~480V

Material Number	Part Number	Rated Current		Motor ⁽¹⁾		Frame Size	Max. ⁽²⁾ Temp.	Brake Chopper	List Price	
		ND	HD	ND	HD					
		A		HP						
230V - 1AC										
14990861	CFW500 A 01P6 S2 DB66C3G2	-	1.6	-	0.33	A	40°C	Yes	\$1,988	
14991099	CFW500 A 02P6 S2 DB66C3G2	-	2.6	-	0.5	A	40°C	Yes	\$2,043	
14991750	CFW500 A 04P3 S2 DB66C3G2	-	4.3	-	1	A	40°C	Yes	\$2,086	
14937894	CFW500 A 07P3 S2 DB66C3G2	-	7.3	-	2	A	40°C	Yes	\$2,827	
14938045	CFW500 A 10P0 S2 DB66C3G2	-	10	-	3	A	40°C	Yes	\$2,950	
230V - 3AC										
14938649	CFW500 B 28P0 T2 DB66C3G2	-	28	-	10	B	40°C	Yes	\$4,049	
14938862	CFW500 B 33P0 T2 DB66C3G2	-	33	-	10	B	40°C	Yes	\$5,205	
460V - 3AC										
14991949	CFW500 A 01P0 T4 DB66C3G2	-	1	-	0.33	A	40°C	Yes	\$2,049	
14992144	CFW500 A 01P6 T4 DB66C3G2	-	1.6	-	0.75	A	40°C	Yes	\$2,099	
14976514	CFW500 A 02P6 T4 DB66C3G2	-	2.6	-	1	A	40°C	Yes	\$2,314	
14976685	CFW500 A 04P3 T4 DB66C3G2	-	4.3	-	2	A	40°C	Yes	\$2,666	
14977059	CFW500 A 06P5 T4 DB66C3G2	-	6.5	-	3	A	40°C	Yes	\$3,055	
14977264	CFW500 A 10P0 T4 DB66C3G2	-	10	-	5	A	40°C	Yes	\$3,567	
14977395	CFW500 B 14P0 T4 DB66C3G2	-	14	-	10	B	40°C	Yes	\$3,668	
14977554	CFW500 B 16P0 T4 DB66C3G2	-	16	-	10	B	40°C	Yes	\$4,196	
14978358	CFW500 B 24P0 T4 DB66C3G2	-	24	-	15	B	40°C	Yes	\$5,426	
14978556	CFW500 B 31P0 T4 DB66C3G2	-	31	-	20	B	40°C	Yes	\$6,366	

Overload Capacity: ND = Normal Duty: 150% during 3 seconds; 110% during 60 seconds.

HD = Heavy Duty: 200% during 3 seconds; 150% during 60 seconds.

(1) Motor power ratings are based on: WEG - 4 poles - UL508-C - 230V/60Hz - 460V/60Hz

(2) Maximum surrounding air temperature without current derating

Variable Frequency Drives

CFW500 NEMA 4X Disconnect Switch - Standard (without plug-in module) - 200~240V & 380~480V

Material Number	Part Number	Rated Current		Motor ⁽¹⁾		Frame Size	Max. ⁽²⁾ Temp.	Brake Chopper	List Price
		ND	HD	ND	HD				
		A		HP					
230V - 1 or 3AC									
14990862	CFW500 A 01P6 B2 DB66DSH00G2	-	1.6	-	0.33	A	40°C	Yes	\$1,127
14991101	CFW500 A 02P6 B2 DB66DSH00G2	-	2.6	-	0.5	A	40°C	Yes	\$1,162
14991751	CFW500 A 04P3 B2 DB66DSH00G2	-	4.3	-	1	A	40°C	Yes	\$1,203
14938001	CFW500 A 07P3 B2 DB66DSH00G2	-	7.3	-	2	A	40°C	Yes	\$1,629
14938046	CFW500 A 10P0 B2 DB66DSH00G2	-	10	-	3	A	40°C	Yes	\$1,705
230V - 3AC									
14938112	CFW500 A 16P0 T2 DB66DSH00G2	-	16	-	5	A	40°C	Yes	\$2,221
14975786	CFW500 B 24P0 T2 DB66DSH00G2	-	24	-	7.5	B	40°C	Yes	\$2,775
14938652	CFW500 B 28P0 T2 DB66DSH00G2	-	28	-	10	B	40°C	Yes	\$3,817
14938863	CFW500 B 33P0 T2 DB66DSH00G2	-	33	-	10	B	40°C	Yes	\$4,947
460V - 3AC									
14991951	CFW500 A 01P0 T4 DB66DSH00G2	-	1	-	0.33	A	40°C	Yes	\$1,458
14992146	CFW500 A 01P6 T4 DB66DSH00G2	-	1.6	-	0.75	A	40°C	Yes	\$1,499
14976516	CFW500 A 02P6 T4 DB66DSH00G2	-	2.6	-	1	A	40°C	Yes	\$1,601
14976687	CFW500 A 04P3 T4 DB66DSH00G2	-	4.3	-	2	A	40°C	Yes	\$1,953
14977119	CFW500 A 06P5 T4 DB66DSH00G2	-	6.5	-	3	A	40°C	Yes	\$2,263
14977265	CFW500 A 10P0 T4 DB66DSH00G2	-	10	-	5	A	40°C	Yes	\$2,669
14977396	CFW500 B 14P0 T4 DB66DSH00G2	-	14	-	10	B	40°C	Yes	\$3,123
14977555	CFW500 B 16P0 T4 DB66DSH00G2	-	16	-	10	B	40°C	Yes	\$3,557
14978362	CFW500 B 24P0 T4 DB66DSH00G2	-	24	-	15	B	40°C	Yes	\$4,664
14978570	CFW500 B 31P0 T4 DB66DSH00G2	-	31	-	20	B	40°C	Yes	\$5,741

CFW500 NEMA 4X Disconnect Switch - RFI Filter (without plug-in module) - 200~240V & 380~480V

Material Number	Part Number	Rated Current		Motor ⁽¹⁾		Frame Size	Max. ⁽²⁾ Temp.	Brake Chopper	List Price
		ND	HD	ND	HD				
		A		HP					
230V - 1AC									
14990864	CFW500 A 01P6 S2 DB66C3DSH00G2	-	1.6	-	0.33	A	40°C	Yes	\$2,042
14991105	CFW500 A 02P6 S2 DB66C3DSH00G2	-	2.6	-	0.5	A	40°C	Yes	\$2,105
14991756	CFW500 A 04P3 S2 DB66C3DSH00G2	-	4.3	-	1	A	40°C	Yes	\$2,152
14938006	CFW500 A 07P3 S2 DB66C3DSH00G2	-	7.3	-	2	A	40°C	Yes	\$2,978
14938108	CFW500 A 10P0 S2 DB66C3DSH00G2	-	10	-	3	A	40°C	Yes	\$3,115
230V - 3AC									
14938656	CFW500 B 28P0 T2 DB66C3DSH00G2	-	28	-	10	B	40°C	Yes	\$4,341
14938867	CFW500 B 33P0 T2 DB66C3DSH00G2	-	33	-	10	B	40°C	Yes	\$5,630
460V - 3AC									
14992031	CFW500 A 01P0 T4 DB66C3DSH00G2	-	1	-	0.33	A	40°C	Yes	\$2,111
14992767	CFW500 A 01P6 T4 DB66C3DSH00G2	-	1.6	-	0.75	A	40°C	Yes	\$2,166
14976680	CFW500 A 02P6 T4 DB66C3DSH00G2	-	2.6	-	1	A	40°C	Yes	\$2,407
14976810	CFW500 A 04P3 T4 DB66C3DSH00G2	-	4.3	-	2	A	40°C	Yes	\$2,799
14977066	CFW500 A 06P5 T4 DB66C3DSH00G2	-	6.5	-	3	A	40°C	Yes	\$3,233
14977388	CFW500 A 10P0 T4 DB66C3DSH00G2	-	10	-	5	A	40°C	Yes	\$3,804
14977549	CFW500 B 14P0 T4 DB66C3DSH00G2	-	14	-	10	B	40°C	Yes	\$3,917
14977557	CFW500 B 16P0 T4 DB66C3DSH00G2	-	16	-	10	B	40°C	Yes	\$4,505
14978387	CFW500 B 24P0 T4 DB66C3DSH00G2	-	24	-	15	B	40°C	Yes	\$5,877
14978576	CFW500 B 31P0 T4 DB66C3DSH00G2	-	31	-	20	B	40°C	Yes	\$6,925

Overload Capacity: ND = Normal Duty: 150% during 3 seconds; 110% during 60 seconds.

HD = Heavy Duty: 200% during 3 seconds; 150% during 60 seconds.

(1) Motor power ratings are based on: WEG - 4 poles - UL508-C - 230V/60Hz - 460V/60Hz

(2) Maximum surrounding air temperature without current derating

Variable Frequency Drives

CFW500 NEMA 4X Disconnect Switch - Standard (with IOS plug-in module built-in) - 200~240V & 380~480V

Material Number	Part Number	Rated Current		Motor ⁽¹⁾		Frame Size	Max. ⁽²⁾ Temp.	Brake Chopper	List Price
		ND	HD	ND	HD				
		A		HP					
230V - 1 or 3AC									
14990863	CFW500 A 01P6 B2 DB66DSG2	-	1.6	-	0.33	A	40°C	Yes	\$1,301
14991103	CFW500 A 02P6 B2 DB66DSG2	-	2.6	-	0.5	A	40°C	Yes	\$1,335
14991753	CFW500 A 04P3 B2 DB66DSG2	-	4.3	-	1	A	40°C	Yes	\$1,376
14938005	CFW500 A 07P3 B2 DB66DSG2	-	7.3	-	2	A	40°C	Yes	\$1,803
14938047	CFW500 A 10P0 B2 DB66DSG2	-	10	-	3	A	40°C	Yes	\$1,878
230V - 3AC									
14938113	CFW500 A 16P0 T2 DB66DSG2	-	16	-	5	A	40°C	Yes	\$2,395
14975838	CFW500 B 24P0 T2 DB66DSG2	-	24	-	7.5	B	40°C	Yes	\$2,949
14938655	CFW500 B 28P0 T2 DB66DSG2	-	28	-	10	B	40°C	Yes	\$3,991
14938866	CFW500 B 33P0 T2 DB66DSG2	-	33	-	10	B	40°C	Yes	\$5,121
460V - 3AC									
14991953	CFW500 A 01P0 T4 DB66DSG2	-	1	-	0.33	A	40°C	Yes	\$1,630
14992148	CFW500 A 01P6 T4 DB66DSG2	-	1.6	-	0.75	A	40°C	Yes	\$1,671
14976517	CFW500 A 02P6 T4 DB66DSG2	-	2.6	-	1	A	40°C	Yes	\$1,774
14976809	CFW500 A 04P3 T4 DB66DSG2	-	4.3	-	2	A	40°C	Yes	\$2,127
14977065	CFW500 A 06P5 T4 DB66DSG2	-	6.5	-	3	A	40°C	Yes	\$2,436
14977266	CFW500 A 10P0 T4 DB66DSG2	-	10	-	5	A	40°C	Yes	\$2,841
14977397	CFW500 B 14P0 T4 DB66DSG2	-	14	-	10	B	40°C	Yes	\$3,295
14977556	CFW500 B 16P0 T4 DB66DSG2	-	16	-	10	B	40°C	Yes	\$3,730
14978365	CFW500 B 24P0 T4 DB66DSG2	-	24	-	15	B	40°C	Yes	\$4,838
14978573	CFW500 B 31P0 T4 DB66DSG2	-	31	-	20	B	40°C	Yes	\$5,915

CFW500 NEMA 4X Disconnect Switch - RFI Filter (with IOS plug-in module built-in) - 200~240V & 380~480V

Material Number	Part Number	Rated Current		Motor ⁽¹⁾		Frame Size	Max. ⁽²⁾ Temp.	Brake Chopper	List Price
		ND	HD	ND	HD				
		A		HP					
230V - 1AC									
14990866	CFW500 A 01P6 S2 DB66C3DSG2	-	1.6	-	0.33	A	40°C	Yes	\$2,216
14991107	CFW500 A 02P6 S2 DB66C3DSG2	-	2.6	-	0.5	A	40°C	Yes	\$2,278
14991757	CFW500 A 04P3 S2 DB66C3DSG2	-	4.3	-	1	A	40°C	Yes	\$2,326
14938039	CFW500 A 07P3 S2 DB66C3DSG2	-	7.3	-	2	A	40°C	Yes	\$3,152
14938109	CFW500 A 10P0 S2 DB66C3DSG2	-	10	-	3	A	40°C	Yes	\$3,289
230V - 3AC									
14938783	CFW500 B 28P0 T2 DB66C3DSG2	-	28	-	10	B	40°C	Yes	\$4,514
14938978	CFW500 B 33P0 T2 DB66C3DSG2	-	33	-	10	B	40°C	Yes	\$5,803
460V - 3AC									
14992055	CFW500 A 01P0 T4 DB66C3DSG2	-	1	-	0.33	A	40°C	Yes	\$2,285
14993030	CFW500 A 01P6 T4 DB66C3DSG2	-	1.6	-	0.75	A	40°C	Yes	\$2,339
14976681	CFW500 A 02P6 T4 DB66C3DSG2	-	2.6	-	1	A	40°C	Yes	\$2,581
14976811	CFW500 A 04P3 T4 DB66C3DSG2	-	4.3	-	2	A	40°C	Yes	\$2,973
14977067	CFW500 A 06P5 T4 DB66C3DSG2	-	6.5	-	3	A	40°C	Yes	\$3,406
14977389	CFW500 A 10P0 T4 DB66C3DSG2	-	10	-	5	A	40°C	Yes	\$3,978
14977550	CFW500 B 14P0 T4 DB66C3DSG2	-	14	-	10	B	40°C	Yes	\$4,090
14977578	CFW500 B 16P0 T4 DB66C3DSG2	-	16	-	10	B	40°C	Yes	\$4,679
14978440	CFW500 B 24P0 T4 DB66C3DSG2	-	24	-	15	B	40°C	Yes	\$6,051
14978618	CFW500 B 31P0 T4 DB66C3DSG2	-	31	-	20	B	40°C	Yes	\$7,099

Overload Capacity: ND = Normal Duty: 150% during 3 seconds; 110% during 60 seconds.

HD = Heavy Duty: 200% during 3 seconds; 150% during 60 seconds.

(1) Motor power ratings are based on: WEG - 4 poles - UL508-C - 230V/60Hz - 460V/60Hz

(2) Maximum surrounding air temperature without current derating

Variable Frequency Drives

CFW500 NEMA 4X - Standard (without plug-in module) - 500~600V

Material Number	Part Number	Rated Current		Motor ⁽¹⁾		Frame Size	Max. ⁽²⁾ Temp.	Brake Chopper	List Price
		ND	HD	ND	HD				
		A		HP					
575V - 3AC									
14978623	CFW500 B 01P7 T5 DB66H00	-	1.7	-	1	B	40°C	Yes	\$1,983
14978710	CFW500 B 03P0 T5 DB66H00	-	3	-	2	B	40°C	Yes	\$2,094
14978916	CFW500 B 04P3 T5 DB66H00	-	4.3	-	3	B	40°C	Yes	\$2,387
14979080	CFW500 B 07P0 T5 DB66H00	-	7	-	5	B	40°C	Yes	\$2,692
14979217	CFW500 B 10P0 T5 DB66H00	-	10	-	7.5	B	40°C	Yes	\$2,984
14979330	CFW500 B 12P0 T5 DB66H00	-	12	-	10	B	40°C	Yes	\$3,369

CFW500 NEMA 4X - Standard (with IOS plug-in module built-in) - 500~600V

Material Number	Part Number	Rated Current		Motor ⁽¹⁾		Frame Size	Max. ⁽²⁾ Temp.	Brake Chopper	List Price
		ND	HD	ND	HD				
		A		HP					
575V - 3AC									
14978625	CFW500 B 01P7 T5 DB66	-	1.7	-	1	B	40°C	Yes	\$2,156
14978713	CFW500 B 03P0 T5 DB66	-	3	-	2	B	40°C	Yes	\$2,267
14978917	CFW500 B 04P3 T5 DB66	-	4.3	-	3	B	40°C	Yes	\$2,560
14979081	CFW500 B 07P0 T5 DB66	-	7	-	5	B	40°C	Yes	\$2,866
14979250	CFW500 B 10P0 T5 DB66	-	10	-	7.5	B	40°C	Yes	\$3,157
14979331	CFW500 B 12P0 T5 DB66	-	12	-	10	B	40°C	Yes	\$3,542

CFW500 NEMA 4X Disconnect Switch - Standard (without plug-in module) - 500~600V

Material Number	Part Number	Rated Current		Motor ⁽¹⁾		Frame Size	Max. ⁽²⁾ Temp.	Brake Chopper	List Price
		ND	HD	ND	HD				
		A		HP					
575V - 3AC									
14978659	CFW500 B 01P7 T5 DB66DSH00	-	1.7	-	1	B	40°C	Yes	\$2,230
14978913	CFW500 B 03P0 T5 DB66DSH00	-	3	-	2	B	40°C	Yes	\$2,354
14979078	CFW500 B 04P3 T5 DB66DSH00	-	4.3	-	3	B	40°C	Yes	\$2,682
14979082	CFW500 B 07P0 T5 DB66DSH00	-	7	-	5	B	40°C	Yes	\$3,021
14979252	CFW500 B 10P0 T5 DB66DSH00	-	10	-	7.5	B	40°C	Yes	\$3,346
14979333	CFW500 B 12P0 T5 DB66DSH00	-	12	-	10	B	40°C	Yes	\$3,776

CFW500 NEMA 4X Disconnect Switch - Standard (with IOS plug-in module built-in) - 500~600V

Material Number	Part Number	Rated Current		Motor ⁽¹⁾		Frame Size	Max. ⁽²⁾ Temp.	Brake Chopper	List Price
		ND	HD	ND	HD				
		A		HP					
575V - 3AC									
14978664	CFW500 B 01P7 T5 DB66DS	-	1.7	-	1	B	40°C	Yes	\$2,404
14978915	CFW500 B 03P0 T5 DB66DS	-	3	-	2	B	40°C	Yes	\$2,527
14979079	CFW500 B 04P3 T5 DB66DS	-	4.3	-	3	B	40°C	Yes	\$2,855
14979177	CFW500 B 07P0 T5 DB66DS	-	7	-	5	B	40°C	Yes	\$3,195
14979256	CFW500 B 10P0 T5 DB66DS	-	10	-	7.5	B	40°C	Yes	\$3,520
14979335	CFW500 B 12P0 T5 DB66DS	-	12	-	10	B	40°C	Yes	\$3,949

Overload Capacity: ND = Normal Duty: 150% during 3 seconds; 110% during 60 seconds.

HD = Heavy Duty: 200% during 3 seconds; 150% during 60 seconds.

(1) Motor power ratings are based on: WEG - 4 poles - UL508-C - 575V/60Hz

(2) Maximum surrounding air temperature without current derating

Variable Frequency Drives

CFW500 - Accessories

Material Number	Part Number	Description	List Price
14741859	CFW500-IOS	IOS standard I/O expansion module	\$174
13989716	CFW500-IOS-PNP	IOS PNP I/O expansion module	\$174
14742006	CFW500-IOD	IOD expansion module	\$223
14742129	CFW500-IOAD	IOAD expansion module	\$287
14968050	CFW500-IOR-B	IOR expansion module	\$196
14742001	CFW500-CUSB	USB communication module + Cable	\$333
14741999	CFW500-CCAN	CAN interface module (CANopen/DeviceNet)	\$219
14742005	CFW500-CRS232	RS-232 serial communication module (Modbus-RTU)	\$219
15353140	CFW500-CRS485-B	RS-485 serial communication module (Modbus-RTU)	\$227
14742131	CFW500-CPDP	Profibus DP & DP-V1 interface module (DB9 connector)	\$637
12443605	CFW500-CPDP2 ⁽¹⁾	Profibus DP & DP-V1 interface module (terminal block connector)	\$637
12892815	CFW500-CEMB-TCP	Modbus TCP communication module	\$785
12892816	CFW500-CEPN-IO	Profinet/IO communication module	\$785
12892814	CFW500-CETH-IP	Ethernet/IP communication module	\$785
12619000	CFW500-ENC	Encoder module	\$328
15560296	CFW500-SFY2	Safety Functions Module - STO and SS1-t (for CFW500 G2 version)	\$189
11636485	CFW500-MMF	Flash memory module	\$300
11833992	CFW500-HMIR	Remote keypad	\$267
15578295	HMI-01	Alphanumeric remote HMI for CFW500 G2 (for CFW500 G2 version)	\$326
15578297	CFW500-RHMIF	Frame for Alphanumeric HMI (IP56)	\$42
12330016	CFW500-CCHMIR01M	1m (3.3ft) remote keypad cable	\$38
12330459	CFW500-CCHMIR02M	2m (6.6ft) remote keypad cable	\$50
12330460	CFW500-CCHMIR03M	3m (10ft) remote keypad cable	\$66
12330461	CFW500-CCHMIR05M	5m (16ft) remote keypad cable	\$81
12330462	CFW500-CCHMIR75M	7.5m (25ft) remote keypad cable	\$98
12330463	CFW500-CCHMIR10M	10m (33ft) remote keypad cable	\$114
11527460	CFW500-KN1A	NEMA 1 kit – frame size A (standard for N1)	\$46
11527459	CFW500-KN1B	NEMA 1 kit – frame size B (standard for N1)	\$54
12133824	CFW500-KN1C	NEMA 1 kit – frame size C (standard for N1)	\$71
12692970	CFW500-KN1D	NEMA 1 kit – frame size D (standard for N1)	\$93
13104601	CFW500-KN1E	NEMA 1 kit – frame size E (standard for N1)	\$101
14601107	CFW500-KN1F	NEMA 1 kit – frame size F (standard for N1)	\$220
15461789	CFW500-KN1G	NEMA 1 kit – frame size G (standard for N1)	\$288
11951056	CFW500-KPCSA	Power cables shielding kit – frame size A (standard for RFI Filter VFDs)	\$61
11951108	CFW500-KPCSB	Power cables shielding kit – frame size B (standard for RFI Filter VFDs)	\$71
12133826	CFW500-KPCSC	Power cables shielding kit – frame size C (standard for RFI Filter VFDs)	\$74
12692971	CFW500-KPCSD	Power cables shielding kit – frame size D (standard for RFI Filter VFDs)	\$81
13055389	CFW500-KPCSE	Power cables shielding kit – frame size E (standard for RFI Filter VFDs)	\$101
14601158	CFW500-KPCSF	Power cables shielding kit – frame size F (standard for RFI Filter VFDs)	\$185
15461788	CFW500-KPCSG	Power cables shielding kit – frame size G (standard for RFI Filter VFDs)	\$241
15614039	CFW500-KAPGM	PG21 to M25 Adapter (for CFW500 IP66)	\$42
Solar Drive Accessories⁽³⁾			
14345349	CFW500-KPSA	Plug-in module with built-in Solar Drive software + Frontal cover for frame A	\$256
14345352	CFW500-KPSB	Plug-in module with built-in Solar Drive software + Frontal cover for frame B	\$265
14345353	CFW500-KPSC	Plug-in module with built-in Solar Drive software + Frontal cover for frame C	\$272
14345354	CFW500-KPSD	Plug-in module with built-in Solar Drive software + Frontal cover for frame D	\$281
14345355	CFW500-KPSE	Plug-in module with built-in Solar Drive software + Frontal cover for frame E	\$288
14987105	CFW500-KDS	Voltage divider kit for connection of the solar radiation detector panel ⁽²⁾	\$277

(1) Recommended Profibus DP & DP-V1 interface module for IP66 / NEMA Type 4X models

(2) The irradiation solar panel detector is not a part of the kit. Please, consult the CFW500-KDS manual for more information

(3) Frames F and G are also available to be used as a Solar Drive. In such case, please consult you market coordinator

The CFW11 series is the product applicable on more demanding applications, where high performance needs to be accomplished. Among the big variety of applications the CFW11 can meet, the ones below can be highlighted: Winders, Rewinders, Pumping System, Master-Slave in Position and Speed.



Certifications:



Technical data:

- Single and three-phase power supply.
- Voltage range: 200-240Vac for single-phase models.
200-240Vac, 380-480Vac or 500-690Vac for three-phase models.
- Current / Power range: up to 1141Amps / 650kW (800HP)
- Control mode: scalar (V/Hz), open loop vector sensorless and closed loop with encoder.
- Switching frequency: 2, 2.5, 5 or 10kHz
- Overload capacity: Normal Duty (ND) = 110% for 60sec every 10min
Heavy Duty (HD) = 150% for 60sec every 10min
- Degree of protection: IP20 and IP55
- Operating temperature: -10 to 50°C (14 to 122°F) for frame sizes A,B,C and D.
-10 to 45°C (14 to 113°F) for frame Size E, F and G models
-10 to 40°C (14 to 104°F) for frame Size G (720A) and H models
possible to operate on higher temperatures with current derating (Check the user's manual)
- Altitude: 0 to 1000m
up to 4000m with current derating (1% for every 100m above 1000m)
- Humidity: 5 to 90% non-condensing.
- Integrated brake chopper up to frame size D. Built-in option for frame size E.
- DC link inductors (excepting on frame size "H")
- Built-in PID controller.
- Flash memory
- Local graphic keypad with backlight and real-time clock supplied as standard.
- USB Connection;
- Soft-PLC

I/O connections:

	Std	IOA-01	IOB-01	IOC-01	IOC-02	IOC-03	PLC11-01	PLC11-02
Digital inputs	6	2	2	8	8	8	9	4
Digital outputs	-	2	2	-	8	7	3	3
Relay outputs	3	-	-	4	-	-	3	1
Analog inputs	2	1	2	-	-	-	1	-
Analog outputs	2	2	*	-	-	-	2	-

(1) Module changes the standard CFW11 Analog output to isolated ports.

Fieldbus:

RS232 WEGbus	RS485 WEGbus	Modbus RTU	Modbus TCP	Profibus DP	Profibus DPV1	Profinet	CANopen	DeviceNet	EtherNet/IP	EtherCAT	BACnet
N/A	N/A	RS485-01 or RS485-05 CAN/RS485-01 RS232-01 or RS232-05	MODBUSTCP-05 MODBUSTCP-2P-05	PROFDP-05	PROFIBUS DP-01	PROFINETIO-05	CAN/RS485-01 CAN-01	DEVICENET-05 CAN/RS485-01 CAN-01	ETHERNET/IP-05 ETHERNETIP-2P-05	ETHERCAT-01	RS485-01 CAN/RS485-01 (special firmware)

Accessories:

- IP21 / NEMA 1 kits.
- Encoder Modules
- I/O Expansion Modules
- Communication Modules
- Temperature Transducers Modules (for PTC, PT100 and KTY)
- Remote keypad kit

Built-in Optionals:

- External +24Vdc power supply for control board
- Safe Torque Off (STO) function in accordance with EN ISO 13849-1 (Cat. 3 / PL d) and IEC 62061 / IEC 61508 (SIL 2)
- RFI filter - Cat. C3

Special versions:

- Common / DC Bus Version (without input rectifier bridge)
- IP55 enclosure

Special Functions:

- Lifting/hoisting
- Surface winder
- Multipump

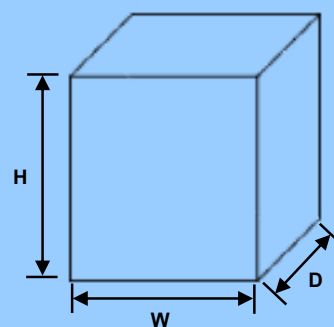
CFW11

Industrial and System Variable Frequency Drive

Product and Series	Model Identification			Product version	Degree of Protection	Keypad	Braking	Conducted Emission Level	Safety Stop	External power supply for control	Special hardware version	Special firmware version	End of Code
	Rated current	No. of phases power supply	Rated voltage										
CFW11	0003	T	4	S	-	-	-	-	-	-	-	-	Z
CFW11	0003 = 3.6 ... 1141 = 1141	<p>S = single-phase B = single/three-phase T = three-phase</p> <p>2 = 200...240V 4 = 380...480V 5 = 500...600V 6 = 600...690V</p> <p>S = Standard O = with additional option Blank = Standard</p> <p>21 = IP21 (only frame size D) N1 = NEMA 1 Enclosure (only frame sizes A, B, D and E) 55 = IP55</p> <p>Blank = Standard IC = No keypad (blind cover)</p> <p>Blank = Standard (for 200~240V and 380~480V) DB = With braking chopper (for 200~240V and 380~480V) NB = Without braking chopper (for 500~600V and 500~690V)</p> <p>Blank = Standard (for 200~240V and 380~480V) Blank = With RFI filter (for 500~600V and 500~690V) FA = According to category 3 of IEC 61800-3 standard (for 200~240V and 380~480V) NF = Without RFI filter (for 500~600V and 500~690V)</p> <p>Blank = without STO function Y = with STO function according to EN 954-1 / ISO 13849-1, category 3</p> <p>Blank = without External Power supply board W = Control circuit is supplied through an external 24V power supply</p> <p>Blank = Standard H1 = Special hardware DC = Common / DC Bus Version (without input rectifier bridge)</p> <p>Blank = Standard S1 = Special firmware Z</p>											

Dimensions and weight (without packaging):

Frame size	IP20			
	Height mm (in)	Width mm (in)	Depth mm (in)	Weight kg (lbs)
A	270 (10.63)	145 (5.71)	227 (8.94)	6.3 (13.89)
B	316 (12.44)	190 (7.48)	227 (8.94)	10.4 (22.93)
C	405 (15.94)	220 (8.66)	293 (11.54)	20.5 (45.19)
D	550 (21.65)	300 (11.81)	305 (12.01)	32.6 (71.87)
E	675 (26.57)	335 (13.19)	358 (14.09)	65.0 (143.30)
F	1234 (48.58)	430 (16.93)	360 (14.17)	168.0 (370.38)
G	1264 (49.76)	535 (21.06)	426 (16.77)	258.0 (568.79)
H	1414 (55.67)	686 (27.01)	421 (16.57)	220.0 (485.02)
NEMA 12 / IP55				
B	529 (20.83)	273 (10.75)	279 (10.98)	17.0 (37.48)
C	670 (26.38)	307 (12.09)	348 (13.7)	30.0 (66.14)
D	754 (29.69)	375 (14.76)	301 (11.85)	49.0 (108.03)
E	1000 (39.37)	430 (16.93)	389 (15.31)	96.0 (211.64)



Mechanical data in Appendix

Variable Frequency Drives

CFW11 - Standard - 200~240V

Material Number	Part Number	Rated Current		Motor ⁽¹⁾		Frame Size	Max. ⁽²⁾ Temp.	Brake Chopper	List Price
		ND	HD	ND	HD				
		A		HP					
230V - 1 or 3AC									
10574692	NA CFW11 0006 B2 SZ	6	5	1.5	1	A	50°C	Yes	\$2,459
10574693	NA CFW11 0007 B2 SZ	7	7	2	2	A	50°C	Yes	\$2,482
230V - 1AC									
10574694	NA CFW11 0010 S2 SZ	10	10	3	3	A	50°C	Yes	\$2,581
230V - 3AC									
10574695	NA CFW11 0007 T2 SZ	7	5.5	2	1	A	50°C	Yes	\$2,072
10574696	NA CFW11 0010 T2 SZ	10	8	3	2	A	50°C	Yes	\$2,400
10574697	NA CFW11 0013 T2 SZ	13	11	3	3	A	50°C	Yes	\$2,509
10574698	NA CFW11 0016 T2 SZ	16	13	5	3	A	50°C	Yes	\$2,984
10574699	NA CFW11 0024 T2 SZ	24	20	7.5	5	B	50°C	Yes	\$3,533
10574700	NA CFW11 0028 T2 SZ	28	24	10	7.5	B	50°C	Yes	\$3,673
10574701	NA CFW11 0033 T2 SZ	33.5	28	10	10	B	50°C	Yes	\$4,241
10574702	NA CFW11 0045 T2 SZ	45	36	15	10	C	50°C	Yes	\$4,780
10574703	NA CFW11 0054 T2 SZ	54	45	20	15	C	50°C	Yes	\$5,764
10574704	NA CFW11 0070 T2 SZ	70	56	25	20	C	50°C	Yes	\$6,771
10574705	NA CFW11 0086 T2 SZ	86	70	30	25	D	50°C	Yes	\$8,809
10574706	NA CFW11 0105 T2 SZ	105	86	40	30	D	50°C	Yes	\$11,373
11128842	NA CFW11 0142 T2 SZ	142	115	50	40	E	45°C	No	\$15,575
11128843	NA CFW11 0180 T2 SZ	180	142	60	50	E	45°C	No	\$20,042
11128844	NA CFW11 0211 T2 SZ	211	180	75	60	E	45°C	No	\$25,439

CFW11 - Safety Stop - 200~240V

230V - 1 or 3AC									
12104868	NA CFW11 0006 B2 OYZ	6	5	1.5	1	A	50°C	Yes	\$2,876
12104874	NA CFW11 0007 B2 OYZ	7	7	2	2	A	50°C	Yes	\$2,904
230V - 1AC									
12104875	NA CFW11 0010 S2 OYZ	10	10	3	3	A	50°C	Yes	\$3,019
230V - 3AC									
11873895	NA CFW11 0007 T2 OYZ	7	5.5	2	1	A	50°C	Yes	\$2,424
11873896	NA CFW11 0010 T2 OYZ	10	8	3	2	A	50°C	Yes	\$2,806
11873897	NA CFW11 0013 T2 OYZ	13	11	3	3	A	50°C	Yes	\$2,936
11873988	NA CFW11 0016 T2 OYZ	16	13	5	3	A	50°C	Yes	\$3,491
11873996	NA CFW11 0024 T2 OYZ	24	20	7.5	5	B	50°C	Yes	\$3,887
11873997	NA CFW11 0028 T2 OYZ	28	24	10	7.5	B	50°C	Yes	\$4,041
11874068	NA CFW11 0033 T2 OYZ	33.5	28	10	10	B	50°C	Yes	\$4,664
11874074	NA CFW11 0045 T2 OYZ	45	36	15	10	C	50°C	Yes	\$5,163
11874075	NA CFW11 0054 T2 OYZ	54	45	20	15	C	50°C	Yes	\$6,226
11874076	NA CFW11 0070 T2 OYZ	70	56	25	20	C	50°C	Yes	\$7,312
11874182	NA CFW11 0086 T2 OYZ	86	70	30	25	D	50°C	Yes	\$9,249
11874185	NA CFW11 0105 T2 OYZ	105	86	40	30	D	50°C	Yes	\$11,941
11874229	NA CFW11 0142 T2 OYZ	142	115	50	40	E	45°C	No	\$16,510
11874230	NA CFW11 0180 T2 OYZ	180	142	60	50	E	45°C	No	\$21,245
11874231	NA CFW11 0211 T2 OYZ	211	180	75	60	E	45°C	No	\$26,965

Overload Capacity:

ND = Normal Duty: 150% during 3 seconds; 110% during 60 seconds.

HD = Heavy Duty: 200% during 3 seconds; 150% during 60 seconds.

(1) Motor power ratings are based on: WEG - 4 poles - UL508-C - 230V/60Hz

(2) Maximum surrounding air temperature without current derating

Variable Frequency Drives

CFW11 - Standard - 380~480V

Material Number	Part Number	Rated Current		Motor ⁽¹⁾		Frame Size	Max. ⁽²⁾ Temp.	Brake Chopper	List Price
		ND	HD	ND	HD				
		A		HP					
460V - 3AC									
10574707	NA CFW11 0003 T4 SZ	3.6	3.6	2	2	A	50°C	Yes	\$2,247
10574708	NA CFW11 0005 T4 SZ	5	5	3	3	A	50°C	Yes	\$2,455
10574709	NA CFW11 0007 T4 SZ	7	5.5	3	3	A	50°C	Yes	\$2,494
10574710	NA CFW11 0010 T4 SZ	10	10	5	5	A	50°C	Yes	\$2,618
10574711	NA CFW11 0013 T4 SZ	13.5	11	7.5	7.5	A	50°C	Yes	\$2,931
10574712	NA CFW11 0017 T4 SZ	17	13.5	10	7.5	B	50°C	Yes	\$3,672
10574713	NA CFW11 0024 T4 SZ	24	19	15	10	B	50°C	Yes	\$4,421
10574714	NA CFW11 0031 T4 SZ	31	25	20	15	B	50°C	Yes	\$5,481
10574715	NA CFW11 0038 T4 SZ	38	33	25	20	C	50°C	Yes	\$6,204
10574716	NA CFW11 0045 T4 SZ	45	38	30	25	C	50°C	Yes	\$7,785
10574717	NA CFW11 0058 T4 SZ	58.5	47	40	30	C	50°C	Yes	\$9,809
10574718	NA CFW11 0070 T4 SZ	70.5	61	50	40	D	50°C	Yes	\$10,904
10574719	NA CFW11 0088 T4 SZ	88	73	60	50	D	50°C	Yes	\$12,831
11128846	NA CFW11 0105 T4 SZ	105	88	75	60	E	45°C	No	\$14,184
11128878	NA CFW11 0142 T4 SZ	142	115	100	75	E	45°C	No	\$16,982
11128879	NA CFW11 0180 T4 SZ	180	142	150	100	E	45°C	No	\$22,219
11128880	NA CFW11 0211 T4 SZ	211	180	150	150	E	45°C	No	\$26,375
11411159	NA CFW11 0242 T4 SZ	242	211	200	150	F	45°C	No	\$30,310
11411161	NA CFW11 0312 T4 SZ	312	242	250	200	F	45°C	No	\$34,316
11411164	NA CFW11 0370 T4 SZ	370	312	300	250	F	45°C	No	\$37,961
11411165	NA CFW11 0477 T4 SZ	477	370	400	300	F	45°C	No	\$45,000
11411198	NA CFW11 0515 T4 SZ	515	477	400	400	G	45°C	No	\$51,351
11411199	NA CFW11 0601 T4 SZ	601	515	500	400	G	45°C	No	\$59,164
11411201	NA CFW11 0720 T4 SZ	720	560	600	400	G	40°C	No	\$65,267
13786052	NA CFW11 0760 T4 OYZ	760	600	600	500	G	40°C	No	\$69,815
13107481	NA CFW11 0795 T4 OYZ	795	637	600	500	H	40°C	No	\$71,605
13107729	NA CFW11 0877 T4 OYZ	877	715	700	500	H	40°C	No	\$79,909
13107731	NA CFW11 1062 T4 OYZ	1062	855	900	700	H	40°C	No	\$94,841
13107735	NA CFW11 1141 T4 OYZ	1141	943	900	800	H	40°C	No	\$108,521

Overload Capacity:

ND = Normal Duty: 150% during 3 seconds; 110% during 60 seconds.

HD = Heavy Duty: 200% during 3 seconds; 150% during 60 seconds.

(1) Motor power ratings are based on: WEG - 4 poles - UL508-C - 460V/60Hz

(2) Maximum surrounding air temperature without current derating

(3) Frame size "H" does not have a built-in DC-link Inductor. Input reactor(s) MUST be used.

Variable Frequency Drives

CFW11 - Safety Stop - 380~480V

Material Number	Part Number	Rated Current		Motor ⁽¹⁾		Frame Size	Max. ⁽²⁾ Temp.	Brake Chopper	List Price
		ND	HD	ND	HD				
		A		HP					
460V - 3AC									
11873990	NA CFW11 0003 T4 OYZ	3.6	3.6	2	2	A	50°C	Yes	\$2,629
11873991	NA CFW11 0005 T4 OYZ	5	5	3	3	A	50°C	Yes	\$2,873
11873993	NA CFW11 0007 T4 OYZ	7	5.5	3	3	A	50°C	Yes	\$2,917
11873994	NA CFW11 0010 T4 OYZ	10	10	5	5	A	50°C	Yes	\$3,062
11873995	NA CFW11 0013 T4 OYZ	13.5	11	7.5	7.5	A	50°C	Yes	\$3,429
11874070	NA CFW11 0017 T4 OYZ	17	13.5	10	7.5	B	50°C	Yes	\$4,039
11874071	NA CFW11 0024 T4 OYZ	24	19	15	10	B	50°C	Yes	\$4,862
11874072	NA CFW11 0031 T4 OYZ	31	25	20	15	B	50°C	Yes	\$6,029
11874178	NA CFW11 0038 T4 OYZ	38	33	25	20	C	50°C	Yes	\$6,700
11874179	NA CFW11 0045 T4 OYZ	45	38	30	25	C	50°C	Yes	\$8,408
11874180	NA CFW11 0058 T4 OYZ	58.5	47	40	30	C	50°C	Yes	\$10,594
11874186	NA CFW11 0070 T4 OYZ	70.5	61	50	40	D	50°C	Yes	\$11,450
11874187	NA CFW11 0088 T4 OYZ	88	73	60	50	D	50°C	Yes	\$13,473
11874233	NA CFW11 0105 T4 OYZ	105	88	75	60	E	45°C	No	\$14,893
11874235	NA CFW11 0142 T4 OYZ	142	115	100	75	E	45°C	No	\$17,831
11874330	NA CFW11 0180 T4 OYZ	180	142	150	100	E	45°C	No	\$23,330
11874331	NA CFW11 0211 T4 OYZ	211	180	150	150	E	45°C	No	\$27,695
11874332	NA CFW11 0242 T4 OYZ	242	211	200	150	F	45°C	No	\$31,825
11874334	NA CFW11 0312 T4 OYZ	312	242	250	200	F	45°C	No	\$36,031
11874335	NA CFW11 0370 T4 OYZ	370	312	300	250	F	45°C	No	\$39,859
11874336	NA CFW11 0477 T4 OYZ	477	370	400	300	F	45°C	No	\$47,250
11874337	NA CFW11 0515 T4 OYZ	515	477	400	400	G	45°C	No	\$53,918
11874388	NA CFW11 0601 T4 OYZ	601	515	500	400	G	45°C	No	\$62,122
11874390	NA CFW11 0720 T4 OYZ	720	560	600	400	G	40°C	No	\$66,069
13786052	NA CFW11 0760 T4 OYZ	760	600	600	500	G	40°C	No	\$69,815
13107481	NA CFW11 0795 T4 OYZ	795	637	600	500	H	40°C	No	\$71,605
13107729	NA CFW11 0877 T4 OYZ	877	715	700	500	H	40°C	No	\$79,909
13107731	NA CFW11 1062 T4 OYZ	1062	855	900	700	H	40°C	No	\$94,841
13107735	NA CFW11 1141 T4 OYZ	1141	943	900	800	H	40°C	No	\$108,521

Overload Capacity:

ND = Normal Duty: 150% during 3 seconds; 110% during 60 seconds.

HD = Heavy Duty: 200% during 3 seconds; 150% during 60 seconds.

(1) Motor power ratings are based on: WEG - 4 poles - UL508-C - 460V/60Hz

(2) Maximum surrounding air temperature without current derating

(3) Frame size "H" does not have a built-in DC-link Inductor. Input reactor(s) MUST be used.

Variable Frequency Drives

CFW11 - NEMA 1 - 200~240V & 380~480V

Material Number	Part Number	Rated Current		Motor ⁽¹⁾		Frame Size	Max. ⁽²⁾ Temp.	Brake Chopper	List Price
		ND	HD	ND	HD				
		A		HP					
230V - 1 or 3AC									
10574720	NA CFW11 0006 B2 ON1Z	6	5	1.5	1	A	50°C	Yes	\$2,573
10574721	NA CFW11 0007 B2 ON1Z	7	7	2	2	A	50°C	Yes	\$2,596
230V - 1AC									
10574722	NA CFW11 0010 S2 ON1Z	10	10	3	3	A	50°C	Yes	\$2,695
230V - 3AC									
10574723	NA CFW11 0007 T2 ON1Z	7	5.5	2	1	A	50°C	Yes	\$2,186
10574724	NA CFW11 0010 T2 ON1Z	10	8	3	2	A	50°C	Yes	\$2,513
10574725	NA CFW11 0013 T2 ON1Z	13	11	3	3	A	50°C	Yes	\$2,624
10574726	NA CFW11 0016 T2 ON1Z	16	13	5	3	A	50°C	Yes	\$3,099
10574727	NA CFW11 0024 T2 ON1Z	24	20	7.5	5	B	50°C	Yes	\$3,668
10574728	NA CFW11 0028 T2 ON1Z	28	24	10	7.5	B	50°C	Yes	\$3,808
10574729	NA CFW11 0033 T2 ON1Z	33.5	28	10	10	B	50°C	Yes	\$4,376
10574730	NA CFW11 0045 T2 ON1Z	45	36	15	10	C	50°C	Yes	\$4,936
10574731	NA CFW11 0054 T2 ON1Z	54	45	20	15	C	50°C	Yes	\$5,920
10574732	NA CFW11 0070 T2 ON1Z	70	56	25	20	C	50°C	Yes	\$6,926
10574705	NA CFW11 0086 T2 SZ	86	70	30	25	D	50°C	Yes	\$8,809
10574706	NA CFW11 0105 T2 SZ	105	86	40	30	D	50°C	Yes	\$11,373
11128905	NA CFW11 0142 T2 ON1Z	142	115	50	40	E	45°C	No	\$15,682
11128907	NA CFW11 0180 T2 ON1Z	180	142	60	50	E	45°C	No	\$20,332
11128946	NA CFW11 0211 T2 ON1Z	211	180	75	60	E	45°C	No	\$25,729
460V - 3AC									
10574733	NA CFW11 0003 T4 ON1Z	3.6	3.6	2	2	A	50°C	Yes	\$2,362
10574734	NA CFW11 0005 T4 ON1Z	5	5	3	3	A	50°C	Yes	\$2,570
10574735	NA CFW11 0007 T4 ON1Z	7	5.5	3	3	A	50°C	Yes	\$2,608
10574736	NA CFW11 0010 T4 ON1Z	10	10	5	5	A	50°C	Yes	\$2,733
10574737	NA CFW11 0013 T4 ON1Z	13.5	11	7.5	7.5	A	50°C	Yes	\$3,045
10574738	NA CFW11 0017 T4 ON1Z	17	13.5	10	7.5	B	50°C	Yes	\$3,806
10574739	NA CFW11 0024 T4 ON1Z	24	19	15	10	B	50°C	Yes	\$4,556
10574740	NA CFW11 0031 T4 ON1Z	31	25	20	15	B	50°C	Yes	\$5,616
10574741	NA CFW11 0038 T4 ON1Z	38	33	25	20	C	50°C	Yes	\$6,360
10574742	NA CFW11 0045 T4 ON1Z	45	38	30	25	C	50°C	Yes	\$7,940
10574743	NA CFW11 0058 T4 ON1Z	58.5	47	40	30	C	50°C	Yes	\$9,964
10574718	NA CFW11 0070 T4 SZ	70.5	61	50	40	D	50°C	Yes	\$10,904
10574719	NA CFW11 0088 T4 SZ	88	73	60	50	D	50°C	Yes	\$12,831
11128979	NA CFW11 0105 T4 ON1Z	105	88	75	60	E	45°C	No	\$14,291
11128980	NA CFW11 0142 T4 ON1Z	142	115	100	75	E	45°C	No	\$17,088
11128981	NA CFW11 0180 T4 ON1Z	180	142	150	100	E	45°C	No	\$22,510
11128984	NA CFW11 0211 T4 ON1Z	211	180	150	150	E	45°C	No	\$26,666

Overload Capacity:

ND = Normal Duty: 150% during 3 seconds; 110% during 60 seconds.

HD = Heavy Duty: 200% during 3 seconds; 150% during 60 seconds.

NEMA 1 Version:

NEMA 1 / IP21: Frame size A, B, C and E

NEMA 1 / IP20: Frame size D

(1) Motor power ratings are based on: WEG - 4 poles - UL508-C - 230V/60Hz & 460V/60Hz

(2) Maximum surrounding air temperature without current derating

Variable Frequency Drives

CFW11 - NEMA 1 & Safety Stop - 200~240V & 380~480V

Material Number	Part Number	Rated Current		Motor ⁽¹⁾		Frame Size	Max. ⁽²⁾ Temp.	Brake Chopper	List Price
		ND	HD	ND	HD				
		A		HP					
230V - 3AC									
12104891	NA CFW11 0024 T2 ON1YZ	24	20	7.5	5	B	50°C	Yes	\$4,022
12104892	NA CFW11 0028 T2 ON1YZ	28	24	10	7.5	B	50°C	Yes	\$4,176
12104893	NA CFW11 0033 T2 ON1YZ	33.5	28	10	10	B	50°C	Yes	\$4,800
12105024	NA CFW11 0045 T2 ON1YZ	45	36	15	10	C	50°C	Yes	\$5,318
12105026	NA CFW11 0054 T2 ON1YZ	54	45	20	15	C	50°C	Yes	\$6,380
12105048	NA CFW11 0070 T2 ON1YZ	70	56	25	20	C	50°C	Yes	\$7,468
11874182	NA CFW11 0086 T2 OYZ	86	70	30	25	D	50°C	Yes	\$9,249
11874185	NA CFW11 0105 T2 OYZ	105	86	40	30	D	50°C	Yes	\$11,941
12105049	NA CFW11 0142 T2 ON1YZ	142	115	50	40	E	45°C	No	\$16,605
12105051	NA CFW11 0180 T2 ON1YZ	180	142	60	50	E	45°C	No	\$21,537
12105052	NA CFW11 0211 T2 ON1YZ	211	180	75	60	E	45°C	No	\$27,258
460V - 3AC									
12105053	NA CFW11 0017 T4 ON1YZ	17	13.5	10	7.5	B	50°C	Yes	\$4,173
12105055	NA CFW11 0024 T4 ON1YZ	24	19	15	10	B	50°C	Yes	\$4,998
12105098	NA CFW11 0031 T4 ON1YZ	31	25	20	15	B	50°C	Yes	\$6,163
12105099	NA CFW11 0038 T4 ON1YZ	38	33	25	20	C	50°C	Yes	\$6,855
12105100	NA CFW11 0045 T4 ON1YZ	45	38	30	25	C	50°C	Yes	\$8,563
12105101	NA CFW11 0058 T4 ON1YZ	58.5	47	40	30	C	50°C	Yes	\$10,747
11874186	NA CFW11 0070 T4 OYZ	70.5	61	50	40	D	50°C	Yes	\$11,450
11874187	NA CFW11 0088 T4 OYZ	88	73	60	50	D	50°C	Yes	\$13,473
12105103	NA CFW11 0105 T4 ON1YZ	105	88	75	60	E	45°C	No	\$15,599
12105104	NA CFW11 0142 T4 ON1YZ	142	115	100	75	E	45°C	No	\$18,797
12105105	NA CFW11 0180 T4 ON1YZ	180	142	150	100	E	45°C	No	\$25,121
12105106	NA CFW11 0211 T4 ON1YZ	211	180	150	150	E	45°C	No	\$29,519

Overload Capacity:

ND = Normal Duty: 150% during 3 seconds; 110% during 60 seconds.

HD = Heavy Duty: 200% during 3 seconds; 150% during 60 seconds.

NEMA 1 Version:

NEMA 1 / IP21: Frame size B, C and E

NEMA 1 / IP20: Frame size D

Frame size A with STO function is not available in NEMA 1 version.

(1) Motor power ratings are based on: WEG - 4 poles - UL508-C - 230V/60Hz & 460V/60Hz

(2) Maximum surrounding air temperature without current derating

Variable Frequency Drives

CFW11 - Dynamic Braking Transistor and RFI filter - 200~240V & 380~480V

Material Number	Part Number	Rated Current		Motor ⁽¹⁾		Frame Size	Max. ⁽²⁾ Temp.	Brake Chopper	List Price
		ND	HD	ND	HD				
		A		HP					
230V - 3AC									
11129517	NA CFW11 0142 T2 ON1DBZ	142	115	50	40	E	45°C	Yes	\$16,639
11129588	NA CFW11 0180 T2 ON1DBZ	180	142	60	50	E	45°C	Yes	\$21,682
11129589	NA CFW11 0211 T2 ON1DBZ	211	180	75	60	E	45°C	Yes	\$27,510
460V - 3AC									
11129590	NA CFW11 0105 T4 ON1DBZ	105	88	75	60	E	45°C	Yes	\$15,720
11129591	NA CFW11 0142 T4 ON1DBZ	142	115	100	75	E	45°C	Yes	\$18,797
11129595	NA CFW11 0180 T4 ON1DBZ	180	142	150	100	E	45°C	Yes	\$25,542
11129596	NA CFW11 0211 T4 ON1DBZ	211	180	150	150	E	45°C	Yes	\$30,062

Overload Capacity:

ND = Normal Duty: 150% during 3 seconds; 110% during 60 seconds.

HD = Heavy Duty: 200% during 3 seconds; 150% during 60 seconds.

(1) Motor power ratings are based on: WEG - 4 poles - UL508-C - 230V/60Hz & 460V/60Hz

(2) Maximum surrounding air temperature without current derating

Variable Frequency Drives

CFW11 - Standard - 500~600V

Material Number	Part Number	Rated Current		Motor ⁽¹⁾		Frame Size	Max. ⁽²⁾ Temp.	Brake Chopper	List Price
		ND	HD	ND	HD				
		A		HP					
575V - 3AC									
12394154	NA CFW11 0002 T5 ONFZ	2.9	2.7	2	2	B	50°C	Yes	\$2,948
12394157	NA CFW11 0004 T5 ONFZ	4.2	3.8	3	2	B	50°C	Yes	\$3,003
12394211	NA CFW11 0007 T5 ONFZ	7	6.4	5	5	B	50°C	Yes	\$3,275
12394213	NA CFW11 0010 T5 ONFZ	10	9	7.5	7.5	B	50°C	Yes	\$3,722
12394216	NA CFW11 0012 T5 ONFZ	12	10	10	7.5	B	50°C	Yes	\$4,302
12394248	NA CFW11 0017 T5 ONFZ	17	17	15	15	B	50°C	Yes	\$4,674
13111984	NA CFW11 0022 T5 ONFZ	22	19	20	15	C	50°C	Yes	\$6,210
13111985	NA CFW11 0027 T5 ONFZ	27	22	25	20	C	50°C	Yes	\$7,327
13111986	NA CFW11 0032 T5 ONFZ	32	27	30	25	C	50°C	Yes	\$8,488
13111987	NA CFW11 0044 T5 ONFZ	44	36	40	30	C	50°C	Yes	\$10,532
12394124	NA CFW11 0053 T6 ONBYZ	53	44	50	40	E	45°C	No	\$14,845
12394126	NA CFW11 0063 T6 ONBYZ	63	53	60	50	E	45°C	No	\$15,626
12394127	NA CFW11 0080 T6 ONBYZ	80	66	75	60	E	45°C	No	\$16,998
12394148	NA CFW11 0107 T6 ONBYZ	107	90	100	75	E	45°C	No	\$19,183
12394149	NA CFW11 0125 T6 ONBYZ	125	107	125	100	E	45°C	No	\$23,640
12394151	NA CFW11 0150 T6 ONBYZ	150	122	150	100	E	45°C	No	\$28,170
11994585	NA CFW11 0170 T6 OYZ	170	150	150	150	F	45°C	No	\$34,030
11994587	NA CFW11 0216 T6 OYZ	216	180	200	150	F	45°C	No	\$39,836
11994598	NA CFW11 0289 T6 OYZ	289	240	300	250	F	45°C	No	\$44,732
11994599	NA CFW11 0315 T6 OYZ	315	289	300	300	G	45°C	No	\$51,266
11994601	NA CFW11 0365 T6 OYZ	365	315	350	300	G	45°C	No	\$62,137
11994602	NA CFW11 0435 T6 OYZ	435	357	400	350	G	40°C	No	\$75,694
13786080	NA CFW11 0472 T6 OYZ	472	418	500	400	G	40°C	No	\$81,136
12800763	NA CFW11 0584 T6 OYZ	584	504	600	500	H	40°C	No	\$93,114
12800765	NA CFW11 0625 T6 OYZ	625	540	600	500	H	40°C	No	\$97,370
12800798	NA CFW11 0758 T6 OYZ	758	614	800	600	H	40°C	No	\$105,815
12800800	NA CFW11 0804 T6 OYZ	804	682	800	700	H	40°C	No	\$113,391

Overload Capacity:

ND = Normal Duty: 150% during 3 seconds; 110% during 60 seconds.

HD = Heavy Duty: 200% during 3 seconds; 150% during 60 seconds.

(1) Motor power ratings are based on: WEG - 4 poles - UL508-C - 575V/60Hz

(2) Maximum surrounding air temperature without current derating

(3) Frame size "H" does not have a built-in DC-link inductor. Input reactor(s) MUST be used.

(4) The CFW11 584 T6 and CFW11 625 T6 models have ONE rectifier input bridge and the input reactor must be connected on the bridge. The CFW11 0758 T6 and CFW11 0804 T models have TWO rectifier input bridges, the input reactors must be connected one per bridge.

Variable Frequency Drives

CFW11 - NEMA 1 - 500~600V

Material Number	Part Number	Rated Current		Motor ⁽¹⁾		Frame Size	Max. ⁽²⁾ Temp.	Brake Chopper	List Price
		ND	HD	ND	HD				
		A		HP					
575V - 3AC									
11995999	NA CFW11 0002 T5 ON1NFZ	2.9	2.7	2	2	B	50°C	Yes	\$3,082
11996002	NA CFW11 0004 T5 ON1NFZ	4.2	3.8	3	2	B	50°C	Yes	\$3,138
11996005	NA CFW11 0007 T5 ON1NFZ	7	6.4	5	5	B	50°C	Yes	\$3,410
11996006	NA CFW11 0010 T5 ON1NFZ	10	9	7.5	7.5	B	50°C	Yes	\$3,856
11996007	NA CFW11 0012 T5 ON1NFZ	12	10	10	7.5	B	50°C	Yes	\$4,438
11996058	NA CFW11 0017 T5 ON1NFZ	17	17	15	15	B	50°C	Yes	\$4,809
13107766	NA CFW11 0022 T5 ON1NFZ	22	19	20	15	C	50°C	Yes	\$6,364
13107778	NA CFW11 0027 T5 ON1NFZ	27	22	25	20	C	50°C	Yes	\$7,482
13107781	NA CFW11 0032 T5 ON1NFZ	32	27	30	25	C	50°C	Yes	\$8,644
13108091	NA CFW11 0044 T5 ON1NFZ	44	36	40	30	C	50°C	Yes	\$10,688
11990207	NA CFW11 0053 T6 ON1NBZY	53	44	50	40	E	45°C	No	\$14,951
11990239	NA CFW11 0063 T6 ON1NBZY	63	53	60	50	E	45°C	No	\$15,732
11990240	NA CFW11 0080 T6 ON1NBZY	80	66	75	60	E	45°C	No	\$17,104
11990242	NA CFW11 0107 T6 ON1NBZY	107	90	100	75	E	45°C	No	\$19,289
11990247	NA CFW11 0125 T6 ON1NBZY	125	107	125	100	E	45°C	No	\$23,747
11990299	NA CFW11 0150 T6 ON1NBZY	150	122	150	100	E	45°C	No	\$28,277

CFW11 - NEMA 1 With Safety Stop and Dynamic Braking Transistor - 500~600V

575V - 3AC									
12381398	NA CFW11 0022 T6 OYZ	22	19	20	15	D	50°C	Yes	\$8,354
12381399	NA CFW11 0027 T6 OYZ	27	22	25	20	D	50°C	Yes	\$8,965
12381400	NA CFW11 0032 T6 OYZ	32	27	30	25	D	50°C	Yes	\$11,472
12381401	NA CFW11 0044 T6 OYZ	44	36	40	30	D	50°C	Yes	\$14,014
11990300	NA CFW11 0053 T6 ON1YZ	53	44	50	40	E	45°C	Yes	\$16,119
11994559	NA CFW11 0063 T6 ON1YZ	63	53	60	50	E	45°C	Yes	\$18,308
11994561	NA CFW11 0080 T6 ON1YZ	80	66	75	60	E	45°C	Yes	\$20,795
11994578	NA CFW11 0107 T6 ON1YZ	107	90	100	75	E	45°C	Yes	\$24,457
11994581	NA CFW11 0125 T6 ON1YZ	125	107	125	100	E	45°C	Yes	\$27,634
11994583	NA CFW11 0150 T6 ON1YZ	150	122	150	100	E	45°C	Yes	\$33,917

Overload Capacity:

ND = Normal Duty: 150% during 3 seconds; 110% during 60 seconds.

HD = Heavy Duty: 200% during 3 seconds; 150% during 60 seconds.

(1) Motor power ratings are based on: WEG - 4 poles - UL508-C - 575V/60Hz

(2) Maximum surrounding air temperature without current derating

Variable Frequency Drives

CFW11 - RFI filter & Safety Stop- 660~690V

Material Number	Part Number	Rated Current		Motor ⁽¹⁾		Frame Size ⁽³⁾	Max. ⁽²⁾ Temp.	Brake Chopper	List Price
		ND	HD	ND	HD				
		A		HP					
690V - 3AC									
12381340	NA CFW11 0002 T6 OYZ	2.9	2.7	2	2	D	50°C	Yes	\$7,061
12381341	NA CFW11 0004 T6 OYZ	4.2	3.8	3	3	D	50°C	Yes	\$7,354
12381342	NA CFW11 0007 T6 OYZ	7	6.5	5	5	D	50°C	Yes	\$7,406
12381345	NA CFW11 0010 T6 OYZ	8.5	7	7.5	5	D	50°C	Yes	\$7,750
12381346	NA CFW11 0012 T6 OYZ	11	9	10	7.5	D	50°C	Yes	\$8,280
12381347	NA CFW11 0017 T6 OYZ	15	13	15	10	D	50°C	Yes	\$8,354
12381398	NA CFW11 0022 T6 OYZ	20	17	20	15	D	50°C	Yes	\$8,536
12381399	NA CFW11 0027 T6 OYZ	24	20	25	20	D	50°C	Yes	\$8,965
12381400	NA CFW11 0032 T6 OYZ	30	24	30	25	D	50°C	Yes	\$11,472
12381401	NA CFW11 0044 T6 OYZ	35	30	40	30	D	50°C	Yes	\$14,014
12381403	NA CFW11 0053 T6 OYZ	46	39	50	40	E	45°C	Yes	\$16,035
12381404	NA CFW11 0063 T6 OYZ	54	46	60	50	E	45°C	Yes	\$18,216
12382633	NA CFW11 0080 T6 OYZ	73	61	75	60	E	45°C	Yes	\$20,699
12382671	NA CFW11 0107 T6 OYZ	100	85	100	100	E	45°C	Yes	\$24,366
12382673	NA CFW11 0125 T6 OYZ	108	95	125	100	E	45°C	Yes	\$27,551
12382675	NA CFW11 0150 T6 OYZ	130	108	150	125	E	45°C	Yes	\$33,828
11994585	NA CFW11 0170 T6 OYZ	147	127	150	150	F	45°C	No	\$34,030
11994587	NA CFW11 0216 T6 OYZ	195	165	200	200	F	45°C	No	\$39,836
11994598	NA CFW11 0289 T6 OYZ	259	225	250	200	F	45°C	No	\$44,732
11994599	NA CFW11 0315 T6 OYZ	259	225	300	250	G	45°C	No	\$51,266
11994601	NA CFW11 0365 T6 OYZ	312	259	350	300	G	45°C	No	\$62,137
11994602	NA CFW11 0435 T6 OYZ	365	312	400	350	G	40°C	No	\$75,694
13786080	NA CFW11 0472 T6 OYZ	427	365	500	400	G	40°C	No	\$81,136
12800763	NA CFW11 0584 T6 OYZ	478	410	600	500	H	40°C	No	\$93,114
12800765	NA CFW11 0625 T6 OYZ	518	447	600	500	H	40°C	No	\$97,370
12800798	NA CFW11 0758 T6 OYZ	628	518	800	600	H	40°C	No	\$105,815
12800800	NA CFW11 0804 T6 OYZ	703	594	900	700	H	40°C	No	\$113,391

Overload Capacity:

ND = Normal Duty: 150% during 3 seconds; 110% during 60 seconds.

HD = Heavy Duty: 200% during 3 seconds; 150% during 60 seconds.

(1) Motor power ratings are based on: WEG - 4 poles - UL508-C - 690V/60Hz

(2) Maximum surrounding air temperature without current derating

(3) Frame size "H" does not have a built-in DC-link inductor. Input reactor(s) MUST be used.

(4) The CFW11 584 T6 and CFW11 625 T6 models have ONE rectifier input bridge and the input reactor must be connected on the bridge. The CFW11 0758 T6 and CFW11 0804 T models have TWO rectifier input bridges, the input reactors must be connected one per bridge.

Variable Frequency Drives

CFW11 - IP55 - 200~240V & 380~480V

Material Number	Part Number	Rated Current		Motor ⁽¹⁾		Frame Size	Max. ⁽²⁾ Temp.	Brake Chopper	List Price
		ND	HD	ND	HD				
		A		HP					
230V - 3AC									
13535022	EU CFW11 0007 T2 O55Z	7	7	2	2	B	40°C	Yes	\$2,524
13535139	EU CFW11 0010 T2 O55Z	10	10	3	3	B	40°C	Yes	\$2,952
13536637	EU CFW11 0013 T2 O55Z	13	11	3	3	B	40°C	Yes	\$3,079
13536872	EU CFW11 0016 T2 O55Z	16	13	5	3	B	40°C	Yes	\$3,613
13537272	EU CFW11 0024 T2 O55Z	24	20	7.5	5	B	40°C	Yes	\$4,063
13537277	EU CFW11 0028 T2 O55Z	28	24	10	7.5	B	40°C	Yes	\$4,246
13537311	EU CFW11 0033 T2 O55Z	33.5	28	10	10	B	40°C	Yes	\$4,750
13537387	EU CFW11 0045 T2 O55Z	45	36	15	10	C	40°C	Yes	\$5,354
13537453	EU CFW11 0054 T2 O55Z	54	45	20	15	C	40°C	Yes	\$6,456
13537457	EU CFW11 0070 T2 O55Z	70	56	25	20	C	40°C	Yes	\$7,584
13537918	EU CFW11 0086 T2 O55Z	86	70	30	25	D	40°C	Yes	\$9,866
13537968	EU CFW11 0105 T2 O55Z	105	86	40	30	D	40°C	Yes	\$12,737
13541539	EU CFW11 0142 T2 O55Z	142	115	50	40	E	40°C	No	\$17,444
13541546	EU CFW11 0180 T2 O55Z	180	142	60	50	E	40°C	No	\$22,448
13541556	EU CFW11 0211 T2 O55Z	211	180	75	60	E	40°C	No	\$28,492
460V - 3AC									
13957014	EU CFW11 0003 T4 O55Z	3.6	3.6	2	2	B	40°C	Yes	\$2,736
13957015	EU CFW11 0005 T4 O55Z	5	5	3	3	B	40°C	Yes	\$3,043
13957108	EU CFW11 0007 T4 O55Z	7	5.5	3	3	B	40°C	Yes	\$3,147
13957442	EU CFW11 0010 T4 O55Z	10	10	5	5	B	40°C	Yes	\$3,348
13957443	EU CFW11 0013 T4 O55Z	13.5	11	7.5	7.5	B	40°C	Yes	\$3,784
13957444	EU CFW11 0017 T4 O55Z	17	13.5	10	7.5	B	40°C	Yes	\$4,523
13957446	EU CFW11 0024 T4 O55Z	24	19	15	10	B	40°C	Yes	\$5,447
13957447	EU CFW11 0031 T4 O55Z	31	25	20	15	B	40°C	Yes	\$6,752
13957478	EU CFW11 0038 T4 O55Z	38	33	25	20	C	40°C	Yes	\$7,504
13957479	EU CFW11 0045 T4 O55Z	45	38	30	25	C	40°C	Yes	\$9,417
13957482	EU CFW11 0058 T4 O55Z	58.5	47	40	30	C	40°C	Yes	\$11,864
13957484	EU CFW11 0070 T4 O55Z	70.5	61	50	40	D	40°C	Yes	\$12,824
13957485	EU CFW11 0088 T4 O55Z	88	73	60	50	D	40°C	Yes	\$15,090
13538100	EU CFW11 0105 T4 O55Z	105	88	75	60	E	40°C	No	\$16,680
13545096	EU CFW11 0142 T4 O55Z	142	105	100	75	E	40°C	No	\$19,970
13545192	EU CFW11 0180 T4 O55Z	180	142	150	100	E	40°C	No	\$26,130
13545196	EU CFW11 0211 T4 O55Z	211	180	150	150	E	40°C	No	\$31,017

Overload Capacity:

ND = Normal Duty: 150% during 3 seconds; 110% during 60 seconds.

HD = Heavy Duty: 200% during 3 seconds; 150% during 60 seconds.

(1) Motor power ratings are based on: WEG - 4 poles - UL508-C - 230V/60Hz & 460V/60Hz

(2) Maximum surrounding air temperature without current derating

Variable Frequency Drives

CFW11 - IP55 & Disconnect Switch - 200~240V & 380~480V

Material Number	Part Number	Rated Current		Motor ⁽¹⁾		Frame Size	Max. ⁽²⁾ Temp.	Brake Chopper	List Price
		ND	HD	ND	HD				
		A		HP					
230V - 3AC									
13535024	EU CFW11 0007 T2 O55DSZ	7	7	2	2	B	40°C	Yes	\$2,651
13535142	EU CFW11 0010 T2 O55DSZ	10	10	3	3	B	40°C	Yes	\$3,100
13536868	EU CFW11 0013 T2 O55DSZ	13	11	3	3	B	40°C	Yes	\$3,234
13536873	EU CFW11 0016 T2 O55DSZ	16	13	5	3	B	40°C	Yes	\$3,793
13537273	EU CFW11 0024 T2 O55DSZ	24	20	7.5	5	B	40°C	Yes	\$4,155
13537308	EU CFW11 0028 T2 O55DSZ	28	24	10	7.5	B	40°C	Yes	\$4,320
13537312	EU CFW11 0033 T2 O55DSZ	33.5	28	10	10	B	40°C	Yes	\$4,987
13537449	EU CFW11 0045 T2 O55DSZ	45	36	15	10	C	40°C	Yes	\$5,622
13537454	EU CFW11 0054 T2 O55DSZ	54	45	20	15	C	40°C	Yes	\$6,779
13537478	EU CFW11 0070 T2 O55DSZ	70	56	25	20	C	40°C	Yes	\$7,963
13537919	EU CFW11 0086 T2 O55DSZ	86	70	30	25	D	40°C	Yes	\$10,358
13537969	EU CFW11 0105 T2 O55DSZ	105	86	40	30	D	40°C	Yes	\$13,373
13541540	EU CFW11 0142 T2 O55DSZ	142	115	50	40	E	40°C	No	\$18,316
13541547	EU CFW11 0180 T2 O55DSZ	180	142	60	50	E	40°C	No	\$23,569
13541579	EU CFW11 0211 T2 O55DSZ	211	180	75	60	E	40°C	No	\$29,916
460V - 3AC									
13957487	EU CFW11 0003 T4 O55DSZ	3.6	3.6	2	2	B	40°C	Yes	\$2,874
13957529	EU CFW11 0005 T4 O55DSZ	5	5	3	3	B	40°C	Yes	\$3,097
13957530	EU CFW11 0007 T4 O55DSZ	7	5.5	3	3	B	40°C	Yes	\$3,272
13957532	EU CFW11 0010 T4 O55DSZ	10	10	5	5	B	40°C	Yes	\$3,410
13957533	EU CFW11 0013 T4 O55DSZ	13.5	11	7.5	7.5	B	40°C	Yes	\$3,897
13957534	EU CFW11 0017 T4 O55DSZ	17	13.5	10	7.5	B	40°C	Yes	\$4,749
13957536	EU CFW11 0024 T4 O55DSZ	24	19	15	10	B	40°C	Yes	\$5,719
13957537	EU CFW11 0031 T4 O55DSZ	31	25	20	15	B	40°C	Yes	\$7,090
13957588	EU CFW11 0038 T4 O55DSZ	38	33	25	20	C	40°C	Yes	\$7,880
13957589	EU CFW11 0045 T4 O55DSZ	45	38	30	25	C	40°C	Yes	\$9,887
13957590	EU CFW11 0058 T4 O55DSZ	58.5	47	40	30	C	40°C	Yes	\$12,458
13957592	EU CFW11 0070 T4 O55DSZ	70.5	61	50	40	D	40°C	Yes	\$13,465
13957593	EU CFW11 0088 T4 O55DSZ	88	73	60	50	D	40°C	Yes	\$15,845
13540820	EU CFW11 0105 T4 O55DSZ	105	88	75	60	E	40°C	No	\$17,514
13545097	EU CFW11 0142 T4 O55DSZ	142	105	100	75	E	40°C	No	\$20,969
13545193	EU CFW11 0180 T4 O55DSZ	180	142	150	100	E	40°C	No	\$27,436
13545197	EU CFW11 0211 T4 O55DSZ	211	180	150	150	E	40°C	No	\$32,568

Overload Capacity:

ND = Normal Duty: 150% during 3 seconds; 110% during 60 seconds.

HD = Heavy Duty: 200% during 3 seconds; 150% during 60 seconds.

(1) Motor power ratings are based on: WEG - 4 poles - UL508-C - 230V/60Hz & 460V/60Hz

(2) Maximum surrounding air temperature without current derating

Variable Frequency Drives

CFW11 - Accessories

Material Number	Part Number	Slot	Description	List Price
Dynamic Braking				
10790788	DBW03 0380	-	External Dynamic Braking Module for sizes F and G (380A - 380~480V)	\$9,114
10794631	DBW03 0250	-	External Dynamic Braking Module for sizes F and G (250A - 500~690V)	\$8,862
13238895	DBW04 0380	-	External Dynamic Braking Module for size H (380A - 380~480V)	\$9,114
13166838	DBW04 0250	-	External Dynamic Braking Module for size H (250A - 500~690V)	\$8,862
I/O Expansion Modules				
11008162	IOA-01	1	IOA Module for CFW-11: 1 analog input (14 bits, voltage or current); 2 digital inputs; 2 analog outputs (14 bits, voltage or current); 2 digital outputs (open-collector).	\$1,628
11008099	IOB-01	1	IOB Module for CFW-11: 2 isolated analog inputs (12 bits, voltage or current); 2 digital inputs; 2 isolated analog outputs (11 bits, voltage or current); 2 digital outputs (open-collector).	\$869
11126674	IOC-01	1	IOC-01 Module for SoftPLC applications: 8 isolated digital inputs; 4 relay digital outputs (max. 240V / 1A)	\$649
11126730	IOC-02	1	IOC-02 Module for SoftPLC applications: 8 isolated digital inputs; 8 NPN type digital outputs	\$598
11820111	IOC-03	1	IOC-03 Module for SoftPLC applications: 8 isolated digital inputs; 7 PNP type digital outputs	\$596
Temperature Transducers Modules				
11126732	IOE-01	1	PTC temperature transducer (5 sensor inputs)	\$969
11126735	IOE-02	1	PT100 temperature transducer module (5 sensor inputs)	\$1,253
11126750	IOE-03	1	KTY84 temperature transducer module (5 sensor inputs)	\$1,253
Encoder Modules				
11008100	ENC-01	2	Incremental encoder module, 5 to 12 VDC at 100 kHz, with encoder signal repeater.	\$714
11008101	ENC-02	2	Incremental encoder module, 5 to 12 VDC at 100 kHz, without encoder signal repeater.	\$626
Communication Modules				
11008102	RS485-01	3	RS-485 serial communication module (Modbus-RTU)	\$329
11008103	RS232-01	3	RS-232C serial communication module (Modbus-RTU)	\$250
11008104	RS232-02	3	RS-232C serial communication module with DIP-switches for microcontroller's flash memory programming.	\$278
11008105	CAN/RS485-01	3	CAN and RS-485 communication module (CANopen / Modbus/DeviceNet)	\$702
11008106	CAN-01	3	CAN interface module (CANopen/DeviceNet)	\$586
11045488	PROFIBUS DP-01	3	Profibus DP-V1 interface module	\$793
11008107	PROFDP-05	4	Profibus DP-V1 interface module	\$1,761
11008158	DEVICENET-05	4	DeviceNet interface module	\$1,619
10933688	ETHERNET/IP-05	4	Ethernet/IP interface module - 1 Port	\$1,619
12272760	ETHERNETIP-2P-05	4	Ethernet/IP interface module - 2 Ports	\$2,003
14926615	ETHERCAT-05	4	EtherCAT interface module	\$2,107
11008160	RS232-05	4	RS-232 serial communication module (Modbus-RTU)	\$429
11008161	RS485-05	4	RS-485 serial communication module (Modbus-RTU)	\$516
11550476	MODBUSTCP-05	4	Modbus - TCP/IP interface module - 1 Port	\$1,619
14033951	MODBUSTCP-2P-05	4	Modbus - TCP/IP interface module - 2 Ports	\$2,957
11550548	PROFINETIO-05	4	Profinet interface module - 2 Ports	\$3,000
PLC Module				
11008911	PLC11-01	1 2 3	PLC functions; Ladder programming; electronic gear box; 9 digital inputs; 3 dry-contact digital outputs; 3 open-collector digital outputs; 1 analog input (14 bits); 2 analog outputs (14 bits); 2 encoder interfaces; RS-485 Modbus-RTU interface; CAN interface (CANopen, CANopen master/slave).	\$3,032
11094251	PLC11-02	1 2 3	PLC functions; Ladder programming; electronic gear box; 4 digital inputs; 1 dry-contact digital output; 3 open-collector digital outputs; ; 2 encoder interfaces; RS-485 Modbus-RTU interface; CAN interface (CANopen, CANopen master/slave).	\$1,880
Keypad Accessories				
11008913	HMI-01	-	CFW-11 keypad	\$493
11010521	RHMIF-01	-	Frame for keypad remote assembly, IP56	\$93
11010298	HMID-01	-	Blank cover for keypad slot	\$74

Variable Frequency Drives

CFW11 - Accessories

Material Number	Part Number	Slot	Description	List Price
Cables for HMI				
10950192	CAB-RS-1M	-	1m (3.3ft) Remote Keypad Cable	\$74
10951226	CAB-RS-2M	-	2m (6.6ft) Remote Keypad Cable	\$81
10951223	CAB-RS-3M	-	3m (10ft) Remote Keypad Cable	\$90
10951227	CAB-RS-5M	-	5m (16ft) Remote Keypad Cable	\$102
10951240	CAB-RS-7,5M	-	7.5m (25ft) Remote Keypad Cable	\$121
10951239	CAB-RS-10M	-	10m (33ft) Remote Keypad Cable	\$137
Conduit Kit				
11010787	KN1A-01	-	NEMA 1 - Conduit kit for frame size A + Power cables shielding	\$114
11010800	KN1B-01	-	NEMA 1 - Conduit kit for frame size B + Power cables shielding	\$135
11010802	KN1C-01	-	NEMA 1 - Conduit kit for frame size C + Power cables shielding	\$154
11010264	KIP21D-01	-	IP21 - Kit for frame size D (top cover)	\$161
10960842	KN1E-01	-	NEMA 1 – Top cover kit for frame size E (T4 - 105 and 142A / T6 - All sizes)	\$104
10960850	KN1E-02	-	NEMA 1 – Top cover kit + Conduit for frame size E (T4 – 180 and 211A)	\$284
11417558	KN1F-01	-	NEMA 1 - Conduit kit for frame size F	\$544
11417559	KN1G-01	-	NEMA 1 - Conduit kit for frame size G	\$615
12362029	KIP20	-	IP20 kit for DBW03 / DBW04	\$128
Shielding Kit (included in the FA models)				
11010265	PCSA-01	-	Power cables shielding kit for frame size A	\$66
11010266	PCSB-01	-	Power cables shielding kit for frame size B	\$69
11010267	PCSC-01	-	Power cables shielding kit for frame size C	\$74
Extractable Mounting				
11337710	KME-01	-	Kit for Extractable Mounting - Frame size E	\$1,477
11337634	KMF-01	-	Kit for Extractable Mounting - Frame size F	\$1,525
11337714	KMG-01	-	Kit for Extractable Mounting - Frame size G	\$1,624
12715724	KMH-01	-	Kit for Extractable Mounting - Frame size H	\$1,704
Safety Stop Deactivation				
13429125	CFW11-KSDC	-	Kit to deactivate Safety Stop function in VFD models that has this feature	\$37

CFW11 Optional

External 24 VDC Power Supply				
-	W option 1	-	Additional price for 24 VDC power supply W1 is for frame sizes A,B,C, D and E except for frame size D T5 and T6	\$1,011
-	W option 2	-	Additional price for 24 VDC power supply W2 is for frame Sizes F, G, H and frame sizes D T5 and T6	\$1,242

The CFW501 family was designed to meet the needs of the HVAC-R market (heating, ventilation, air conditioning and refrigeration), also offering the following special functions: FireMode, Bypass, BACnet Communication, Dry Pump Control and Broken Belt Identification. The CFW501 family is perfect for use in ventilation and pumping systems that are often found in shopping malls, hotels, airports, etc.



Certifications:



Technical data:

- Single and three-phase power supply.
- Voltage range: 200-240Vac and 380-480Vac, both for three-phase models.
- Current / Power range: up to 31Amps / 15 kW (20 HP)
- Control mode: scalar (V/Hz) or voltage vector VVW.
- Switching frequency: 2.5 to 15kHz.
- Overload capacity: 110% for 60sec every 10min, 150% for 3sec every 10min.
- Degree of protection: IP20.
- Operating temperature: -10 to 50°C. 40°C if installed side-by-side.
up to 60°C with current derating (2% for each 1°C above 40°C).
- Altitude: 0 to 1000m
up to 4000m with current derating (1% for every 100m above 1000m)
- Humidity: 5 to 90% non-condensing.
- Integrated brake chopper for frame size B, C and D (not available for size A).
- Built-in PID controller (3x).
- Local keypad supplied as standard.
- Built-in RFI Filter

I/O connections:

	CRS485
Digital inputs	4
Digital outputs	1
Relay outputs	2
Analog inputs	2
Analog outputs	1

Fieldbus:

Modbus RTU	BACnet	Metasys N2
CRS485 (built-in)	CRS485 (built-in)	CRS485 (built-in)

Accessories:

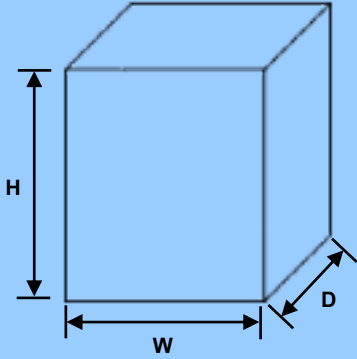
- IP21/NEMA 1 kit
- Flash Memory
- External HMI

CFW501

HVAC-R Variable Frequency Drive

Product and Series	Model Identification				Braking	Degree of Protection	Conducted Emission Level	Special Hardware	Special Firmware
	Frame Size	Rated Current	No. of phases power supply	Rated Voltage					
CFW501	A	01P6	T	4	NB	20	C2	-	-
CFW501	A	01P0 = 1.0	T = three-phase						
	B	01P6 = 1.6	2 = 200...240V						
	C	02P6 = 2.6	4 = 380...480V						
	D	04P3 = 4.3	NB = without braking chopper						
		06P1 = 6.1	DB = braking chopper						
		06P5 = 6.5	20 = IP20						
		07P0 = 7.0	N1 = NEMA 1 Enclosure						
		07P3 = 7.3	Blank = without RFI filter						
		09P6 = 9.6	C2 = According to category 2 of IEC 61800-3 standard						
		10P0 = 10	C3 = According to category 3 of IEC 61800-3 standard						
		14P0 = 14	Hx = special hardware						
		16P0 = 16	Blank = Standard firmware						
	24P0 = 24	Sx = special firmware							
	31P0 = 31								

mm (in)				
Frame size	Height mm (in)	Width mm (in)	Depth mm (in)	Weight kg (lbs)
A	190 (7.48)	76 (2.99)	150 (5.91)	0.8 (1.76)
B	200 (7.87)	101 (3.98)	161 (6.34)	1.2 (2.65)
C	210 (8.27)	135.2 (5.32)	165.1 (6.5)	2.0 (4.41)
D	306.6 (12.07)	180 (7.09)	166.5 (6.56)	4.3 (9.48)



Variable Frequency Drives

CFW501 - RFI Filter (with CRS485 plug-in module built-in) - 200~240V & 380~480V

Material Number	Part Number	Rated Current	Motor ⁽¹⁾	Frame Size	Max. ⁽²⁾ Temp.	Brake Chopper	List Price
		A	HP				
230V - 3AC							
12199697	CFW501 A 01P6 T2 NB20C3	1.6	0.33	A	40°C	No	\$999
12199688	CFW501 A 02P6 T2 NB20C3	2.6	0.5	A	40°C	No	\$1,068
12199776	CFW501 A 04P3 T2 NB20C3	4.3	1	A	40°C	No	\$1,156
12199777	CFW501 A 07P0 T2 NB20C3	7	2	A	40°C	No	\$1,306
12199869	CFW501 A 09P6 T2 NB20C3	9.6	3	A	40°C	No	\$1,426
13531340	CFW501 A 12P2 T2 NB20C3	12.2	3	A	40°C	No	\$1,475
13608660	CFW501 B 16P0 T2 DB20C3	16	5	B	40°C	Yes	\$1,756
12209447	CFW501 B 17P0 T2 DB20C3	17	5	B	40°C	Yes	\$1,808
13531425	CFW501 B 19P4 T2 DB20C3	19.4	5	B	40°C	Yes	\$1,865
12209558	CFW501 C 24P0 T2 DB20C3	24	7.5	C	40°C	Yes	\$2,087
460V - 3AC							
12209559	CFW501 A 01P0 T4 NB20C3	1	0.33	A	40°C	No	\$1,321
12209560	CFW501 A 01P6 T4 NB20C3	1.6	0.75	A	40°C	No	\$1,349
12209561	CFW501 A 02P6 T4 NB20C3	2.6	1	A	40°C	No	\$1,418
12209564	CFW501 A 04P3 T4 NB20C3	4.3	2	A	40°C	No	\$1,627
12209624	CFW501 A 06P1 T4 NB20C3	6.1	3	A	40°C	No	\$1,865
12209565	CFW501 B 02P6 T4 DB20C3	2.6	1	B	40°C	Yes	\$1,482
12209567	CFW501 B 04P3 T4 DB20C3	4.3	2	B	40°C	Yes	\$1,699
12209619	CFW501 B 06P5 T4 DB20C3	6.5	3	B	40°C	Yes	\$1,937
12209620	CFW501 B 10P0 T4 DB20C3	10	5	B	40°C	Yes	\$2,251
12209621	CFW501 C 14P0 T4 DB20C2	14	10	C	40°C	Yes	\$2,694
12209622	CFW501 C 16P0 T4 DB20C2	16	10	C	40°C	Yes	\$3,072
13244840	CFW501 D 24P0 T4 DB20C3	24	15	D	40°C	Yes	\$3,732
13244841	CFW501 D 31P0 T4 DB20C3	31	20	D	40°C	Yes	\$4,622

(1) Motor power ratings are based on: WEG - 4 poles - UL508-C - 230V/60Hz & 460V/60Hz

(2) Maximum surrounding air temperature without current derating

Models T2 12P2, 17P0 and 19P4 are not UL listed.

Variable Frequency Drives

CFW501 - NEMA 1 with RFI Filter (with CRS485 plug-in module built-in) - 200~240V & 380~480V

Material Number	Part Number	Rated Current	Motor ⁽¹⁾	Frame Size	Max. ⁽²⁾ Temp.	Brake Chopper	List Price
		A	HP				
230V - 3AC							
12350001	CFW501 A 01P6 T2 NBN1C3	1.6	0.33	A	40°C	No	\$1,044
12350088	CFW501 A 02P6 T2 NBN1C3	2.6	0.5	A	40°C	No	\$1,112
12350089	CFW501 A 04P3 T2 NBN1C3	4.3	1	A	40°C	No	\$1,201
12350094	CFW501 A 07P0 T2 NBN1C3	7	2	A	40°C	No	\$1,349
12350097	CFW501 A 09P6 T2 NBN1C3	9.6	3	A	40°C	No	\$1,470
13531342	CFW501 A 12P2 T2 NBN1C3	12.2	3	A	40°C	No	\$1,518
13608661	CFW501 B 16P0 T2 DBN1C3	16	5	B	40°C	Yes	\$1,808
12350152	CFW501 B 17P0 T2 DBN1C3	17	5	B	40°C	Yes	\$1,861
13531426	CFW501 B 19P4 T2 DBN1C3	19.4	5	B	40°C	Yes	\$1,918
12350153	CFW501 C 24P0 T2 DBN1C3	24	7.5	C	40°C	Yes	\$2,154
460V - 3AC							
12350157	CFW501 A 01P0 T4 NBN1C3	1	0.33	A	40°C	No	\$1,366
12350311	CFW501 A 01P6 T4 NBN1C3	1.6	0.75	A	40°C	No	\$1,394
12350312	CFW501 A 02P6 T4 NBN1C3	2.6	1	A	40°C	No	\$1,463
12350313	CFW501 A 04P3 T4 NBN1C3	4.3	2	A	40°C	No	\$1,671
12350314	CFW501 A 06P1 T4 NBN1C3	6.1	3	A	40°C	No	\$1,909
12350315	CFW501 B 02P6 T4 DBN1C3	2.6	1	B	40°C	Yes	\$1,535
12350316	CFW501 B 04P3 T4 DBN1C3	4.3	2	B	40°C	Yes	\$1,752
12350317	CFW501 B 06P5 T4 DBN1C3	6.5	3	B	40°C	Yes	\$1,990
12350398	CFW501 B 10P0 T4 DBN1C3	10	5	B	40°C	Yes	\$2,304
12350399	CFW501 C 14P0 T4 DBN1C2	14	10	C	40°C	Yes	\$2,763
12350400	CFW501 C 16P0 T4 DBN1C2	16	10	C	40°C	Yes	\$3,141
13721559	CFW501 D 24P0 T4 DBN1C3	24	15	D	40°C	Yes	\$3,825
13721560	CFW501 D 31P0 T4 DBN1C3	31	20	D	40°C	Yes	\$4,715

(1) Motor power ratings are based on: WEG - 4 poles - UL508-C - 230V/60Hz & 460V/60Hz

(2) Maximum surrounding air temperature without current derating

Models T2 12P2, 17P0 and 19P4 are not UL listed.

CFW501 - Accessories

Material Number	Part Number	Description	List Price
11636485	CFW500-MMF	Flash memory module	\$300
12254593	CFW501-HMIR	Remote keypad	\$267
12330016	CFW500-CCHMIR01M	1m (3.3ft) remote keypad cable	\$38
12330459	CFW500-CCHMIR02M	2m (6.6ft) remote keypad cable	\$50
12330460	CFW500-CCHMIR03M	3m (10ft) remote keypad cable	\$66
12330461	CFW500-CCHMIR05M	5m (16ft) remote keypad cable	\$81
12330462	CFW500-CCHMIR75M	7.5m (25ft) remote keypad cable	\$98
12330463	CFW500-CCHMIR10M	10m (33ft) remote keypad cable	\$114
12254653	CFW501-KN1A	NEMA 1 kit – frame size A (standard for N1)	\$46
12254901	CFW501-KN1B	NEMA 1 kit – frame size B (standard for N1)	\$54
12254902	CFW501-KN1C	NEMA 1 kit – frame size C (standard for N1)	\$71
13251766	CFW501-KN1D	NEMA 1 kit – frame size D (standard for N1)	\$93

The CFW701 HVAC is the product specifically designed for use in applications where mainly fans, compressors and pumps are the driven loads. This product has specific HVAC functionalities used on Heating, Ventilation, Air-Conditioning and Refrigeration market.



Certifications:



Technical data:

- Single and three-phase power supply.
- Voltage range: 200-240Vac for single-phase models.
200-240Vac, 380-480Vac or 500-600Vac for three-phase models.
- Current / Power range: up to 211Amps / 132kW (180HP)
- Control mode: scalar (V/Hz), open loop vector sensorless.
- Switching frequency: 2.5, 5 or 10kHz
- Overload capacity: Normal Duty (ND) = 110% for 60sec every 10min
- Degree of protection: IP20, NEMA 1 and NEMA 12 / IP55
- Operating temperature: please check the User's Manual
- Altitude: 0 to 1000m
up to 4000m with current derating (1% for every 100m above 1000m)
- Humidity: 5 to 90% non-condensing.
- Integrated brake chopper up to frame size D. Built-in option for frame size E.
- Built-in RFI filter
- DC link inductors
- Built-in PID controller.
- Local LCD keypad with backlight as standard. Engineering units: psi,bar, °C,gal,ft,in,gal/min,l/s
- Soft PLC

I/O connections:

	Std	CCK-01
Digital inputs	8	-
Digital outputs	3	-
Relay outputs	2	2
Analog inputs	3	-
Analog outputs	2	-

Fieldbus:

RS232 WEGbus	RS485 WEGbus	Modbus RTU	Modbus TCP	Profibus DP	Profibus DPV1	CANopen	DeviceNet	EtherNet/IP	BACnet	Metasys N2
N/A	N/A	Built-in the product terminals as standard	N/A	N/A	N/A	N/A	N/A	N/A	Built-in the product terminals as standard	Built-in the product terminals as standard

- Accessories:

- IP21 / NEMA 1 kits.
- Remote keypad kit
- Flash memory

- Built-in Optionals:

- Safe Torque Off (STO) function in accordance with EN ISO 13849-1 (Cat. 3 / PL d) and IEC 62061 / IEC 61508 (SIL 2)
- External +24Vdc power supply for control board

- Special Functions:

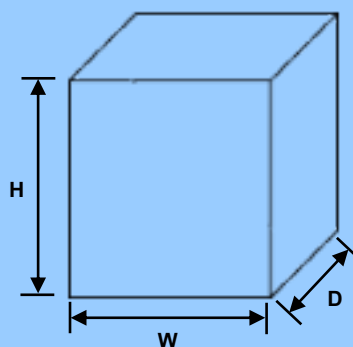
- Fire Mode
- Dry Pump
- Broken belt
- By-Pass
- Energy Saving
- Sleep Mode
- Wake-up Mode
- Short Cycle Protection - Compressors
- Two additional PID controllers

HVAC Variable Frequency Drive

Product and Series	Model Identification				Braking	Degree of Protection	Conducted Emission Level	Safety Stop	External power supply for control	Special hardware version	Special firmware version:
	Frame size	Rated current	No. of phases power supply	Rated voltage							
CFW701	A	03P6	T	4	NB	20	C3	Y1	W1	-	-
CFW701	A	3P6 = 3.6	S = single-phase								
		05P0 = 5.0	B = single/three-phase								
		06P0 = 6.0	T = three-phase								
		07P0 = 7.0	2 = 200...240V								
		10P0 = 10	4 = 380...480V								
		13P0 = 13	5 = 500...600V								
		13P5 = 13.5									
	B	16P0 = 16	NB = without Braking chopper								
		17P0 = 17	DB = Braking chopper								
		24P0 = 24	20 = IP20								
		28P0 = 28	21 = IP21 (not available for frame size E)								
		31P0 = 31	N1 = NEMA 1 Enclosure								
	C	33P5 = 33.5	55 = IP55								
		38P0 = 38	Blank = without RFI filter								
		45P0 = 45	C3 = According to category 3 of IEC 61800-3 standard								
		54P0 = 54	Blank = without STO function								
		58P5 = 58.5	Y1 = with STO function according to EN 954-1 / ISO 13849-1, category 3								
	D	70P0 = 70	Blank = without External Power supply board								
70P5 = 70.5		W1 = Control circuit is supplied through an external 24V power supply									
86P0 = 86		Blank = not available									
88P0 = 88		Hxx or Kxx = special hardware									
E	0105 = 105	Blank = standard									
	0105 = 105	Sx = special firmware									
	0142 = 142										
	0180 = 180										
		0211 = 211									

Dimensions and weight (without packaging):

IP20				
Frame size	Height	Width	Depth	Weight
A	270 (10.63)	145 (5.71)	227 (8.94)	6.3 (13.89)
B	316 (12.44)	190 (7.48)	227 (8.94)	10.4 (22.93)
C	405 (15.94)	220 (8.66)	293 (11.54)	20.5 (45.19)
D	550 (21.65)	300 (11.81)	305 (12.01)	32.6 (71.87)
E	675 (26.57)	335 (13.19)	358 (14.09)	65.0 (143.30)
NEMA 12 / IP55				
B	529 (20.83)	273 (10.75)	279 (10.98)	17.0 (37.48)
C	670 (26.38)	307 (12.09)	348 (13.70)	30.0 (66.14)
D	754 (29.69)	375 (14.76)	301 (11.85)	49.0 (108.03)
E	1000 (39.37)	430 (16.93)	389 (15.31)	96.0 (211.64)



Variable Frequency Drives

CFW701 - RFI Filter - 200~240V & 380~480V

Material Number	Part Number	Rated Current		Motor ⁽¹⁾		Frame Size	Max. ⁽²⁾ Temp.	Brake Chopper	List Price
		ND	HD	ND	HD				
		A		HP					
230V - 1AC									
11801572	CFW701 A 06P0 S2 DB20C3	6	5	1.5	1	A	50°C	Yes	\$2,455
11801619	CFW701 A 07P0 S2 DB20C3	7	7	2	2	A	50°C	Yes	\$2,530
11801621	CFW701 A 10P0 S2 DB20C3	10	10	3	3	A	50°C	Yes	\$2,694
230V - 3AC									
11802262	CFW701 A 07P0 T2 DB20C3	7	7	2	2	A	50°C	Yes	\$2,343
11802263	CFW701 A 10P0 T2 DB20C3	10	10	3	3	A	50°C	Yes	\$2,495
11802264	CFW701 A 13P0 T2 DB20C3	13	11	3	3	A	45°C	Yes	\$2,602
11802265	CFW701 A 16P0 T2 DB20C3	16	13	5	3	A	50°C	Yes	\$2,802
11802266	CFW701 B 24P0 T2 DB20C3	24	20	7.5	5	B	45°C	Yes	\$3,492
11802267	CFW701 B 28P0 T2 DB20C3	28	24	10	7.5	B	50°C	Yes	\$3,563
11802338	CFW701 B 33P5 T2 DB20C3	33.5	28	10	10	B	50°C	Yes	\$4,074
11802342	CFW701 C 45P0 T2 DB20C3	45	36	15	10	C	50°C	Yes	\$4,856
11802343	CFW701 C 54P0 T2 DB20C3	54	45	20	15	C	50°C	Yes	\$6,006
11802344	CFW701 C 70P0 T2 DB20C3	70	56	25	20	C	50°C	Yes	\$7,026
11802348	CFW701 D 86P0 T2 DBN1C3	86	70	30	25	D	50°C	Yes	\$9,077
11802349	CFW701 D 0105 T2 DBN1C3	105	86	40	30	D	50°C	Yes	\$11,080
11802352	CFW701 E 0142 T2 NB20C3	142	115	50	40	E	45°C	No	\$15,732
11802353	CFW701 E 0180 T2 NB20C3	180	142	60	50	E	45°C	No	\$21,911
11802354	CFW701 E 0211 T2 NB20C3	211	180	75	60	E	45°C	No	\$28,717
460V - 3AC									
11801658	CFW701 A 03P6 T4 DB20C3	3.6	3.6	2	2	A	50°C	Yes	\$2,363
11801992	CFW701 A 05P0 T4 DB20C3	5	5	3	3	A	50°C	Yes	\$2,519
11802071	CFW701 A 07P0 T4 DB20C3	7	5.5	3	3	A	45°C	Yes	\$2,606
11802077	CFW701 A 10P0 T4 DB20C3	10	10	5	5	A	45°C	Yes	\$2,694
11802261	CFW701 A 13P5 T4 DB20C3	13.5	11	7.5	7.5	A	50°C	Yes	\$2,829
11802339	CFW701 B 17P0 T4 DB20C3	17	13.5	10	7.5	B	50°C	Yes	\$3,368
11802340	CFW701 B 24P0 T4 DB20C3	24	19	15	10	B	50°C	Yes	\$4,102
11802341	CFW701 B 31P0 T4 DB20C3	31	25	20	15	B	50°C	Yes	\$5,203
11802345	CFW701 C 38P0 T4 DB20C3	38	33	25	20	C	50°C	Yes	\$6,077
11802346	CFW701 C 45P0 T4 DB20C3	45	38	30	25	C	50°C	Yes	\$7,693
11802347	CFW701 C 58P5 T4 DB20C3	58.5	47	40	30	C	50°C	Yes	\$9,181
11802350	CFW701 D 70P5 T4 DBN1C3	70.5	61	50	40	D	50°C	Yes	\$10,142
11802351	CFW701 D 88P0 T4 DBN1C3	88	73	60	50	D	50°C	Yes	\$12,213
11802358	CFW701 E 0105 T4 NB20C3	105	88	75	60	E	45°C	No	\$13,968
11802359	CFW701 E 0142 T4 NB20C3	142	115	100	75	E	45°C	No	\$16,442
11802360	CFW701 E 0180 T4 NB20C3	180	142	150	100	E	45°C	No	\$23,994
11802361	CFW701 E 0211 T4 NB20C3	211	180	150	150	E	45°C	No	\$27,952

Overload Capacity:

ND = Normal Duty: 150% during 3 seconds; 110% during 60 seconds.

(1) Motor power ratings are based on: WEG - 4 poles - UL508-C - 230V/60Hz & 460V/60Hz

(2) Maximum surrounding air temperature without current derating

Variable Frequency Drives

CFW701 - NEMA 1 with RFI Filter - 200~240V & 380~480V

Material Number	Part Number	Rated Current		Motor ⁽¹⁾		Frame Size	Max. ⁽²⁾ Temp.	Brake Chopper	List Price
		ND	HD	ND	HD				
		A		HP					
230V - 1AC									
12113278	CFW701 A 06P0 S2 DBN1C3	6	5	1.5	1	A	50°C	Yes	\$2,622
12113281	CFW701 A 07P0 S2 DBN1C3	7	7	2	2	A	50°C	Yes	\$2,698
12113282	CFW701 A 10P0 S2 DBN1C3	10	10	3	3	A	50°C	Yes	\$2,862
230V - 3AC									
12113283	CFW701 A 07P0 T2 DBN1C3	7	7	2	2	A	50°C	Yes	\$2,511
12113284	CFW701 A 10P0 T2 DBN1C3	10	10	3	3	A	50°C	Yes	\$2,663
12113285	CFW701 A 13P0 T2 DBN1C3	13	11	3	3	A	45°C	Yes	\$2,770
12113298	CFW701 A 16P0 T2 DBN1C3	16	13	5	3	A	50°C	Yes	\$2,969
12104733	CFW701 B 24P0 T2 DBN1C3	24	20	7.5	5	B	45°C	Yes	\$3,660
12104734	CFW701 B 28P0 T2 DBN1C3	28	24	10	7.5	B	50°C	Yes	\$3,731
12104735	CFW701 B 33P5 T2 DBN1C3	33.5	28	10	10	B	50°C	Yes	\$4,242
12104749	CFW701 C 45P0 T2 DBN1C3	45	36	15	10	C	50°C	Yes	\$5,048
12104750	CFW701 C 54P0 T2 DBN1C3	54	45	20	15	C	50°C	Yes	\$6,197
12104754	CFW701 C 70P0 T2 DBN1C3	70	56	25	20	C	50°C	Yes	\$7,218
11802348	CFW701 D 86P0 T2 DBN1C3	86	70	30	25	D	50°C	Yes	\$9,077
11802349	CFW701 D 0105 T2 DBN1C3	105	86	40	30	D	50°C	Yes	\$11,080
12104757	CFW701 E 0142 T2 NBN1C3	142	115	50	40	E	45°C	No	\$15,836
12104780	CFW701 E 0180 T2 NBN1C3	180	142	60	50	E	45°C	No	\$22,195
12104781	CFW701 E 0211 T2 NBN1C3	211	180	75	60	E	45°C	No	\$29,001
460V - 3AC									
12113299	CFW701 A 03P6 T4 DBN1C3	3.6	3.6	2	2	A	50°C	Yes	\$2,530
12113300	CFW701 A 05P0 T4 DBN1C3	5	5	3	3	A	50°C	Yes	\$2,686
12113302	CFW701 A 07P0 T4 DBN1C3	7	5.5	3	3	A	45°C	Yes	\$2,774
12113303	CFW701 A 10P0 T4 DBN1C3	10	10	5	5	A	45°C	Yes	\$2,862
12113304	CFW701 A 13P5 T4 DBN1C3	13.5	11	7.5	7.5	A	50°C	Yes	\$2,997
12104798	CFW701 B 17P0 T4 DBN1C3	17	13.5	10	7.5	B	50°C	Yes	\$3,536
12104799	CFW701 B 24P0 T4 DBN1C3	24	19	15	10	B	50°C	Yes	\$4,270
12104801	CFW701 B 31P0 T4 DBN1C3	31	25	20	15	B	50°C	Yes	\$5,371
12104803	CFW701 C 38P0 T4 DBN1C3	38	33	25	20	C	50°C	Yes	\$6,269
12104805	CFW701 C 45P0 T4 DBN1C3	45	38	30	25	C	50°C	Yes	\$7,884
12104807	CFW701 C 58P5 T4 DBN1C3	58.5	47	40	30	C	50°C	Yes	\$9,372
11802350	CFW701 D 70P5 T4 DBN1C3	70.5	61	50	40	D	50°C	Yes	\$10,142
11802351	CFW701 D 88P0 T4 DBN1C3	88	73	60	50	D	50°C	Yes	\$12,213
12104810	CFW701 E 0105 T4 NBN1C3	105	88	75	60	E	45°C	No	\$14,072
12104811	CFW701 E 0142 T4 NBN1C3	142	115	100	75	E	45°C	No	\$16,546
12104813	CFW701 E 0180 T4 NBN1C3	180	142	150	100	E	45°C	No	\$24,278
12104815	CFW701 E 0211 T4 NBN1C3	211	180	150	150	E	45°C	No	\$28,236

Overload Capacity:

ND = Normal Duty: 150% during 3 seconds; 110% during 60 seconds.

(1) Motor power ratings are based on: WEG - 4 poles - UL508-C - 230V/60Hz & 460V/60Hz

(2) Maximum surrounding air temperature without current derating

Variable Frequency Drives

CFW701 - RFI Filter - 500~600V

Material Number	Part Number	Rated Current		Motor ⁽¹⁾		Frame Size	Max. ⁽²⁾ Temp.	Brake Chopper	List Price
		ND	HD	ND	HD				
		A		HP					
575V - 3AC									
12263575	CFW701 B 02P9 T5 DB20C3	2.9	2.7	2	2	B	50°C	Yes	\$2,997
12263576	CFW701 B 04P2 T5 DB20C3	4.2	3.8	3	2	B	50°C	Yes	\$3,117
12263648	CFW701 B 07P0 T5 DB20C3	7	6.5	5	5	B	50°C	Yes	\$3,284
12263649	CFW701 B 10P0 T5 DB20C3	10	9	7.5	7.5	B	50°C	Yes	\$3,563
12203253	CFW701 B 12P0 T5 DB20C3	12	10	10	7.5	B	50°C	Yes	\$3,783
12203255	CFW701 B 17P0 T5 DB20C3	17	17	15	15	B	50°C	Yes	\$4,425
13312550	CFW701 C 22P0 T5 DB20C3	22	19	20	15	C	50°C	Yes	\$5,754
13312551	CFW701 C 27P0 T5 DB20C3	27	22	25	20	C	50°C	Yes	\$6,264
13312552	CFW701 C 32P0 T5 DB20C3	32	27	30	25	C	50°C	Yes	\$8,239
13312554	CFW701 C 44P0 T5 DB20C3	44	36	40	30	C	50°C	Yes	\$9,747
12263896	CFW701 E 53P0 T5 NB20C3	53	44	50	40	E	45°C	No	\$14,299
12263897	CFW701 E 63P0 T5 NB20C3	63	53	60	50	E	45°C	No	\$16,214
12263899	CFW701 E 80P0 T5 NB20C3	80	66	75	60	E	45°C	No	\$17,092
12263901	CFW701 E 0107 T5 NB20C3	107	90	100	75	E	45°C	No	\$20,722
12263902	CFW701 E 0125 T5 NB20C3	125	107	125	100	E	45°C	No	\$25,111
12263903	CFW701 E 0150 T5 NB20C3	150	122	150	100	E	45°C	No	\$32,436

Overload Capacity:

ND = Normal Duty: 150% during 3 seconds; 110% during 60 seconds.

HD = Heavy Duty: 200% during 3 seconds; 150% during 60 seconds.

(1) Motor power ratings are based on: WEG - 4 poles - UL508-C - 575V/60Hz

(2) Maximum surrounding air temperature without current derating

Variable Frequency Drives

CFW701 - NEMA 1 with RFI Filter - 500~600V

Material Number	Part Number	Rated Current		Motor ⁽¹⁾		Frame Size	Max. ⁽²⁾ Temp.	Brake Chopper	List Price
		ND	HD	ND	HD				
		A		HP					
575V - 3AC									
12263651	CFW701 B 02P9 T5 DBN1C3	2.9	2.7	2	2	B	50°C	Yes	\$3,165
12263653	CFW701 B 04P2 T5 DBN1C3	4.2	3.8	3	2	B	50°C	Yes	\$3,284
12263656	CFW701 B 07P0 T5 DBN1C3	7	6.5	5	5	B	50°C	Yes	\$3,452
12263689	CFW701 B 10P0 T5 DBN1C3	10	9	7.5	7.5	B	50°C	Yes	\$3,731
12263690	CFW701 B 12P0 T5 DBN1C3	12	10	10	7.5	B	50°C	Yes	\$3,951
12264729	CFW701 B 17P0 T5 DBN1C3	17	17	15	15	B	50°C	Yes	\$4,593
12263697	CFW701 D 22P0 T5 NBN1C3	22	19	20	15	D	50°C	No	\$5,754
12263708	CFW701 D 27P0 T5 NBN1C3	27	22	25	20	D	50°C	No	\$6,264
12263709	CFW701 D 32P0 T5 NBN1C3	32	27	30	25	D	50°C	No	\$8,239
12263710	CFW701 D 44P0 T5 NBN1C3	44	36	40	30	D	50°C	No	\$9,747
12263873	CFW701 E 53P0 T5 NBN1C3	53	44	50	40	E	45°C	No	\$14,403
12263875	CFW701 E 63P0 T5 NBN1C3	63	53	60	50	E	45°C	No	\$16,318
12263877	CFW701 E 80P0 T5 NBN1C3	80	66	75	60	E	45°C	No	\$17,196
12263889	CFW701 E 0107 T5 NBN1C3	107	90	100	75	E	45°C	No	\$20,826
12263890	CFW701 E 0125 T5 NBN1C3	125	107	125	100	E	45°C	No	\$25,215
12263895	CFW701 E 0150 T5 NBN1C3	150	122	150	100	E	45°C	No	\$32,540

Overload Capacity:

ND = Normal Duty: 150% during 3 seconds; 110% during 60 seconds.

HD = Heavy Duty: 200% during 3 seconds; 150% during 60 seconds.

(1) Motor power ratings are based on: WEG - 4 poles - UL508-C - 575V/60Hz

(2) Maximum surrounding air temperature without current derating

Variable Frequency Drives

CFW701 - IP55 & RFI Filter - 200~240V & 380~480V

Material Number	Part Number	Rated Current		Motor ⁽¹⁾		Frame Size	Max. ⁽²⁾ Temp.	Brake Chopper	List Price
		ND	HD	ND	HD				
		A		HP					
230V - 1AC									
13478357	CFW701 B 06P0 S2 DB55C3	6	6	1.5	1.5	B	40°C	Yes	\$2,750
13478399	CFW701 B 07P0 S2 DB55C3	7	7	2	2	B	40°C	Yes	\$2,834
13478402	CFW701 B 10P0 S2 DB55C3	10	10	3	3	B	40°C	Yes	\$3,018
230V - 3AC									
13478404	CFW701 B 07P0 T2 DB55C3	7	5.5	2	1	B	40°C	Yes	\$2,622
13478405	CFW701 B 10P0 T2 DB55C3	10	8	3	2	B	40°C	Yes	\$2,794
13478486	CFW701 B 13P0 T2 DB55C3	13	11	3	3	B	40°C	Yes	\$2,914
13478501	CFW701 B 16P0 T2 DB55C3	16	13	5	3	B	40°C	Yes	\$3,137
12579132	CFW701 B 24P0 T2 DB55C3	24	20	7.5	5	B	40°C	Yes	\$3,911
12579133	CFW701 B 28P0 T2 DB55C3	28	24	10	7.5	B	40°C	Yes	\$3,991
12579134	CFW701 B 33P5 T2 DB55C3	33.5	28	10	10	B	40°C	Yes	\$4,565
12579136	CFW701 C 45P0 T2 DB55C3	45	36	15	10	C	40°C	Yes	\$5,438
12579150	CFW701 C 54P0 T2 DB55C3	54	45	20	15	C	40°C	Yes	\$6,728
12579151	CFW701 C 70P0 T2 DB55C3	70	56	25	20	C	40°C	Yes	\$7,869
12954027	CFW701 D 86P0 T2 DB55C3	86	70	30	25	D	40°C	Yes	\$10,166
12954181	CFW701 D 0105 T2 DB55C3	105	86	40	30	D	40°C	Yes	\$12,408
12954182	CFW701 E 0142 T2 NB55C3	142	115	50	40	E	40°C	No	\$17,619
12954185	CFW701 E 0180 T2 NB55C3	180	142	60	50	E	40°C	No	\$24,541
12954186	CFW701 E 0211 T2 NB55C3	211	180	75	60	E	40°C	No	\$32,164
460V - 3AC									
13478403	CFW701 B 03P6 T4 DB55C3	3.6	3.6	2	2	B	40°C	Yes	\$2,646
13478506	CFW701 B 05P0 T4 DB55C3	5	5	3	3	B	40°C	Yes	\$2,822
13478518	CFW701 B 07P0 T4 DB55C3	7	5.5	3	3	B	40°C	Yes	\$2,917
13478519	CFW701 B 10P0 T4 DB55C3	10	10	5	5	B	40°C	Yes	\$3,018
13478520	CFW701 B 13P5 T4 DB55C3	13.5	11	7.5	7.5	B	40°C	Yes	\$3,169
12579152	CFW701 B 17P0 T4 DB55C3	17	13.5	10	7.5	B	40°C	Yes	\$3,771
12579153	CFW701 B 24P0 T4 DB55C3	24	19	15	10	B	40°C	Yes	\$4,593
12579154	CFW701 B 31P0 T4 DB55C3	31	25	20	15	B	40°C	Yes	\$5,826
12579155	CFW701 C 38P0 T4 DB55C3	38	33	25	20	C	40°C	Yes	\$6,808
12579156	CFW701 C 45P0 T4 DB55C3	45	38	30	25	C	40°C	Yes	\$8,615
12579157	CFW701 C 58P5 T4 DB55C3	58.5	47	40	30	C	40°C	Yes	\$10,282
12954187	CFW701 D 70P5 T4 DB55C3	70.5	61	50	40	D	40°C	Yes	\$11,359
12954278	CFW701 D 88P0 T4 DB55C3	88	73	60	50	D	40°C	Yes	\$13,677
12954279	CFW701 E 0105 T4 NB55C3	105	88	75	60	E	40°C	No	\$15,644
12954280	CFW701 E 0142 T4 NB55C3	142	115	100	75	E	40°C	No	\$18,416
12954281	CFW701 E 0180 T4 NB55C3	180	142	150	100	E	40°C	No	\$26,875
12954282	CFW701 E 0211 T4 NB55C3	211	180	150	150	E	40°C	No	\$31,307

Overload Capacity:

ND = Normal Duty: 150% during 3 seconds; 110% during 60 seconds.

(1) Motor power ratings are based on: WEG - 4 poles - UL508-C - 230V/60Hz & 460V/60Hz

(2) Maximum surrounding air temperature without current derating

Variable Frequency Drives

CFW701 - IP55 & RFI Filter & Disconnect Switch- 200~240V & 380~480V

Material Number	Part Number	Rated Current		Motor ⁽¹⁾		Frame Size	Max. ⁽²⁾ Temp.	Brake Chopper	List Price
		ND	HD	ND	HD				
		A		HP					
230V - 3AC									
13478522	CFW701 B 06P0 S2 DB55C3DS	6	6	1.5	1.5	B	40°C	Yes	\$2,886
13478814	CFW701 B 07P0 S2 DB55C3DS	7	7	2	2	B	40°C	Yes	\$2,978
13478816	CFW701 B 10P0 S2 DB55C3DS	10	10	3	3	B	40°C	Yes	\$3,169
230V - 3AC									
13478830	CFW701 B 07P0 T2 DB55C3DS	7	5.5	2	1	B	40°C	Yes	\$2,754
13478832	CFW701 B 10P0 T2 DB55C3DS	10	8	3	2	B	40°C	Yes	\$2,933
13478835	CFW701 B 13P0 T2 DB55C3DS	13	11	3	3	B	40°C	Yes	\$3,061
13478836	CFW701 B 16P0 T2 DB55C3DS	16	13	5	3	B	40°C	Yes	\$3,293
12619859	CFW701 B 24P0 T2 DB55C3DS	24	20	7.5	5	B	40°C	Yes	\$4,107
12619861	CFW701 B 28P0 T2 DB55C3DS	28	24	10	7.5	B	40°C	Yes	\$4,190
12619863	CFW701 B 33P5 T2 DB55C3DS	33.5	28	10	10	B	40°C	Yes	\$4,792
12619865	CFW701 C 45P0 T2 DB55C3DS	45	36	15	10	C	40°C	Yes	\$5,710
12619898	CFW701 C 54P0 T2 DB55C3DS	54	45	20	15	C	40°C	Yes	\$7,062
12619901	CFW701 C 70P0 T2 DB55C3DS	70	56	25	20	C	40°C	Yes	\$8,264
12954431	CFW701 D 86P0 T2 DB55C3DS	105	86	40	30	D	40°C	Yes	\$10,673
12954432	CFW701 D 0105 T2 DB55C3DS	86	70	30	25	D	40°C	Yes	\$13,031
12954319	CFW701 E 0142 T2 NB55C3DS	142	115	50	40	E	40°C	Yes	\$18,501
12954320	CFW701 E 0180 T2 NB55C3DS	180	142	60	50	E	40°C	Yes	\$25,769
12954322	CFW701 E 0211 T2 NB55C3DS	211	180	75	60	E	40°C	Yes	\$33,772
460V - 3AC									
13478829	CFW701 B 03P6 T4 DB55C3DS	3.6	3.6	2	2	B	40°C	Yes	\$2,777
13478898	CFW701 B 05P0 T4 DB55C3DS	5	5	3	3	B	40°C	Yes	\$2,961
13478899	CFW701 B 07P0 T4 DB55C3DS	7	5.5	3	3	B	40°C	Yes	\$3,065
13478900	CFW701 B 10P0 T4 DB55C3DS	10	10	5	5	B	40°C	Yes	\$3,169
13478920	CFW701 B 13P5 T4 DB55C3DS	13.5	11	7.5	7.5	B	40°C	Yes	\$3,328
12619858	CFW701 B 17P0 T4 DB55C3DS	17	13.5	10	7.5	B	40°C	Yes	\$3,958
12619860	CFW701 B 24P0 T4 DB55C3DS	24	19	15	10	B	40°C	Yes	\$4,824
12619862	CFW701 B 31P0 T4 DB55C3DS	31	25	20	15	B	40°C	Yes	\$6,117
12619864	CFW701 C 38P0 T4 DB55C3DS	38	33	25	20	C	40°C	Yes	\$7,147
12619867	CFW701 C 45P0 T4 DB55C3DS	45	38	30	25	C	40°C	Yes	\$9,046
12619900	CFW701 C 58P5 T4 DB55C3DS	58.5	47	40	30	C	40°C	Yes	\$10,797
12954433	CFW701 D 70P5 T4 DB55C3DS	70.5	61	50	40	D	40°C	Yes	\$11,925
12954434	CFW701 D 88P0 T4 DB55C3DS	88	73	60	50	D	40°C	Yes	\$14,360
12954287	CFW701 E 0105 T4 NB55C3DS	105	88	75	60	E	40°C	No	\$16,426
12954286	CFW701 E 0142 T4 NB55C3DS	142	115	100	75	E	40°C	No	\$19,339
12954284	CFW701 E 0180 T4 NB55C3DS	180	142	150	100	E	40°C	No	\$28,219
12954283	CFW701 E 0211 T4 NB55C3DS	211	180	150	150	E	40°C	No	\$32,871

Overload Capacity:

ND = Normal Duty: 150% during 3 seconds; 110% during 60 seconds.

(1) Motor power ratings are based on: WEG - 4 poles - UL508-C - 230V/60Hz & 460V/60Hz

(2) Maximum surrounding air temperature without current derating

Variable Frequency Drives

CFW701 - Accessories

Material Number	Part Number	Slot	Description	List Price
Flash Memory Module				
11355980	MMF-02	5	Flash Memory Module for CFW701	\$97
Relay Output Module				
11402038	CCK-01	-	Relay Output Module	\$168
Keypad Accessories				
11829628	HMI-03	-	CFW701 keypad	\$361
11829782	RHMIF-03	-	Frame for keypad remote assembly, IP56	\$81
11010298	HMID-01	-	Blank cover for keypad slot	\$74
Cables for HMI				
10950192	CAB-RS-1M	-	1m (3.3ft) Remote Keypad Cable	\$74
10951226	CAB-RS-2M	-	2m (6.6ft) Remote Keypad Cable	\$81
10951223	CAB-RS-3M	-	3m (10ft) Remote Keypad Cable	\$90
10951227	CAB-RS-5M	-	5m (16ft) Remote Keypad Cable	\$102
10951240	CAB-RS-7,5M	-	7.5m (25ft) Remote Keypad Cable	\$121
10951239	CAB-RS-10M	-	10m (33ft) Remote Keypad Cable	\$137
Enclosures				
11401877	KN1A-02	-	NEMA 1 - Conduit kit for frame size A + Power cables shielding	\$170
11401938	KN1B-02	-	NEMA 1 - Conduit kit for frame size B + Power cables shielding	\$170
11401857	KN1C-02	-	NEMA 1 - Conduit kit for frame size C + Power cables shielding	\$192
10960842	KN1E-01	-	NEMA 1 - Top cover kit for frame size E (105 and 142A)	\$104
10960850	KN1E-02	-	NEMA 1 - Top cover kit + Conduit kit for frame size E (180 and 211A)	\$284
11401939	KIP21A-01	-	IP21 - Kit for frame size A (top cover)	\$128
11401941	KIP21B-01	-	IP21 - Kit for frame size B (top cover)	\$137
11401940	KIP21C-01	-	IP21 - Kit for frame size C (top cover)	\$144
11010264	KIP21D-01	-	IP21 - Kit for frame size D (top cover)	\$161
Extractable Mounting				
11337710	KME-01	-	Kit for Extractable Mounting - Frame size E	\$1,477

CFW701 - Optional

External Control Power Supply				
-	W option 1	-	Additional price for 24 VDC power supply (Frame Sizes C and E) (Frame Size D on 200-240V and 380~480V)	\$1,011
-	W option 2	-	Additional price for 24 VDC power supply (Frame Size D on 500~600V)	\$1,242
-	W option 3	-	Additional price for 24 VDC power supply (Frame Sizes A and B)	\$959

The MW500 series offers the user a "decentralized mode" installation concept. Its degree of protection IP66 (NEMA 4x) allows installation flexibility since it can be done directly on the motor itself or on the walls of the electrical room or machine frame. This reflects in the optimization of the physical space required and mainly in the economic savings by eliminating the need for the electrical cabinet and cables.



- Certifications:



MW500 G2

Decentralized Variable Speed Drive

Technical data:

- Single-phase and three-phase power supply.
- Voltage range: 200-240Vac for single-phase models and 380-480Vac for three-phase models.
- Current / Power range: up to 19,2 Amps / 9,2 kW (10 HP)
- Control mode: V/f scalar control, VVW control (synchronous and asynchronous motors), vector control with sensor and sensorless.
- Switching frequency: 2.5 to 15kHz.
- Overload capacity: 150% for 60sec every 10min, 200% for 3sec every 10min.
- Degree of protection: IP66 or NEMA4X
- Operating temperature: 0 to 40 / 50°C if mounted on top of a self-ventilated WEG motor.
up to 60°C with current derating (2% for each 1°C above 50°C).
- Altitude: 0 to 1000m
up to 4000m with current derating (1% for every 100m above 1000m)
- Humidity: 5 to 90% non-condensing.
- Integrated brake chopper
- Integrated Disconnect Switch as optional
- Built-in PID controller.
- Fits on W21/W22 WEG electric motors
- Soft-PLC
- PTC Input

- I/O connections:

	IOS CUSB	IOD	IOAD	IOR	CCAN CPDP2	CRS232	CRS485	CEMB-TCP CETH-IP	CEPN-IO
Digital inputs	4	8	6	5	2	2	4	2	2
Digital outputs	1	4	3	1	1	1	1	1	1
Relay Outputs	1	1	1	4	1	1	2	1	1
Analog inputs	1	1	3	1	1	1	2	1	1
Analog outputs	1	1	2	1	1	1	1	1	1
RS 485	1	1	1	1	1	1	2	1	1
24 VDC	1	1	1	1	1	1	1	1	1

- Fieldbus:

RS232 WEGbus	RS485 WEGbus	Modbus RTU	Modbus TCP	Profibus DP	Profibus DPV1	Profinet	CANopen	DeviceNet	EtherNet/IP	BACnet
NA	NA	Any plug-in module	CFW500-CEMB-TCP	CFW500-CPDP2	CFW500-CPDP2	CFW500-CEPN-IO	CFW500-CCAN	CFW500-CCAN	CFW500-CETH-IP	NA

Optionals:

- RFI Filter
- Disconnect Switch

Accessories:

- Remote HMI
- Wall Mounting Kit

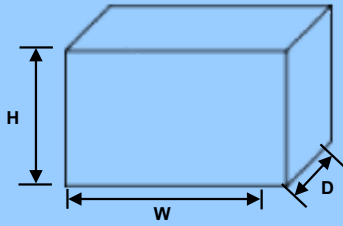
MW500 G2

Decentralized Variable Speed Drive

Product and Series	Model Identification				Braking	Degree of Protection	Terminal Box Adaptor	Conducted Emission Level	Special Hardware	Special Firmware	Disconnect Switch	Generation
	Frame Size	Rated Current	No. of phases power supply	Rated Voltage								
MW500	B	06P5	T	4	DB	66	A56	C2	-	-	DS	G2
MW500	A	02P1	T = three-phase									
	B	02P9	S = single-phase									
	C	03P4	2 = 200...240V									
		04P3	4 = 380...480V									
		06P0										
		01P3	DB = braking chopper									
		01P6	66 = IP66 / NEMA 4X									
		02P0	A56 = 56 mm motor terminal box adaptor									
		02P6	A70 = 56 mm motor terminal box adaptor									
		04P3	Blank = 70 or 110 mm motor terminal box adaptor									
		05P2	Blank = without RFI filter									
		06P5	C2 = According to category 2 of IEC 61800-3 standard									
		10P0	C3 = According to category 3 of IEC 61800-3 standard									
		14P0	H00 = Standard hardware (without plug-in module)									
		16P0	Sx = special firmware									
			Blank = without Disconnect Switch									
		DS = Disconnect Switch										
		Blank = Generation 1										
		G2 = Generation 2										

- Dimensions and weight (without packaging):

Frame size	Height mm (in)	Width mm (in)	Depth mm (in)	Weight kg (lbs)
A	240 (9.45)	161.5 (6.36)	125 (4.92)	3.7 (8.16)
B	269 (10.59)	189 (7.44)	141 (5.55)	5.3 (11.68)
C	304 (11.97)	219 (8.62)	171.6 (6.76)	8.9 (19.62)



* Depth considering standard version without Disconnect Switch

- Frame sizes x Terminal Boxes (IEC)

IEC Frames	80 / 90 / 100	112 / 132	160 / 180
Terminal Box	56 mm 2.2 in	70 mm 2.76 in	110 mm 4.33 in
A	x	x	-
B	x	x	-
C	-	x	x

- Frame sizes x Terminal Boxes (NEMA)

NEMA Frames	143T/154T	182/184T	213T/215T	254T/256T	284T/286T
Terminal Box	56 mm 2.2 in	70 mm 2.76 in		110 mm 4.33 in	
A	x	x	x	-	-
B	x	x	x	-	-
C	-	x	x	x	x

Variable Speed Drives

MW500 - Standard (without plug-in module) - 200~240V & 380~480V

Part Number	Product	Motor Assembly (1)		Wall Assembly (2)		Terminal Box Adaptor	Frame Size	Brake Chopper	List Price
		Rated Current	Motor (3)	Rated Current	Motor (3)				
		A	HP	A	HP				
230V - 1AC									
16178116	MW500 A 02P1 S2 DB66A56H00G2	2.8	0.5	2.1	0.33	56 mm	A	Yes	\$1,482
16179226	MW500 A 02P9 S2 DB66A56H00G2	3.8	0.75	2.9	0.5		A	Yes	\$1,511
16179977	MW500 A 03P4 S2 DB66A56H00G2	4.5	1	3.4	0.75		A	Yes	\$1,527
16180161	MW500 A 04P3 S2 DB66A56H00G2	5.7	1	4.3	1		A	Yes	\$1,547
16181822	MW500 A 06P0 S2 DB66A56H00G2	6	1.5	6	1.5		A	Yes	\$1,623
460V - 3AC									
16183051	MW500 A 01P3 T4 DB66A56H00G2	1.7	0.75	1.3	0.5	56 mm	A	Yes	\$1,566
16184290	MW500 A 01P6 T4 DB66A56H00G2	2.1	1	1.6	0.75		A	Yes	\$1,579
16184585	MW500 A 02P0 T4 DB66A56H00G2	2.6	1	2	0.75		A	Yes	\$1,595
16186025	MW500 A 02P6 T4 DB66A56H00G2	3.4	2	2.6	1		A	Yes	\$1,623
16186880	MW500 A 04P3 T4 DB66A56H00G2	5.7	3	4.3	2		A	Yes	\$1,897
16187279	MW500 B 05P2 T4 DB66A56H00G2	6.9	3	5.2	3		B	Yes	\$2,090
16187564	MW500 B 06P5 T4 DB66A56H00G2	8.6	5	6.5	3		B	Yes	\$2,195
16188332	MW500 B 10P0 T4 DB66A56H00G2	13.3	7.5	10	5		B	Yes	\$2,364

MW500 - Standard with Disconnect Switch (without plug-in module) - 200~240V & 380~480V

230V - 1AC									
16179198	MW500 A 02P1 S2 DB66DSA56H00G2	2.8	0.5	2.1	0.33	56 mm	A	Yes	\$1,659
16179973	MW500 A 02P9 S2 DB66DSA56H00G2	3.8	0.75	2.9	0.5		A	Yes	\$1,687
16180138	MW500 A 03P4 S2 DB66DSA56H00G2	4.5	1	3.4	0.75		A	Yes	\$1,708
16181818	MW500 A 04P3 S2 DB66DSA56H00G2	5.7	1	4.3	1		A	Yes	\$1,732
16182998	MW500 A 06P0 S2 DB66DSA56H00G2	6	1.5	6	1.5		A	Yes	\$1,816
460V - 3AC									
16183242	MW500 A 01P3 T4 DB66DSA56H00G2	1.7	0.75	1.3	0.5	56 mm	A	Yes	\$1,752
16184545	MW500 A 01P6 T4 DB66DSA56H00G2	2.1	1	1.6	0.75		A	Yes	\$1,764
16185940	MW500 A 02P0 T4 DB66DSA56H00G2	2.6	1	2	0.75		A	Yes	\$1,784
16186824	MW500 A 02P6 T4 DB66DSA56H00G2	3.4	2	2.6	1		A	Yes	\$1,816
16187189	MW500 A 04P3 T4 DB66DSA56H00G2	5.7	3	4.3	2		A	Yes	\$2,127
16187430	MW500 B 05P2 T4 DB66DSA56H00G2	6.9	3	5.2	3		B	Yes	\$2,336
16188328	MW500 B 06P5 T4 DB66DSA56H00G2	8.6	5	6.5	3		B	Yes	\$2,456
16188942	MW500 B 10P0 T4 DB66DSA56H00G2	13.3	7.5	10	5		B	Yes	\$2,646

(1) Ratings considering the MW500 assembled on the self-ventilated motor frame with maximum 40°C surrounding temperature.

(2) Wall ratings considering wall assembly at 40°C or self-ventilated motor assembly with 50°C.

(3) Motor power ratings are based on: WEG - 4 poles - UL508-C - 230V/60Hz & 460V/60Hz

Variable Speed Drives

MW500 - RFI Filter (without plug-in module) - 200~240V & 380~480V

Part Number	Product	Motor Assembly (1)		Wall Assembly (2)		Terminal Box Adaptor	Frame Size	Brake Chopper	List Price
		Rated Current	Motor (3)	Rated Current	Motor (3)				
		A	HP	A	HP				
230V - 1AC									
16179122	MW500 A 02P1 S2 DB66C2A56H00G2	2.8	0.5	2.1	0.33	56 mm	A	Yes	\$1,603
16179736	MW500 A 02P9 S2 DB66C2A56H00G2	3.8	0.75	2.9	0.5		A	Yes	\$1,632
16180063	MW500 A 03P4 S2 DB66C2A56H00G2	4.5	1	3.4	0.75		A	Yes	\$1,647
16180165	MW500 A 04P3 S2 DB66C2A56H00G2	5.7	1	4.3	1		A	Yes	\$1,671
16181826	MW500 A 06P0 S2 DB66C2A56H00G2	6	1.5	6	1.5		A	Yes	\$1,752
460V - 3AC									
16183130	MW500 A 01P3 T4 DB66C2A56H00G2	1.7	0.75	1.3	0.5	56 mm	A	Yes	\$1,692
16184306	MW500 A 01P6 T4 DB66C2A56H00G2	2.1	1	1.6	0.75		A	Yes	\$1,704
16184709	MW500 A 02P0 T4 DB66C2A56H00G2	2.6	1	2	0.75		A	Yes	\$1,723
16186059	MW500 A 02P6 T4 DB66C2A56H00G2	3.4	2	2.6	1		A	Yes	\$1,752
16186887	MW500 A 04P3 T4 DB66C2A56H00G2	5.7	3	4.3	2		A	Yes	\$2,051
16187338	MW500 B 05P2 T4 DB66C2A56H00G2	6.9	3	5.2	3		B	Yes	\$2,256
16187726	MW500 B 06P5 T4 DB66C2A56H00G2	8.6	5	6.5	3		B	Yes	\$2,368
16188336	MW500 B 10P0 T4 DB66C2A56H00G2	13.3	7.5	10	5		B	Yes	\$2,553

MW500 - RFI Filter with Disconnect Switch (without plug-in module) - 200~240V & 380~480V

230V - 1AC									
16179150	MW500 A 02P1 S2 DB66C2DSA56H00G2	2.8	0.5	2.1	0.33	56 mm	A	Yes	\$1,789
16179969	MW500 A 02P9 S2 DB66C2DSA56H00G2	3.8	0.75	2.9	0.5		A	Yes	\$1,825
16180132	MW500 A 03P4 S2 DB66C2DSA56H00G2	4.5	1	3.4	0.75		A	Yes	\$1,840
16180284	MW500 A 04P3 S2 DB66C2DSA56H00G2	5.7	1	4.3	1		A	Yes	\$1,869
16181882	MW500 A 06P0 S2 DB66C2DSA56H00G2	6	1.5	6	1.5		A	Yes	\$1,961
460V - 3AC									
16183162	MW500 A 01P3 T4 DB66C2DSA56H00G2	1.7	0.75	1.3	0.5	56 mm	A	Yes	\$1,894
16184422	MW500 A 01P6 T4 DB66C2DSA56H00G2	2.1	1	1.6	0.75		A	Yes	\$1,909
16185511	MW500 A 02P0 T4 DB66C2DSA56H00G2	2.6	1	2	0.75		A	Yes	\$1,933
16186727	MW500 A 02P6 T4 DB66C2DSA56H00G2	3.4	2	2.6	1		A	Yes	\$1,961
16187000	MW500 A 04P3 T4 DB66C2DSA56H00G2	5.7	3	4.3	2		A	Yes	\$2,296
16187346	MW500 B 05P2 T4 DB66C2DSA56H00G2	6.9	3	5.2	3		B	Yes	\$2,529
16187783	MW500 B 06P5 T4 DB66C2DSA56H00G2	8.6	5	6.5	3		B	Yes	\$2,654
16188852	MW500 B 10P0 T4 DB66C2DSA56H00G2	13.3	7.5	10	5		B	Yes	\$2,860

(1) Ratings considering the MW500 assembled on the self-ventilated motor frame with maximum 40°C surrounding temperature.

(2) Wall ratings considering wall assembly at 40°C or self-ventilated motor assembly with 50°C.

(3) Motor power ratings are based on: WEG - 4 poles - UL508-C - 230V/60Hz & 460V/60Hz

Variable Speed Drives

MW500 - Standard (with IOS plug-in module built-in) - 200~240V & 380~480V

Part Number	Product	Motor Assembly (1)		Wall Assembly (2)		Terminal Box Adaptor	Frame Size	Brake Chopper	List Price
		Rated Current	Motor (3)	Rated Current	Motor (3)				
		A	HP	A	HP				
230V - 1AC									
16178114	MW500 A 02P1 S2 DB66A56G2	2.8	0.5	2.1	0.33	56 mm	A	Yes	\$1,656
16179223	MW500 A 02P9 S2 DB66A56G2	3.8	0.75	2.9	0.5		A	Yes	\$1,684
16179976	MW500 A 03P4 S2 DB66A56G2	4.5	1	3.4	0.75		A	Yes	\$1,699
16180158	MW500 A 04P3 S2 DB66A56G2	5.7	1	4.3	1		A	Yes	\$1,720
16181821	MW500 A 06P0 S2 DB66A56G2	6	1.5	6	1.5		A	Yes	\$1,796
460V - 3AC									
16183048	MW500 A 01P3 T4 DB66A56G2	1.7	0.75	1.3	0.5	56 mm	A	Yes	\$1,740
16184289	MW500 A 01P6 T4 DB66A56G2	2.1	1	1.6	0.75		A	Yes	\$1,752
16184583	MW500 A 02P0 T4 DB66A56G2	2.6	1	2	0.75		A	Yes	\$1,768
16186024	MW500 A 02P6 T4 DB66A56G2	3.4	2	2.6	1		A	Yes	\$1,796
16186879	MW500 A 04P3 T4 DB66A56G2	5.7	3	4.3	2		A	Yes	\$2,070
16187195	MW500 B 05P2 T4 DB66A56G2	6.9	3	5.2	3		B	Yes	\$2,263
16187434	MW500 B 06P5 T4 DB66A56G2	8.6	5	6.5	3		B	Yes	\$2,368
16188331	MW500 B 10P0 T4 DB66A56G2	13.3	7.5	10	5		B	Yes	\$2,537

MW500 - Standard with Disconnect Switch (with IOS plug-in module built-in) - 200~240V & 380~480V

230V - 1AC									
16179156	MW500 A 02P1 S2 DB66DSA56G2	2.8	0.5	2.1	0.33	56 mm	A	Yes	\$1,833
16179972	MW500 A 02P9 S2 DB66DSA56G2	3.8	0.75	2.9	0.5		A	Yes	\$1,861
16180137	MW500 A 03P4 S2 DB66DSA56G2	4.5	1	3.4	0.75		A	Yes	\$1,882
16180353	MW500 A 04P3 S2 DB66DSA56G2	5.7	1	4.3	1		A	Yes	\$1,906
16182301	MW500 A 06P0 S2 DB66DSA56G2	6	1.5	6	1.5		A	Yes	\$1,990
460V - 3AC									
16183241	MW500 A 01P3 T4 DB66DSA56G2	1.7	0.75	1.3	0.5	56 mm	A	Yes	\$1,925
16184460	MW500 A 01P6 T4 DB66DSA56G2	2.1	1	1.6	0.75		A	Yes	\$1,937
16185938	MW500 A 02P0 T4 DB66DSA56G2	2.6	1	2	0.75		A	Yes	\$1,958
16186820	MW500 A 02P6 T4 DB66DSA56G2	3.4	2	2.6	1		A	Yes	\$1,990
16186917	MW500 A 04P3 T4 DB66DSA56G2	5.7	3	4.3	2		A	Yes	\$2,299
16187429	MW500 B 05P2 T4 DB66DSA56G2	6.9	3	5.2	3		B	Yes	\$2,509
16188177	MW500 B 06P5 T4 DB66DSA56G2	8.6	5	6.5	3		B	Yes	\$2,630
16188939	MW500 B 10P0 T4 DB66DSA56G2	13.3	7.5	10	5		B	Yes	\$2,818

(1) Ratings considering the MW500 assembled on the self-ventilated motor frame with maximum 40°C surrounding temperature.

(2) Wall ratings considering wall assembly at 40°C or self-ventilated motor assembly with 50°C.

(3) Motor power ratings are based on: WEG - 4 poles - UL508-C - 230V/60Hz & 460V/60Hz

Variable Speed Drives

MW500 - RFI Filter (with IOS plug-in module built-in) - 200~240V & 380~480V

Part Number	Product	Motor Assembly (1)		Wall Assembly (2)		Terminal Box Adaptor	Frame Size	Brake Chopper	List Price
		Rated Current	Motor (3)	Rated Current	Motor (3)				
		A	HP	A	HP				
230V - 1AC									
16179121	MW500 A 02P1 S2 DB66C2A56G2	2.8	0.5	2.1	0.33	56 mm	A	Yes	\$1,777
16179734	MW500 A 02P9 S2 DB66C2A56G2	3.8	0.75	2.9	0.5		A	Yes	\$1,804
16180061	MW500 A 03P4 S2 DB66C2A56G2	4.5	1	3.4	0.75		A	Yes	\$1,820
16180164	MW500 A 04P3 S2 DB66C2A56G2	5.7	1	4.3	1		A	Yes	\$1,845
16181825	MW500 A 06P0 S2 DB66C2A56G2	6	1.5	6	1.5		A	Yes	\$1,925
460V - 3AC									
16183056	MW500 A 01P3 T4 DB66C2A56G2	1.7	0.75	1.3	0.5	56 mm	A	Yes	\$1,865
16184300	MW500 A 01P6 T4 DB66C2A56G2	2.1	1	1.6	0.75		A	Yes	\$1,877
16184644	MW500 A 02P0 T4 DB66C2A56G2	2.6	1	2	0.75		A	Yes	\$1,897
16186058	MW500 A 02P6 T4 DB66C2A56G2	3.4	2	2.6	1		A	Yes	\$1,925
16186885	MW500 A 04P3 T4 DB66C2A56G2	5.7	3	4.3	2		A	Yes	\$2,223
16187287	MW500 B 05P2 T4 DB66C2A56G2	6.9	3	5.2	3		B	Yes	\$2,428
16187724	MW500 B 06P5 T4 DB66C2A56G2	8.6	5	6.5	3		B	Yes	\$2,541
16188335	MW500 B 10P0 T4 DB66C2A56G2	13.3	7.5	10	5		B	Yes	\$2,727

MW500 - RFI Filter with Disconnect Switch (with IOS plug-in module built-in) - 200~240V & 380~480V

230V - 1AC									
16179148	MW500 A 02P1 S2 DB66C2DSA56G2	2.8	0.5	2.1	0.33	56 mm	A	Yes	\$1,961
16179897	MW500 A 02P9 S2 DB66C2DSA56G2	3.8	0.75	2.9	0.5		A	Yes	\$1,997
16180129	MW500 A 03P4 S2 DB66C2DSA56G2	4.5	1	3.4	0.75		A	Yes	\$2,014
16180281	MW500 A 04P3 S2 DB66C2DSA56G2	5.7	1	4.3	1		A	Yes	\$2,042
16181881	MW500 A 06P0 S2 DB66C2DSA56G2	6	1.5	6	1.5		A	Yes	\$2,135
460V - 3AC									
16183160	MW500 A 01P3 T4 DB66C2DSA56G2	1.7	0.75	1.3	0.5	56 mm	A	Yes	\$2,066
16184358	MW500 A 01P6 T4 DB66C2DSA56G2	2.1	1	1.6	0.75		A	Yes	\$2,082
16184717	MW500 A 02P0 T4 DB66C2DSA56G2	2.6	1	2	0.75		A	Yes	\$2,106
16186725	MW500 A 02P6 T4 DB66C2DSA56G2	3.4	2	2.6	1		A	Yes	\$2,135
16186998	MW500 A 04P3 T4 DB66C2DSA56G2	5.7	3	4.3	2		A	Yes	\$2,468
16187344	MW500 B 05P2 T4 DB66C2DSA56G2	6.9	3	5.2	3		B	Yes	\$2,703
16187782	MW500 B 06P5 T4 DB66C2DSA56G2	8.6	5	6.5	3		B	Yes	\$2,827
16188850	MW500 B 10P0 T4 DB66C2DSA56G2	13.3	7.5	10	5		B	Yes	\$3,032

(1) Ratings considering the MW500 assembled on the self-ventilated motor frame with maximum 40°C surrounding temperature.

(2) Wall ratings considering wall assembly at 40°C or self-ventilated motor assembly with 50°C.

(3) Motor power ratings are based on: WEG - 4 poles - UL508-C - 230V/60Hz & 460V/60Hz

Variable Speed Drives

MW500 - Standard (without plug-in module) - 200~240V & 380~480V

Part Number	Product	Motor Assembly (1)		Wall Assembly (2)		Terminal Box Adaptor	Frame Size	Brake Chopper	List Price
		Rated Current	Motor (3)	Rated Current	Motor (3)				
		A	HP	A	HP				
230V - 1AC									
16179119	MW500 A 02P1 S2 DB66A70H00G2	2.8	0.5	2.1	0.33	70 mm	A	Yes	\$1,482
16179731	MW500 A 02P9 S2 DB66A70H00G2	3.8	0.75	2.9	0.5		A	Yes	\$1,511
16180059	MW500 A 03P4 S2 DB66A70H00G2	4.5	1	3.4	0.75		A	Yes	\$1,527
16180163	MW500 A 04P3 S2 DB66A70H00G2	5.7	1	4.3	1		A	Yes	\$1,547
16181824	MW500 A 06P0 S2 DB66A70H00G2	6	1.5	6	1.5		A	Yes	\$1,623
460V - 3AC									
16183055	MW500 A 01P3 T4 DB66A70H00G2	1.7	0.75	1.3	0.5	70 mm	A	Yes	\$1,566
16184296	MW500 A 01P6 T4 DB66A70H00G2	2.1	1	1.6	0.75		A	Yes	\$1,579
16184640	MW500 A 02P0 T4 DB66A70H00G2	2.6	1	2	0.75		A	Yes	\$1,595
16186027	MW500 A 02P6 T4 DB66A70H00G2	3.4	2	2.6	1		A	Yes	\$1,623
16186883	MW500 A 04P3 T4 DB66A70H00G2	5.7	3	4.3	2		A	Yes	\$1,897
16187286	MW500 B 05P2 T4 DB66A70H00G2	6.9	3	5.2	3		B	Yes	\$2,090
16187723	MW500 B 06P5 T4 DB66A70H00G2	8.6	5	6.5	3	B	Yes	\$2,195	
16188334	MW500 B 10P0 T4 DB66A70H00G2	13.3	7.5	10	5	B	Yes	\$2,364	
16189463	MW500 C 14P0 T4 DB66H00G2	16.5	10	14	10	70 / 110 mm	C	Yes	\$2,770
16189706	MW500 C 16P0 T4 DB66H00G2	19.2	10	16	10	mm	C	Yes	\$3,144

MW500 - Standard with Disconnect Switch (without plug-in module) - 200~240V & 380~480V

230V - 1AC									
16179207	MW500 A 02P1 S2 DB66DSA70H00G2	2.8	0.5	2.1	0.33	70 mm	A	Yes	\$1,659
16179975	MW500 A 02P9 S2 DB66DSA70H00G2	3.8	0.75	2.9	0.5		A	Yes	\$1,687
16180143	MW500 A 03P4 S2 DB66DSA70H00G2	4.5	1	3.4	0.75		A	Yes	\$1,708
16181820	MW500 A 04P3 S2 DB66DSA70H00G2	5.7	1	4.3	1		A	Yes	\$1,732
16183001	MW500 A 06P0 S2 DB66DSA70H00G2	6	1.5	6	1.5		A	Yes	\$1,816
460V - 3AC									
16183300	MW500 A 01P3 T4 DB66DSA70H00G2	1.7	0.75	1.3	0.5	70 mm	A	Yes	\$1,752
16184582	MW500 A 01P6 T4 DB66DSA70H00G2	2.1	1	1.6	0.75		A	Yes	\$1,764
16186022	MW500 A 02P0 T4 DB66DSA70H00G2	2.6	1	2	0.75		A	Yes	\$1,784
16186878	MW500 A 02P6 T4 DB66DSA70H00G2	3.4	2	2.6	1		A	Yes	\$1,816
16187193	MW500 A 04P3 T4 DB66DSA70H00G2	5.7	3	4.3	2		A	Yes	\$2,127
16187433	MW500 B 05P2 T4 DB66DSA70H00G2	6.9	3	5.2	3		B	Yes	\$2,336
16188330	MW500 B 06P5 T4 DB66DSA70H00G2	8.6	5	6.5	3	B	Yes	\$2,456	
16189093	MW500 B 10P0 T4 DB66DSA70H00G2	13.3	7.5	10	5	B	Yes	\$2,646	
16189462	MW500 C 14P0 T4 DB66DSH00G2	16.5	10	14	10	70 / 110 mm	C	Yes	\$3,105
16189705	MW500 C 16P0 T4 DB66DSH00G2	19.2	10	16	10	mm	C	Yes	\$3,524

(1) Ratings considering the MW500 assembled on the self-ventilated motor frame with maximum 40°C surrounding temperature.

(2) Wall ratings considering wall assembly at 40°C or self-ventilated motor assembly with 50°C.

(3) Motor power ratings are based on: WEG - 4 poles - UL508-C - 230V/60Hz & 460V/60Hz

Variable Speed Drives

MW500 - RFI Filter (without plug-in module) - 200~240V & 380~480V

Part Number	Product	Motor Assembly (1)		Wall Assembly (2)		Terminal Box Adaptor	Frame Size	Brake Chopper	List Price
		Rated Current	Motor (3)	Rated Current	Motor (3)				
		A	HP	A	HP				
230V - 1AC									
16179125	MW500 A 02P1 S2 DB66C2A70H00G2	2.8	0.5	2.1	0.33	70 mm	A	Yes	\$1,603
16179896	MW500 A 02P9 S2 DB66C2A70H00G2	3.8	0.75	2.9	0.5		A	Yes	\$1,632
16180128	MW500 A 03P4 S2 DB66C2A70H00G2	4.5	1	3.4	0.75		A	Yes	\$1,647
16180280	MW500 A 04P3 S2 DB66C2A70H00G2	5.7	1	4.3	1		A	Yes	\$1,671
16181880	MW500 A 06P0 S2 DB66C2A70H00G2	6	1.5	6	1.5		A	Yes	\$1,752
460V - 3AC									
16183158	MW500 A 01P3 T4 DB66C2A70H00G2	1.7	0.75	1.3	0.5	70 mm	A	Yes	\$1,692
16184323	MW500 A 01P6 T4 DB66C2A70H00G2	2.1	1	1.6	0.75		A	Yes	\$1,704
16184716	MW500 A 02P0 T4 DB66C2A70H00G2	2.6	1	2	0.75		A	Yes	\$1,723
16186723	MW500 A 02P6 T4 DB66C2A70H00G2	3.4	2	2.6	1		A	Yes	\$1,752
16186955	MW500 A 04P3 T4 DB66C2A70H00G2	5.7	3	4.3	2		A	Yes	\$2,051
16187342	MW500 B 05P2 T4 DB66C2A70H00G2	6.9	3	5.2	3	70 / 110 mm	B	Yes	\$2,256
16187780	MW500 B 06P5 T4 DB66C2A70H00G2	8.6	5	6.5	3		B	Yes	\$2,368
16188848	MW500 B 10P0 T4 DB66C2A70H00G2	13.3	7.5	10	5		B	Yes	\$2,553
16189459	MW500 C 14P0 T4 DB66C2H00G2	16.5	10	14	10		C	Yes	\$2,992
16189703	MW500 C 16P0 T4 DB66C2H00G2	19.2	10	16	10		C	Yes	\$3,394

MW500 - RFI Filter with Disconnect Switch (without plug-in module) - 200~240V & 380~480V

230V - 1AC									
16179154	MW500 A 02P1 S2 DB66C2DSA70H00G2	2.8	0.5	2.1	0.33	70 mm	A	Yes	\$1,789
16179971	MW500 A 02P9 S2 DB66C2DSA70H00G2	3.8	0.75	2.9	0.5		A	Yes	\$1,825
16180135	MW500 A 03P4 S2 DB66C2DSA70H00G2	4.5	1	3.4	0.75		A	Yes	\$1,840
16180287	MW500 A 04P3 S2 DB66C2DSA70H00G2	5.7	1	4.3	1		A	Yes	\$1,869
16182097	MW500 A 06P0 S2 DB66C2DSA70H00G2	6	1.5	6	1.5		A	Yes	\$1,961
460V - 3AC									
16183240	MW500 A 01P3 T4 DB66C2DSA70H00G2	1.7	0.75	1.3	0.5	70 mm	A	Yes	\$1,894
16184459	MW500 A 01P6 T4 DB66C2DSA70H00G2	2.1	1	1.6	0.75		A	Yes	\$1,909
16185882	MW500 A 02P0 T4 DB66C2DSA70H00G2	2.6	1	2	0.75		A	Yes	\$1,933
16186819	MW500 A 02P6 T4 DB66C2DSA70H00G2	3.4	2	2.6	1		A	Yes	\$1,961
16186915	MW500 A 04P3 T4 DB66C2DSA70H00G2	5.7	3	4.3	2		A	Yes	\$2,296
16187428	MW500 B 05P2 T4 DB66C2DSA70H00G2	6.9	3	5.2	3	70 / 110 mm	B	Yes	\$2,529
16188175	MW500 B 06P5 T4 DB66C2DSA70H00G2	8.6	5	6.5	3		B	Yes	\$2,654
16188938	MW500 B 10P0 T4 DB66C2DSA70H00G2	13.3	7.5	10	5		B	Yes	\$2,860
16189458	MW500 C 14P0 T4 DB66C2DSH00G2	16.5	10	14	10		C	Yes	\$3,355
16189702	MW500 C 16P0 T4 DB66C2DSH00G2	19.2	10	16	10		C	Yes	\$3,805

(1) Ratings considering the MW500 assembled on the self-ventilated motor frame with maximum 40°C surrounding temperature.

(2) Wall ratings considering wall assembly at 40°C or self-ventilated motor assembly with 50°C.

(3) Motor power ratings are based on: WEG - 4 poles - UL508-C - 230V/60Hz & 460V/60Hz

Variable Speed Drives

MW500 - Standard (with IOS plug-in module built-in) - 200~240V & 380~480V

Part Number	Product	Motor Assembly (1)		Wall Assembly (2)		Terminal Box Adaptor	Frame Size	Brake Chopper	List Price
		Rated Current	Motor (3)	Rated Current	Motor (3)				
		A	HP	A	HP				
230V - 1AC									
16179076	MW500 A 02P1 S2 DB66A70G2	2.8	0.5	2.1	0.33	70 mm	A	Yes	\$1,656
16179729	MW500 A 02P9 S2 DB66A70G2	3.8	0.75	2.9	0.5		A	Yes	\$1,684
16180058	MW500 A 03P4 S2 DB66A70G2	4.5	1	3.4	0.75		A	Yes	\$1,699
16180162	MW500 A 04P3 S2 DB66A70G2	5.7	1	4.3	1		A	Yes	\$1,720
16181823	MW500 A 06P0 S2 DB66A70G2	6	1.5	6	1.5		A	Yes	\$1,796
380V - 3AC									
16183053	MW500 A 01P3 T4 DB66A70G2	1.7	0.75	1.3	0.5	70 mm	A	Yes	\$1,740
16184292	MW500 A 01P6 T4 DB66A70G2	2.1	1	1.6	0.75		A	Yes	\$1,752
16184639	MW500 A 02P0 T4 DB66A70G2	2.6	1	2	0.75		A	Yes	\$1,768
16186026	MW500 A 02P6 T4 DB66A70G2	3.4	2	2.6	1		A	Yes	\$1,796
16186881	MW500 A 04P3 T4 DB66A70G2	5.7	3	4.3	2		A	Yes	\$2,070
16187282	MW500 B 05P2 T4 DB66A70G2	6.9	3	5.2	3		B	Yes	\$2,263
16187721	MW500 B 06P5 T4 DB66A70G2	8.6	5	6.5	3		B	Yes	\$2,368
16188333	MW500 B 10P0 T4 DB66A70G2	13.3	7.5	10	5	B	Yes	\$2,537	
16189420	MW500 C 14P0 T4 DB66G2	16.5	10	14	10	70 / 110 mm	C	Yes	\$2,944
16189698	MW500 C 16P0 T4 DB66G2	19.2	10	16	10	mm	C	Yes	\$3,318

MW500 - Standard with Disconnect Switch (with IOS plug-in module built-in) - 200~240V & 380~480V

230V - 1AC									
16179203	MW500 A 02P1 S2 DB66DSA70G2	2.8	0.5	2.1	0.33	70 mm	A	Yes	\$1,833
16179974	MW500 A 02P9 S2 DB66DSA70G2	3.8	0.75	2.9	0.5		A	Yes	\$1,861
16180140	MW500 A 03P4 S2 DB66DSA70G2	4.5	1	3.4	0.75		A	Yes	\$1,882
16181819	MW500 A 04P3 S2 DB66DSA70G2	5.7	1	4.3	1		A	Yes	\$1,906
16182999	MW500 A 06P0 S2 DB66DSA70G2	6	1.5	6	1.5		A	Yes	\$1,990
380V - 3AC									
16183245	MW500 A 01P3 T4 DB66DSA70G2	1.7	0.75	1.3	0.5	70 mm	A	Yes	\$1,925
16184547	MW500 A 01P6 T4 DB66DSA70G2	2.1	1	1.6	0.75		A	Yes	\$1,937
16185943	MW500 A 02P0 T4 DB66DSA70G2	2.6	1	2	0.75		A	Yes	\$1,958
16186826	MW500 A 02P6 T4 DB66DSA70G2	3.4	2	2.6	1		A	Yes	\$1,990
16187191	MW500 A 04P3 T4 DB66DSA70G2	5.7	3	4.3	2		A	Yes	\$2,299
16187432	MW500 B 05P2 T4 DB66DSA70G2	6.9	3	5.2	3		B	Yes	\$2,509
16188329	MW500 B 06P5 T4 DB66DSA70G2	8.6	5	6.5	3		B	Yes	\$2,630
16189091	MW500 B 10P0 T4 DB66DSA70G2	13.3	7.5	10	5	B	Yes	\$2,818	
16189461	MW500 C 14P0 T4 DB66DSG2	16.5	10	14	10	70 / 110 mm	C	Yes	\$3,277
16189704	MW500 C 16P0 T4 DB66DSG2	19.2	10	16	10	mm	C	Yes	\$3,696

(1) Ratings considering the MW500 assembled on the self-ventilated motor frame with maximum 40°C surrounding temperature.

(2) Wall ratings considering wall assembly at 40°C or self-ventilated motor assembly with 50°C.

(3) Motor power ratings are based on: WEG - 4 poles - UL508-C - 230V/60Hz & 460V/60Hz

Variable Speed Drives

MW500 - RFI Filter (with IOS plug-in module built-in) - 200~240V & 380~480V

Part Number	Product	Motor Assembly (1)		Wall Assembly (2)		Terminal Box Adaptor	Frame Size	Brake Chopper	List Price
		Rated Current	Motor (3)	Rated Current	Motor (3)				
		A	HP	A	HP				
230V - 1AC									
16179123	MW500 A 02P1 S2 DB66C2A70G2	2.8	0.5	2.1	0.33	70 mm	A	Yes	\$1,777
16179890	MW500 A 02P9 S2 DB66C2A70G2	3.8	0.75	2.9	0.5		A	Yes	\$1,804
16180065	MW500 A 03P4 S2 DB66C2A70G2	4.5	1	3.4	0.75		A	Yes	\$1,820
16180166	MW500 A 04P3 S2 DB66C2A70G2	5.7	1	4.3	1		A	Yes	\$1,845
16181878	MW500 A 06P0 S2 DB66C2A70G2	6	1.5	6	1.5		A	Yes	\$1,925
460V - 3AC									
16183135	MW500 A 01P3 T4 DB66C2A70G2	1.7	0.75	1.3	0.5	70 mm	A	Yes	\$1,865
16184320	MW500 A 01P6 T4 DB66C2A70G2	2.1	1	1.6	0.75		A	Yes	\$1,877
16184714	MW500 A 02P0 T4 DB66C2A70G2	2.6	1	2	0.75		A	Yes	\$1,897
16186061	MW500 A 02P6 T4 DB66C2A70G2	3.4	2	2.6	1		A	Yes	\$1,925
16186954	MW500 A 04P3 T4 DB66C2A70G2	5.7	3	4.3	2		A	Yes	\$2,223
16187340	MW500 B 05P2 T4 DB66C2A70G2	6.9	3	5.2	3		B	Yes	\$2,428
16187779	MW500 B 06P5 T4 DB66C2A70G2	8.6	5	6.5	3		B	Yes	\$2,541
16188827	MW500 B 10P0 T4 DB66C2A70G2	13.3	7.5	10	5		B	Yes	\$2,727
16189426	MW500 C 14P0 T4 DB66C2G2	16.5	10	14	10	70 / 110 mm	C	Yes	\$3,165
16189700	MW500 C 16P0 T4 DB66C2G2	19.2	10	16	10	mm	C	Yes	\$3,567

MW500 - RFI Filter with Disconnect Switch (with IOS plug-in module built-in) - 200~240V & 380~480V

230V - 1AC									
16179153	MW500 A 02P1 S2 DB66C2DSA70G2	2.8	0.5	2.1	0.33	70 mm	A	Yes	\$1,961
16179970	MW500 A 02P9 S2 DB66C2DSA70G2	3.8	0.75	2.9	0.5		A	Yes	\$1,997
16180133	MW500 A 03P4 S2 DB66C2DSA70G2	4.5	1	3.4	0.75		A	Yes	\$2,014
16180286	MW500 A 04P3 S2 DB66C2DSA70G2	5.7	1	4.3	1		A	Yes	\$2,042
16181883	MW500 A 06P0 S2 DB66C2DSA70G2	6	1.5	6	1.5		A	Yes	\$2,135
460V - 3AC									
16183165	MW500 A 01P3 T4 DB66C2DSA70G2	1.7	0.75	1.3	0.5	70 mm	A	Yes	\$2,066
16184427	MW500 A 01P6 T4 DB66C2DSA70G2	2.1	1	1.6	0.75		A	Yes	\$2,082
16185515	MW500 A 02P0 T4 DB66C2DSA70G2	2.6	1	2	0.75		A	Yes	\$2,106
16186818	MW500 A 02P6 T4 DB66C2DSA70G2	3.4	2	2.6	1		A	Yes	\$2,135
16186913	MW500 A 04P3 T4 DB66C2DSA70G2	5.7	3	4.3	2		A	Yes	\$2,468
16187347	MW500 B 05P2 T4 DB66C2DSA70G2	6.9	3	5.2	3		B	Yes	\$2,703
16188174	MW500 B 06P5 T4 DB66C2DSA70G2	8.6	5	6.5	3		B	Yes	\$2,827
16188853	MW500 B 10P0 T4 DB66C2DSA70G2	13.3	7.5	10	5		B	Yes	\$3,032
16189427	MW500 C 14P0 T4 DB66C2DSG2	16.5	10	14	10	70 / 110 mm	C	Yes	\$3,527
16189701	MW500 C 16P0 T4 DB66C2DSG2	19.2	10	16	10	mm	C	Yes	\$3,979

(1) Ratings considering the MW500 assembled on the self-ventilated motor frame with maximum 40°C surrounding temperature.

(2) Wall ratings considering wall assembly at 40°C or self-ventilated motor assembly with 50°C.

(3) Motor power ratings are based on: WEG - 4 poles - UL508-C - 230V/60Hz & 460V/60Hz

Variable Speed Drives

MW500 - Accessories

Part Number	Product	Description	List Price
14741859	CFW500-IOS	IOS standard I/O expansion module	\$174
14742006	CFW500-IOD	IOD expansion module	\$220
14742129	CFW500-IOAD	IOAD expansion module	\$287
14968050	CFW500-IOR-B	IOR expansion module	\$196
14742001	CFW500-CUSB	USB communication module + Cable	\$333
14741999	CFW500-CCAN	CAN interface module (CANopen/DeviceNet)	\$219
14742005	CFW500-CRS232	RS-232 serial communication module (Modbus-RTU)	\$219
15353140	CFW500-CRS485-B	RS-485 serial communication module (Modbus-RTU)	\$227
12443605	CFW500-CPDP2	Profibus DP & DP-V1 interface module (terminal block connector)	\$637
12892815	CFW500-CEMB-TCP	Modbus TCP communication module	\$785
12892816	CFW500-CEPN-IO	Profinet/IO communication module	\$785
12892814	CFW500-CETH-IP	Ethernet/IP communication module	\$785
15560296	CFW500-SFY2	Safety Functions Module - STO and SS1-t (for MW500 G2 version)	\$300
11636485	CFW500-MMF	Flash memory module	\$267
11833992	CFW500-HMIR	Remote keypad	\$357
13929707	MW500-CCHMIR02M	2m (6.6ft) remote keypad cable (M8-DB9 connectors)	\$38
12330016	CFW500-CCHMIR01M	1m (3.3ft) remote keypad cable	\$50
12330459	CFW500-CCHMIR02M	2m (6.6ft) remote keypad cable	\$66
12330460	CFW500-CCHMIR03M	3m (10ft) remote keypad cable	\$81
12330461	CFW500-CCHMIR05M	5m (16ft) remote keypad cable	\$98
12330462	CFW500-CCHMIR75M	7.5m (25ft) remote keypad cable	\$114
12330463	CFW500-CCHMIR10M	10m (33ft) remote keypad cable	\$45
13100469	MW500-KCFA-CL56	Wall Mounting Kit - Frame size A - 56mm terminal box	\$45
13100470	MW500-KCFA-CL70	Wall Mounting Kit - Frame size A - 70mm terminal box	\$52
12362338	MW500-KCFB-CL56	Wall Mounting Kit - Frame size B - 56mm terminal box	\$52
13100468	MW500-KCFB-CL70	Wall Mounting Kit - Frame size B - 70mm terminal box	\$81
14142303	MW500-KCFC-CL70/110	Wall Mounting Kit - Frame size C	\$77
12778122	MW500-KAIM-A56	56mm terminal box Adaptor kit for frame size A	\$77
13185989	MW500-KAIM-A70	70mm terminal box Adaptor kit for frame size A	\$77
12778123	MW500-KAIM-B56	56mm terminal box Adaptor kit for frame size B	\$85
12778124	MW500-KAIM-B70	70mm terminal box Adaptor kit for frame size B	\$85

SSW05 Micro Soft-Starter

The SSW05 electronic Soft-Starter has been designed to drive three-phase induction motors applied to light duty loads.

Applications

- Centrifugal Pumps
- Axial Fans
- Screw Compressors



Certifications:



Technical data:

- Voltage range: 220-440 V and 460-575 V for three-phase power supply
- Control and Fan power supply: 90...250Vac
- Current/Power range: up to 85 Amps / 55kW (75HP)
- Overload capacity: 300% for 10 seconds every 15 minutes
- Degree of protection: IP00
- Operating temperature: 0 to 55°C
- Altitude: 0 to 1000m
up to 4000m with current reduction (1% for every 100m above 1000m)
- Humidity: 5 to 90% non-condensing.
- Initial Voltage Adjustment (30%...90%)
- Acceleration ramp time 1...20s
- Deceleration ramp time: OFF or 1...20s
- Rated Motor Current Adjustment: 30%...100%
- Built-in By-pass
- **I/O connections:**
 - 1 Digital Input to Start/Sop function
 - 1 Output Relay indicating when the Soft-Starter reached 100% of rated voltage (for by-pass)
 - 1 Output Relay indicating that the Soft-Starter is running
 - 1 Digital Input for errors reset

Fieldbus:										
RS232 WEGbus	RS485 WEGbus	Modbus RTU	Modbus TCP	Profibus DP	Profibus DPV1	Profinet	CANopen	DeviceNet	EtherNet/IP	BACnet
Standard	MIW-02	N/A	N/A	N/A	N/A	N/A	N/A	N/A	N/A	N/A

Accessories:

- Remote Keypad
- Communication Cables

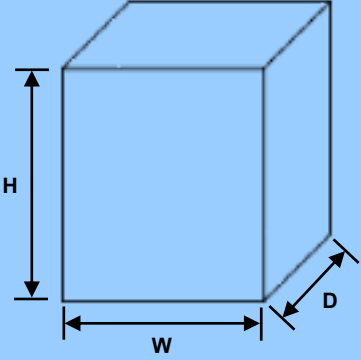
SSW05

Micro Soft-Starter

Product and Series	Model Identification					Special hardware version	Special software version	End of code
	Rated current (A)	No. of phases power supply	Rated voltage	Manual Language	Product version			
SSW05	10	T	2246	T	P	-	-	Z
SSW05	3	T = three-phase	2246 = 220...460Vac					
	10	2246 = 220...460Vac						
	16	4657 = 460...575Vac						
	23	T = Trilingual						
	30	P = Portuguese						
	45	E = English						
	60	S = Spanish						
	85	P = Plus version						
		Blank = Standard version						
		Hx = Optional version x (H1...Hn)						
		Blank = Standard version						
		Sx = Optional version x (S1...Sn)						
	Z = End of coding							

Dimensions and weight (without packaging):

Frame size	Height mm (in)	Width mm (in)	Depth mm (in)	Weight kg (lbs)
1	130 (5.12)	59 (2.32)	145 (5.71)	0.8 (1.76)
2	185 (7.28)	79 (3.11)	172 (6.77)	1.7 (3.75)



Soft Starters

SSW05 - Plus - 220~460V & 460~575V

Material Number	Part Number	Rated Current	Motor ⁽¹⁾	Frame Size	Max. ⁽²⁾ Temp.	List Price
		A	HP			
230V - 3AC						
10413826	SSW05 0003 T2246 TPZ	3	0.5	1	55°C	\$900
10413820	SSW05 0010 T2246 TPZ	10	3	1	55°C	\$919
10413821	SSW05 0016 T2246 TPZ	16	5	1	55°C	\$1,012
10413822	SSW05 0023 T2246 TPZ	23	7.5	1	55°C	\$1,092
10413823	SSW05 0030 T2246 TPZ	30	10	1	55°C	\$1,172
10413824	SSW05 0045 T2246 TPZ	45	15	2	55°C	\$1,507
10328754	SSW05 0060 T2246 TPZ	60	20	2	55°C	\$1,843
10413825	SSW05 0085 T2246 TPZ	85	30	2	55°C	\$2,216
460V - 3AC						
10413826	SSW05 0003 T2246 TPZ	3	0.5	1	55°C	\$900
10413820	SSW05 0010 T2246 TPZ	10	5	1	55°C	\$919
10413821	SSW05 0016 T2246 TPZ	16	10	1	55°C	\$1,012
10413822	SSW05 0023 T2246 TPZ	23	15	1	55°C	\$1,092
10413823	SSW05 0030 T2246 TPZ	30	20	1	55°C	\$1,172
10413824	SSW05 0045 T2246 TPZ	45	30	2	55°C	\$1,507
10328754	SSW05 0060 T2246 TPZ	60	40	2	55°C	\$1,843
10413825	SSW05 0085 T2246 TPZ	85	60	2	55°C	\$2,216
575V - 3AC						
10052025	SSW05 0003 T4657 TPZ	3	2	1	55°C	\$940
10686569	SSW05 0010 T4657 TPZ	10	7.5	1	55°C	\$983
10686571	SSW05 0016 T4657 TPZ	16	10	1	55°C	\$1,116
10686572	SSW05 0023 T4657 TPZ	23	20	1	55°C	\$1,203
10686573	SSW05 0030 T4657 TPZ	30	25	1	55°C	\$1,288
10686576	SSW05 0045 T4657 TPZ	45	40	2	55°C	\$1,659
10584471	SSW05 0060 T4657 TPZ	60	50	2	55°C	\$2,026
10052026	SSW05 0085 T4657 TPZ	85	75	2	55°C	\$2,432

110V or 230V Control power supply required

(1) Motor power ratings are based on: WEG - 4 poles - UL508-C - 230V/60Hz & 460V/60Hz & 575V/60Hz

(2) Maximum surrounding air temperature without current derating

SSW05 - Accessories

Material Number	Part Number	Description	List Price
Cables for HMI			
10050268	CAB-RS-1	Cable for Serial Keypad - 1m	\$37
10190951	CAB-RS-2	Cable for Serial Keypad - 2m	\$49
10211478	CAB-RS-3	Cable for Serial Keypad - 3m	\$66
10211479	CAB-RS-5	Cable for Serial Keypad - 5m	\$81
10050302	CAB-RS-7.5	Cable for Serial Keypad - 7.5m	\$97
10191029	CAB-RS-10	Cable for Serial Keypad - 10m	\$114
Keypad Accessories			
10993032	HMI-SSW05-RS	Serial Keypad	\$202
Communication Modules			
10051677	MIW-02	WEG RS-232 to RS-485 Interface Module	\$340

The Soft Starter SSW-07 series has been developed on the matter of achieving the best cost-benefit ratio, the SSW07 applied for heavy load starts.

SSW07 for Heavy Loads

- Stone Crusher
- Centrifuge
- Wood Chipper
- Wood Slicing machine
- Conveyor
- Axial and Centrifugal Fan
- Ball Mill (Ceramic)
- Hammer Mill



Certifications:



Technical data:

- Voltage range: 220-575 Vac for three-phase power supply
- Current range/power: up to 412 Amps / 300kW (450HP)
- Power range: up to 110kW @ 230Vac, 220kW @ 400Vac and 300kW @ 525Vac.
- Overload capacity: 300% during 30 seconds

- Degree of protection: IP20 (up to 85A) and IP00 (130A and above)
- Operating temperature: 0 to 55°C
- Altitude: 0 to 1000m
up to 4000m with current reduction (1% for every 100m above 1000m)

- Built-in By-pass

- Control features:

- Pump Control system
- Voltage Ramp Control
- Voltage Kick Start
- Current Limit

- I/O connections:

- 3 Isolated digital inputs
- 2 Outputs relays with NO contacts, 240 V / 1 A, programmable functions

Fieldbus:

RS232 Modbus RTU	RS485 Modbus RTU	Modbus TCP	Profibus DP	Profibus DPV1	Profinet	CANopen	DeviceNet	EtherNet/IP	BACnet
KRS-232 SSW07/08	KRS-485 SSW07/08	N/A	N/A	N/A	N/A	N/A	KFB-DN SSW07/08	N/A	N/A

Accessories:

- Remote HMI
- IP20 protections
- I/Os Expansions
- PT100 transducer

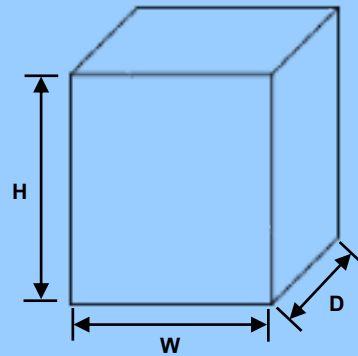
SSW07

General Purpose Soft- Starter

Product and Series	Model Identification					Special hardware version	Special software version	End of code
	Rated current (A)	Power supply	Rated voltage	Product version	Degree of protection			
	0085	T	5	S	-	-	-	Z
SSW07	17	T = Three-phase						
	24	5 = 220...575Vac						
	30	S = Standard						
	45	O = with additional option						
	61	Blank = Standard version						
	85	IP = IP20 for models from 130A up to 412A						
	130	Blank = Standard version						
	171	H1 = Electronic Supply 110...130Vac (frame size 4)						
	200	H2 = Electronic Supply 208...240Vac (frame size 4)						
	255	Blank = Standard version						
	312	Sx = Optional version x (S1...Sn)						
	365	Z = End of coding						
412								

Dimensions and weight (without packaging):

Frame size	Height mm (in)	Width mm (in)	Depth mm (in)	Weight kg (lbs)
1	162 (6.38)	95 (3.74)	157 (6.18)	1.3 (2.87)
2	209 (8.23)	141 (5.55)	202 (7.95)	3.3 (7.28)
3	276 (10.87)	218 (8.58)	220 (8.66)	7.6 (16.76)
4	331 (13.03)	227 (8.94)	242 (9.53)	11.5 (25.35)



Soft Starters

SSW07 - Heavy Load Starts - 200~575V

Material Number	Part Number	Rated Current	Motor ⁽¹⁾	Frame Size	Max. ⁽²⁾ Temp.	List Price
		A	HP			
230V - 3AC						
10194170	SSW07 0017 T5 SZ	17	5	1	55°C	\$1,959
10194171	SSW07 0024 T5 SZ	24	7.5	1	55°C	\$2,083
10194172	SSW07 0030 T5 SZ	30	10	1	55°C	\$2,145
10194173	SSW07 0045 T5 SZ	45	15	2	55°C	\$2,410
10194174	SSW07 0061 T5 SZ	61	20	2	55°C	\$2,686
10194175	SSW07 0085 T5 SZ	85	30	2	55°C	\$3,202
10194176	SSW07 0130 T5 SZ	130	50	3	55°C	\$3,961
10233130	SSW07 0171 T5 SZ	171	60	3	55°C	\$4,965
10233131	SSW07 0200 T5 SZ	200	75	3	55°C	\$5,844
11043354	SSW07 0255 T5 SH1Z*	255	100	4	55°C	\$7,773
11043356	SSW07 0312 T5 SH1Z*	312	125	4	55°C	\$8,441
11043368	SSW07 0365 T5 SH1Z*	365	150	4	55°C	\$8,772
11043370	SSW07 0412 T5 SH1Z*	412	150	4	55°C	\$10,293
11043355	SSW07 0255 T5 SH2Z*	255	100	4	55°C	\$7,773
11043357	SSW07 0312 T5 SH2Z*	312	125	4	55°C	\$8,441
11043369	SSW07 0365 T5 SH2Z*	365	150	4	55°C	\$8,772
11043371	SSW07 0412 T5 SH2Z*	412	150	4	55°C	\$10,293
460V - 3AC						
10194170	SSW07 0017 T5 SZ	17	10	1	55°C	\$1,959
10194171	SSW07 0024 T5 SZ	24	15	1	55°C	\$2,083
10194172	SSW07 0030 T5 SZ	30	20	1	55°C	\$2,145
10194173	SSW07 0045 T5 SZ	45	30	2	55°C	\$2,410
10194174	SSW07 0061 T5 SZ	61	40	2	55°C	\$2,686
10194175	SSW07 0085 T5 SZ	85	60	2	55°C	\$3,202
10194176	SSW07 0130 T5 SZ	130	100	3	55°C	\$3,961
10233130	SSW07 0171 T5 SZ	171	125	3	55°C	\$4,965
10233131	SSW07 0200 T5 SZ	200	150	3	55°C	\$5,844
11043354	SSW07 0255 T5 SH1Z*	255	200	4	55°C	\$7,773
11043356	SSW07 0312 T5 SH1Z*	312	250	4	55°C	\$8,441
11043368	SSW07 0365 T5 SH1Z*	365	300	4	55°C	\$8,772
11043370	SSW07 0412 T5 SH1Z*	412	350	4	55°C	\$10,293
11043355	SSW07 0255 T5 SH2Z*	255	200	4	55°C	\$7,773
11043357	SSW07 0312 T5 SH2Z*	312	250	4	55°C	\$8,441
11043369	SSW07 0365 T5 SH2Z*	365	300	4	55°C	\$8,772
11043371	SSW07 0412 T5 SH2Z*	412	350	4	55°C	\$10,293
575V - 3AC						
10194170	SSW07 0017 T5 SZ	17	15	1	55°C	\$1,959
10194171	SSW07 0024 T5 SZ	24	20	1	55°C	\$2,083
10194172	SSW07 0030 T5 SZ	30	25	1	55°C	\$2,145
10194173	SSW07 0045 T5 SZ	45	40	2	55°C	\$2,410
10194174	SSW07 0061 T5 SZ	61	60	2	55°C	\$2,686
10194175	SSW07 0085 T5 SZ	85	75	2	55°C	\$3,202
10194176	SSW07 0130 T5 SZ	130	125	3	55°C	\$3,961
10233130	SSW07 0171 T5 SZ	171	150	3	55°C	\$4,965
10233131	SSW07 0200 T5 SZ	200	200	3	55°C	\$5,844
11043354	SSW07 0255 T5 SH1Z*	255	250	4	55°C	\$7,773
11043356	SSW07 0312 T5 SH1Z*	312	300	4	55°C	\$8,441
11043368	SSW07 0365 T5 SH1Z*	365	350	4	55°C	\$8,772
11043370	SSW07 0412 T5 SH1Z*	412	400	4	55°C	\$10,293
11043355	SSW07 0255 T5 SH2Z*	255	250	4	55°C	\$7,773
11043357	SSW07 0312 T5 SH2Z*	312	300	4	55°C	\$8,441
11043369	SSW07 0365 T5 SH2Z*	365	350	4	55°C	\$8,772
11043371	SSW07 0412 T5 SH2Z*	412	400	4	55°C	\$10,293

* H1 = 115V Ventilation / H2 = 230V Ventilation

90~230V Control power supply required

(1) Motor power ratings are based on: WEG - 4 poles - UL508-C - 230V/60Hz & 460V/60Hz & 575V/60Hz

(2) Maximum surrounding air temperature without current derating

Soft Starters

SSW07 - Accessories

Material Number	Part Number	Description	List Price
Keypad Accessories			
10935572	HMI - Local - SSW07	Keypad	\$248
10935649	HMI - Remote - SSW07	Remote Keypad Kit (HMI + MIS) - SSW07	\$483
12368331	HMI-SSW07-REM+RS485	Remote Keypad Kit (HMI + RS485) - SSW07	\$488
Cables for HMI			
10050268	CAB-RS-1	Cable for Serial Keypad - 1m	\$37
10190951	CAB-RS-2	Cable for Serial Keypad - 2m	\$49
10211478	CAB-RS-3	Cable for Serial Keypad - 3m	\$66
10211479	CAB-RS-5	Cable for Serial Keypad - 5m	\$81
10050302	CAB-RS-7.5	Cable for Serial Keypad - 7.5m	\$97
10191029	CAB-RS-10	Cable for Serial Keypad - 10m	\$114
Communication			
10935578	KRS - 232 - SSW07	RS-232 Communication Kit	\$199
10935573	KRS - 485 - SSW07	RS-485 Communication Kit	\$234
10935681	KFB-DN SSW07	DeviceNet Communication Kit + Remote HMI Connection	\$471
Cables for Communication			
10050328	CAB-RS-3	Cable for Communication RS232 (DB9-DB9) - 3 m	\$113
10191117	CAB-RS-10	Cable for Communication RS232 (DB9-DB9) - 10 m	\$244
Ventilation Kit			
10935650	Ventilation Kit M2	Ventilation Kit M2 (45 to 85 A)	\$109
10935559	Ventilation Kit M3	Ventilation Kit M3 (130 to 200 A)	\$157
PTC Kit			
10935663	Kit PTC SSW07 Motor	PTC Kit for motor	\$184
IP20 Kit			
10935651	KIT IP20 Size 3	IP20 Kit for M3 (130 to 200 A)	\$93
11059230	KIT IP20 Size 4	IP20 Kit for M4 (255 to 412 A)	\$179
Front cover Kit for power terminals			
14691775	SSW07-SSW900 KPT-MEC 03/C	Front cover kit for power terminals for SSW07 frame 3 and SSW900 frame C (130 to 200 A)	\$77
14691772	SSW07-SSW900 KPT-MEC 04/D	Front cover kit for power terminals for SSW07 frame 4 and SSW900 frame D (255 to 412 A)	\$93
Superdrive Kit			
10945062	KSDG2 SSW07	Superdrive G2 Kit (KRS-232-SSW07+CAB-RS-3+CD Software)	\$333

SSW900

Soft-Starter

The SSW900 is designed for Heavy and light duty applications offering a big variety of functions as well as accessories that meet entirely the market demands in all segments. Beyond all great functionalities found on current WEG Softstarters additional flexibility were given to the SSW900 like Modern and easy to use display with embedded USB port, Real Time Clock(RTC), several new communication modules (Profinet IO, Modbus TCP, Ethernet IP) and Soft PLC capability using WPS software.

Applications

- Pumps
- Centrifugal Fans
- Compressors
- Conveyors
- Crushers



Certifications:



SSW900

Soft-Starter

Technical data:

- Voltage range: 220-690 V for three-phase power supply
- Current range: 10 up to 1400 Amps / (2200HP)
- Overload capacity: 300% for 30 seconds, 10 Starts/hour (with ventilation kit) for frame sizes A through D
- Overload capacity: 300% for 30 seconds, 5 Starts/hour for frame size E through G
- Degree of protection: IP20 (10 to 105A) and IP00 (130A and above)
- Operating temperature: 0 to 55°C for frame sizes A to D and 0 to 40°C for frame size E to G.
- Altitude: 0 to 1000m
 - From 1000 to 4000m with current reduction (1% for every 100m)
 - From 2000m up to 4000m with voltage reduction (1.1% for every 100m)
- Humidity: 5 to 90% non-condensing.
- Built-in By-pass
- Graphic Keypad
- Soft PLC Built-in
- USB Built into the keypad
- Three different braking methods
- Standard three wires or inside delta connection (six wires)
- Fire mode
- Real Time Clock
- Thermistor input

- Control features:

- | | |
|----------------------------------|---|
| Copy function(keypad) | 2 slots for IO expansion or communication Modules |
| Voltage and Current Ramp Control | Help Soft key for programming |
| Current limitation | Log of events |
| Torque control | |

- I/O connections:

	Std
Digital inputs	5
Digital outputs	-
Relay outputs	3
Analog inputs	-
Analog outputs	1

- Fieldbus:

RS232 Modbus RTU	RS485 Modbus RTU	Modbus TCP	Profibus DP-V1/V0	Modbus-TCP	Profinet IO	CANopen/ DeviceNet	DeviceNet	EtherNet/IP	BACnet
N/A	SSW900-CRS485-W	SSW900-CMB-TCP-N	SSW900-CPDP-N	SSW900-CMB-TCP-N	SSW900-CPN-IO-N	SSW900-CAN-W	SSW900-CDN-N	SSW900-CETH-IP-N	N/A

Accessories:

- Remote keypad kit (frame + cable)
- IP20 kit
- 6 Channels RTD Module
- External Current Acquisition kit
- Ventilation kit
- Touch Protection kit
- Kit with six bars

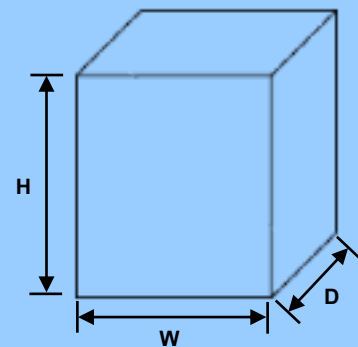
SSW900

Soft-Starter

Product and Series	Model Identification				Special hardware version	Special software version
	Rated current (A)	Power supply	Rated voltage	Control Voltage		
SSW900	0085	T	5	E	-	-
SSW900	0010	T = Three-phase				
	0017	5 = 220...575Vac				
	0024	6 = 380...690Vac				
	0030	E2 = 110~240V				
	0045	E3 = 110~130V				
	0061	E4 = 220~240V				
	0085	Blank = Standard version				
	0105	B = Bluetooth Version				
	0130	Hx = Optional version x (H1...Hn)				
	0171	Blank = Standard version				
	0200	Sx = Optional version x (S1...Sn)				
	0255					
	0312					
	0365					
	0412					
	0255					
	0312					
	0365					
	0412					
	480					
604						
670						
820						
950						
1100						
1400						

Dimensions and weight (without packaging):

Frame size	Height mm (in)	Width mm (in)	Depth mm (in)	Weight kg (lbs)
A	200 (7.87)	127 (5)	203 (7.99)	1.93 (4.25)
B	208 (8.19)	144 (5.67)	260 (10.24)	4.02 (8.86)
C	276 (10.87)	223 (8.78)	261 (10.28)	6.55 (14.44)
D	331 (13.03)	227 (8.94)	282 (11.1)	12.83 (28.28)
E	575 (22.64)	390 (15.35)	260 (10.24)	38.00 (83.75)
F	760 (29.92)	760 (29.92)	316 (12.44)	75.4 (166.23)
G	914 (35.98)	914 (35.98)	316 (12.44)	107.2 (236.34)



Soft Starters

SSW900 - Standard - 220~575V

Material Number	Part Number ⁽⁴⁾	Rated Current		Motor ⁽¹⁾		Frame Size	Max. ⁽²⁾ Temp.	Control Voltage (Vac)	List Price
		3 Wires	6 Wires ⁽³⁾	3 Wires	6 Wires ⁽³⁾				
		A		HP					
230V - 3AC									
12955638	SSW900 A 0010 T5 E2	10	-	3	-	A	55°C	110~240	\$2,168
12955639	SSW900 A 0017 T5 E2	17	-	5	-	A	55°C		\$2,435
12956520	SSW900 A 0024 T5 E2	24	-	7.5	-	A	55°C		\$2,674
12960992	SSW900 A 0030 T5 E2	30	-	10	-	A	55°C		\$2,897
12956526	SSW900 B 0045 T5 E2	45	-	15	-	B	55°C		\$3,364
12960988	SSW900 B 0061 T5 E2	61	-	20	-	B	55°C		\$3,712
12956628	SSW900 B 0085 T5 E2	85	-	30	-	B	55°C		\$4,553
12956525	SSW900 B 0105 T5 E2	105	-	40	-	B	55°C		\$4,780
12956521	SSW900 C 0130 T5 E2	130	225	50	75	C	55°C		\$5,399
12956523	SSW900 C 0171 T5 E2	171	296	60	100	C	55°C		\$6,612
12960989	SSW900 C 0200 T5 E2	200	346	75	125	C	55°C	\$8,316	
13256759	SSW900 D 0255 T5 E3	255	442	100	150	D	55°C	110~130	\$11,536
13256762	SSW900 D 0312 T5 E3	312	540	125	200	D	55°C		\$12,527
13256764	SSW900 D 0365 T5 E3	365	632	150	250	D	55°C		\$13,021
13256768	SSW900 D 0412 T5 E3	412	714	150	250	D	55°C		\$15,273
14418578	SSW900 E 0480 T5 E3	480	831	200	350	E	40°C		\$16,081
14418678	SSW900 E 0604 T5 E3	604	1046	250	400	E	40°C		\$17,868
14419093	SSW900 E 0670 T5 E3	670	1160	250	400	E	40°C		\$20,454
14418584	SSW900 F 0820 T5 E3	820	1420	350	500	F	40°C		\$24,047
14418483	SSW900 F 0950 T5 E3	950	1645	400	500	F	40°C		\$35,919
14418797	SSW900 G 1100 T5 E3	1100	1905	400	500	G	40°C		\$43,122
14419091	SSW900 G 1400 T5 E3	1400	2425	500	500	G	40°C	\$55,273	
13256760	SSW900 D 0255 T5 E4	255	442	100	150	D	55°C	220~240	\$11,536
13256763	SSW900 D 0312 T5 E4	312	540	125	200	D	55°C		\$12,527
13256766	SSW900 D 0365 T5 E4	365	632	150	250	D	55°C		\$13,021
13256770	SSW900 D 0412 T5 E4	412	714	150	250	D	55°C		\$15,273
14418579	SSW900 E 0480 T5 E4	480	831	200	350	E	40°C		\$16,081
14418681	SSW900 E 0604 T5 E4	604	1046	250	400	E	40°C		\$17,868
14419094	SSW900 E 0670 T5 E4	670	1160	250	400	E	40°C		\$20,454
14418585	SSW900 F 0820 T5 E4	820	1420	350	500	F	40°C		\$24,047
14419092	SSW900 F 0950 T5 E4	950	1645	400	500	F	40°C		\$35,919
14419096	SSW900 G 1100 T5 E4	1100	1905	400	500	G	40°C		\$43,122
14419119	SSW900 G 1400 T5 E4	1400	2425	500	500	G	40°C	\$55,273	

(1) Motor power ratings are based on: WEG - 4 poles - UL508-C - 230V/60Hz

(2) Maximum surrounding air temperature without current derating

(3) Maximum motor current with 6 wires connection (inside delta)

Soft Starters

SSW900 - Standard - 220~575V

Material Number	Part Number ⁽⁴⁾	Rated Current		Motor ⁽¹⁾		Frame Size	Max. ⁽²⁾ Temp.	Control Voltage (Vac)	List Price
		3 Wires	6 Wires ⁽³⁾	3 Wires	6 Wires ⁽³⁾				
		A		HP					
460V - 3AC									
12955638	SSW900 A 0010 T5 E2	10	-	5	-	A	55°C	110~240	\$2,168
12955639	SSW900 A 0017 T5 E2	17	-	10	-	A	55°C		\$2,435
12956520	SSW900 A 0024 T5 E2	24	-	15	-	A	55°C		\$2,674
12960992	SSW900 A 0030 T5 E2	30	-	20	-	A	55°C		\$2,897
12956526	SSW900 B 0045 T5 E2	45	-	30	-	B	55°C		\$3,364
12960988	SSW900 B 0061 T5 E2	61	-	40	-	B	55°C		\$3,712
12956628	SSW900 B 0085 T5 E2	85	-	60	-	B	55°C		\$4,553
12956525	SSW900 B 0105 T5 E2	105	-	75	-	B	55°C		\$4,780
12956521	SSW900 C 0130 T5 E2	130	225	100	150	C	55°C		\$5,399
12956523	SSW900 C 0171 T5 E2	171	296	125	200	C	55°C		\$6,612
12960989	SSW900 C 0200 T5 E2	200	346	150	250	C	55°C	\$8,316	
13256759	SSW900 D 0255 T5 E3	255	442	200	350	D	55°C	110~130	\$11,536
13256762	SSW900 D 0312 T5 E3	312	540	250	400	D	55°C		\$12,527
13256764	SSW900 D 0365 T5 E3	365	632	300	500	D	55°C		\$13,021
13256768	SSW900 D 0412 T5 E3	412	714	350	600	D	55°C		\$15,273
14418578	SSW900 E 0480 T5 E3	480	831	400	700	E	40°C		\$16,081
14418678	SSW900 E 0604 T5 E3	604	1046	500	800	E	40°C		\$17,868
14419093	SSW900 E 0670 T5 E3	670	1160	500	900	E	40°C		\$20,454
14418584	SSW900 F 0820 T5 E3	820	1420	700	1100	F	40°C		\$24,047
14418483	SSW900 F 0950 T5 E3	950	1645	800	1350	F	40°C		\$35,919
14418797	SSW900 G 1100 T5 E3	1100	1905	900	1620	G	40°C		\$43,122
14419091	SSW900 G 1400 T5 E3	1400	2425	1100	2025	G	40°C	\$55,273	
13256760	SSW900 D 0255 T5 E4	255	442	200	350	D	55°C	220~240	\$11,536
13256763	SSW900 D 0312 T5 E4	312	540	250	400	D	55°C		\$12,527
13256766	SSW900 D 0365 T5 E4	365	632	300	500	D	55°C		\$13,021
13256770	SSW900 D 0412 T5 E4	412	714	350	600	D	55°C		\$15,273
14418579	SSW900 E 0480 T5 E4	480	831	400	700	E	40°C		\$16,081
14418681	SSW900 E 0604 T5 E4	604	1046	500	800	E	40°C		\$17,868
14419094	SSW900 E 0670 T5 E4	670	1160	500	900	E	40°C		\$20,454
14418585	SSW900 F 0820 T5 E4	820	1420	700	1100	F	40°C		\$24,047
14419092	SSW900 F 0950 T5 E4	950	1645	800	1350	F	40°C		\$35,919
14419096	SSW900 G 1100 T5 E4	1100	1905	900	1620	G	40°C		\$43,122
14419119	SSW900 G 1400 T5 E4	1400	2425	1100	2025	G	40°C	\$55,273	

(1) Motor power ratings are based on: WEG - 4 poles - UL508-C - 460V/60Hz

(2) Maximum surrounding air temperature without current derating

(3) Maximum motor current with 6 wires connection (inside delta)

Soft Starters

SSW900 - Standard - 220~575V

Material Number	Part Number ⁽⁴⁾	Rated Current		Motor ⁽¹⁾		Frame Size	Max. ⁽²⁾ Temp.	Control Voltage (Vac)	List Price
		3 Wires	6 Wires ⁽³⁾	3 Wires	6 Wires ⁽³⁾				
		A		HP					
575V - 3AC									
12955638	SSW900 A 0010 T5 E2	10	-	7.5	-	A	55°C	110~240	\$2,168
12955639	SSW900 A 0017 T5 E2	17	-	15	-	A	55°C		\$2,435
12956520	SSW900 A 0024 T5 E2	24	-	20	-	A	55°C		\$2,674
12960992	SSW900 A 0030 T5 E2	30	-	25	-	A	55°C		\$2,897
12956526	SSW900 B 0045 T5 E2	45	-	40	-	B	55°C		\$3,364
12960988	SSW900 B 0061 T5 E2	61	-	60	-	B	55°C		\$3,712
12956628	SSW900 B 0085 T5 E2	85	-	75	-	B	55°C		\$4,553
12956525	SSW900 B 0105 T5 E2	105	-	100	-	B	55°C		\$4,780
12956521	SSW900 C 0130 T5 E2	130	-	125	-	C	55°C		\$5,399
12956523	SSW900 C 0171 T5 E2	171	-	150	-	C	55°C		\$6,612
12960989	SSW900 C 0200 T5 E2	200	-	200	-	C	55°C		\$8,316
13256759	SSW900 D 0255 T5 E3	255	-	250	-	D	55°C		110~130
13256762	SSW900 D 0312 T5 E3	312	-	300	-	D	55°C	\$12,527	
13256764	SSW900 D 0365 T5 E3	365	-	350	-	D	55°C	\$13,021	
13256768	SSW900 D 0412 T5 E3	412	-	400	-	D	55°C	\$15,273	
14418578	SSW900 E 0480 T5 E3	480	-	500	-	E	40°C	\$16,081	
14418678	SSW900 E 0604 T5 E3	604	-	600	-	E	40°C	\$17,868	
14419093	SSW900 E 0670 T5 E3	670	-	700	-	E	40°C	\$20,454	
14418584	SSW900 F 0820 T5 E3	820	-	800	-	F	40°C	\$24,047	
14418483	SSW900 F 0950 T5 E3	950	-	1000	-	F	40°C	\$35,919	
14418797	SSW900 G 1100 T5 E3	1100	-	1100	-	G	40°C	\$43,122	
14419091	SSW900 G 1400 T5 E3	1400	-	1350	-	G	40°C	\$55,273	
13256760	SSW900 D 0255 T5 E4	255	-	250	-	D	55°C	220~240	
13256763	SSW900 D 0312 T5 E4	312	-	300	-	D	55°C		\$12,527
13256766	SSW900 D 0365 T5 E4	365	-	350	-	D	55°C		\$13,021
13256770	SSW900 D 0412 T5 E4	412	-	400	-	D	55°C		\$15,273
14418579	SSW900 E 0480 T5 E4	480	-	500	-	E	40°C		\$16,081
14418681	SSW900 E 0604 T5 E4	604	-	600	-	E	40°C		\$17,868
14419094	SSW900 E 0670 T5 E4	670	-	700	-	E	40°C		\$20,454
14418585	SSW900 F 0820 T5 E4	820	-	800	-	F	40°C		\$24,047
14419092	SSW900 F 0950 T5 E4	950	-	1000	-	F	40°C		\$35,919
14419096	SSW900 G 1100 T5 E4	1100	-	1100	-	G	40°C		\$43,122
14419119	SSW900 G 1400 T5 E4	1400	-	1350	-	G	40°C		\$55,273

(1) Motor power ratings are based on: WEG - 4 poles - UL508-C - 575V/60Hz

(2) Maximum surrounding air temperature without current derating

(3) Maximum motor current with 6 wires connection (inside delta)

Soft Starters

SSW900 - Standard - 380~690V

Material Number	Part Number ⁽⁴⁾	Rated Current		Motor ⁽¹⁾		Frame Size	Max. ⁽²⁾ Temp.	Control Voltage (Vac)	List Price	
		3 Wires	6 Wires ⁽³⁾	3 Wires	6 Wires ⁽³⁾					
		A		HP						
690V - 3AC										
15376129	SSW900 C 0130 T6 E2 ⁽⁴⁾	130	-	125	-	C	55°C	110~240	\$6,751	
15376135	SSW900 C 0171 T6 E2 ⁽⁴⁾	171	-	150	-	C	55°C		\$8,267	
15376137	SSW900 C 0200 T6 E2 ⁽⁴⁾	200	-	200	-	C	55°C		\$10,393	
15376169	SSW900 D 0255 T6 E3 ⁽⁴⁾	255	-	250	-	D	55°C	110~130	\$14,078	
15376407	SSW900 D 0312 T6 E3 ⁽⁴⁾	312	-	300	-	D	55°C		\$15,282	
15376492	SSW900 D 0365 T6 E3 ⁽⁴⁾	365	-	350	-	D	55°C		\$15,884	
15376494	SSW900 D 0412 T6 E3 ⁽⁴⁾	412	-	400	-	D	55°C		\$19,096	
15376548	SSW900 E 0480 T6 E3 ⁽⁴⁾	480	-	500	-	E	40°C		\$20,092	
15376556	SSW900 E 0604 T6 E3 ⁽⁴⁾	604	-	600	-	E	40°C		\$22,410	
15376554	SSW900 E 0670 T6 E3 ⁽⁴⁾	670	-	700	-	E	40°C		\$25,505	
15377223	SSW900 F 0820 T6 E3 ⁽⁴⁾	820	-	800	-	F	40°C		\$30,141	
15377226	SSW900 F 0950 T6 E3 ⁽⁴⁾	950	-	1000	-	F	40°C		\$46,005	
15377450	SSW900 G 1100 T6 E3 ⁽⁴⁾	1100	-	1100	-	G	40°C		\$55,400	
15377540	SSW900 G 1400 T6 E3 ⁽⁴⁾	1400	-	1350	-	G	40°C		\$71,113	
15376404	SSW900 D 0255 T6 E4 ⁽⁴⁾	255	-	250	-	D	55°C		220~240	\$14,078
15376490	SSW900 D 0312 T6 E4 ⁽⁴⁾	312	-	300	-	D	55°C			\$15,282
15376493	SSW900 D 0365 T6 E4 ⁽⁴⁾	365	-	350	-	D	55°C			\$15,884
15376497	SSW900 D 0412 T6 E4 ⁽⁴⁾	412	-	400	-	D	55°C			\$19,096
15376552	SSW900 E 0480 T6 E4 ⁽⁴⁾	480	-	500	-	E	40°C	\$20,092		
15376550	SSW900 E 0604 T6 E4 ⁽⁴⁾	604	-	600	-	E	40°C	\$22,410		
15376580	SSW900 E 0670 T6 E4 ⁽⁴⁾	670	-	700	-	E	40°C	\$25,505		
15377227	SSW900 F 0820 T6 E4 ⁽⁴⁾	820	-	800	-	F	40°C	\$30,141		
15377449	SSW900 F 0950 T6 E4 ⁽⁴⁾	950	-	1000	-	F	40°C	\$46,005		
15377539	SSW900 G 1100 T6 E4 ⁽⁴⁾	1100	-	1100	-	G	40°C	\$55,400		
15377541	SSW900 G 1400 T6 E4 ⁽⁴⁾	1400	-	1350	-	G	40°C	\$71,113		

(1) Motor power ratings are based on: WEG - 4 poles - UL508-C - 690V/60Hz

(2) Maximum surrounding air temperature without current derating

(3) 6 wires connection (inside delta) is not available for 600...690V power supply

(4) Units T6 doesn't carry UL/cUL mark.

Soft Starters

SSW900 - Accessories

Material Number	Part Number	Description	List Price
Keypad and Cables for HMI			
13469204	SSW900-KMD-CB01	Remote Keypad Frame + 1m (3.3ft) Cable	\$97
13466665	SSW900-KMD-CB02	Remote Keypad Frame + 2m (6.6ft) Cable	\$109
13469206	SSW900-KMD-CB03	Remote Keypad Frame + 3m (10ft) Cable	\$125
13469207	SSW900-KMD-CB05	Remote Keypad Frame + 5m (16ft) Cable	\$165
13469208	SSW900-KMD-CB07	Remote Keypad Frame + 7.5m (26ft) Cable	\$225
13469209	SSW900-KMD-CB10	Remote Keypad Frame + 10m (33ft) Cable	\$281
13469211	SSW900-KMD-CB20	Remote Keypad Frame + 20m (66ft) Cable	\$511
Ventilation Kits			
10935650	SW07-SSW08-SSW900 KVT-MEC 2/B	Ventilation Kit for SSW07/08 frame 2 and SSW900 frame B (45 to 105 A)	\$109
10935559	SW07-SSW08-SSW900 KVT-MEC 3/C	Ventilation Kit for SSW07/08 frame 3 and SSW900 frame C (130 to 200 A)	\$157
I/O Expansion Module			
14260747	SSW900-PT100-W	PT100 temperature transducer module (6 inputs)	\$620
Communication			
12966003	SSW900-CDN-N	Devicenet Anybus plug-in module	\$1,844
12966102	SSW900-CETH-IP-N	Ethernet/IP Anybus plug-in module	\$3,196
12966038	SSW900-CMB-TCP-N	Modbus-TCP Anybus plug-in module	\$2,594
12966001	SSW900-CPDP-N	Profibus DP Anybus plug-in module	\$1,693
12966099	SSW900-CPN-IO-N	Profinet IO Anybus plug-in module	\$2,994
12966043	SSW900-CRS485-W	RS485 plug-in module	\$244
14261364	SSW900-CAN-W	CANopen and DeviceNet plug-in module	\$471
14260745	SSW900-CETH-W	Ethernet/IP plug-in module (Check availability)	\$1,756
14773867	SSW900-BT	HMI with Bluetooth connection ⁽¹⁾	\$500
IP20 Kit			
10935651	SSW0708900-IP20-3C	IP20 Kit for SSW07/08 frame 3 and SSW900 frame C (130 to 200 A)	\$93
11059230	SSW0708900-IP20-4D	IP20 Kit for SSW07/08 frame 4 and SSW900 frame D (255 to 412 A)	\$179
External Current Transformer			
14190553	SSW900-KECA-10	External Current Transformer for SSW900 10A	\$599
14197757	SSW900-KECA-17	External Current Transformer for SSW900 17A	\$632
14197809	SSW900-KECA-24	External Current Transformer for SSW900 24A	\$660
14197811	SSW900-KECA-30	External Current Transformer for SSW900 30A	\$679
14197812	SSW900-KECA-45	External Current Transformer for SSW900 45A	\$739
14197814	SSW900-KECA-61	External Current Transformer for SSW900 61A	\$779
14197815	SSW900-KECA-85	External Current Transformer for SSW900 85A	\$819
14197816	SSW900-KECA-105	External Current Transformer for SSW900 105A	\$838
14197817	SSW900-KECA-130	External Current Transformer for SSW900 130A	\$899
14197838	SSW900-KECA-171	External Current Transformer for SSW900 171A	\$939
14197839	SSW900-KECA-200	External Current Transformer for SSW900 200A	\$978
14197840	SSW900-KECA-255	External Current Transformer for SSW900 255A	\$1,218
14197841	SSW900-KECA-312	External Current Transformer for SSW900 312A	\$1,278
14197842	SSW900-KECA-365	External Current Transformer for SSW900 365A	\$1,318
14197843	SSW900-KECA-412	External Current Transformer for SSW900 412A	\$1,337
Front cover Kit for power terminals			
14691775	SSW0708900-PROT-3C	Front cover kit for power terminals for SSW07/08 frame 3 and SSW900 frame C (130 to 200 A)	\$77
14691772	SSW0708900-PROT-4D	Front cover kit for power terminals for SSW07/08 frame 4 and SSW900 frame D (255 to 412 A)	\$93
14691809	SSW900-PROT-E	Front cover kit for power terminals for SSW900 frame E (480 to 670 A)	\$185
Busbar Kit			
14691998	SSW900 - KB-MEC E	Kit with six bars for frame E - external bypass connection	\$448
15144306	SSW900 - KB-MEC F	Kit with six bars for frame F - external bypass connection	\$560
15144348	SSW900 - KB-MEC G	Kit with three bars for frame G : 1x for single side input / output connection and 2x for external bypass connection	\$660

⁽¹⁾ Bluetooth interface is available for USA and part of Europe with FCC and CE certification.

SCA06 Servo Drive

The SCA06 is a high performance product that allows the speed, torque and position control of three-phase sine-wave alternate current servo motors. It has 3 slots for connecting accessories, and they can be installed easily and quickly through the plug-and-play concept. It features an operating interface with LED display with six-digit control, adjustment and view of all parameters. The SCA06 features excellent cost-benefit, with PLC function, positioning blocks, free programming software and CANopen communication included in the standard product that can be used in all kinds of applications.



Certifications:



SCA06

Servo Drive

Technical Data:

- Single-phase and three-phase power supply
- Voltage range: 220-230Vac for single-phase model
220-230Vac or 380-480Vac for three-phase models
- Current range: 4A (single-phase) to 30A (three-phase).
- Control: speed, torque or position
- Switching Frequency: 10kHz
- Protection degree: IP20
- Ambient temperature of operation: 0°C to 50°C (32°F to 122°F).
2% output current reduction for each 1°C above 50°C up to 60°C
- Altitude: 0 to 1000m
above 1000m (3280.8 ft) up to 4000m (13123.3 ft) with output current reduction (1% reduction for each 100m above 1000m)
- Air relative humidity: 5 to 90% non-condensing
- Independent control and power supply
- Position feedback by resolver or HyperFace DSL encoder
- Built-in braking IGBT
- Memory Stick
- HMI with six-digit LED display
- USB port
- Soft-PLC (Programmable Logic Controller - PLC, built-in the standard product)

I/O Interface:								
	Std	EIO1	EAN1	EAN12	EEN1	EEN2	EES1	EES2
Digital inputs	3	12	3	-	-	-	-	-
Transistor digital output	-	3	1	-	-	-	-	-
Relay output	1	3	-	-	-	-	-	-
Analog inputs	1	-	1	-	-	-	-	-
Analog outputs	-	-	-	2	-	-	-	-
Encoder input	-	-	-	-	1	2	-	-
Encoder repeater (5 ... 24 Vdc)	-	-	-	-	-	1	-	-
Encoder simulator output	-	-	1	-	-	-	-	-
Resolver input HDSL	-	-	-	-	-	-	1	-
Resolver input Endat	-	-	-	-	-	-	-	1

Fieldbus:						
CANopen	Modbus RTU	Profibus DPV1	Ethercat	Ethernet IP	Ethernet TCP/IP	Profinet I/O
Factory Standards	ECO1 - Modbus RTU (RS232 y RS485)	ECO3 - PROFIBUS	ECO4 - ETHERCAT	ECO5 - ETHERNET/IP	ECO6 - Ethernet TCP/IP	ECO7 - Profinet I/O

Accessories:

- Digital I/O expansion modules
- Analog Input expansion modules
- Encoder input modules
- Encoder repeater or encoder simulator output module
- Communication modules

Optionals:

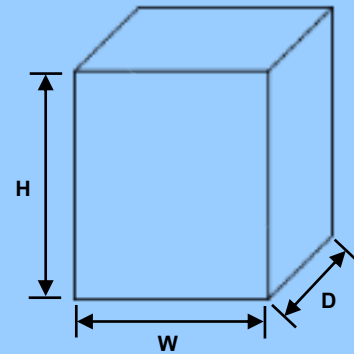
- RFI Filter category C3 (according to EN 61800-3 and EN 55011 standards)
- Safety stop according to EN ISO 13849-1 standard, category 4. Protection level e (PLe)
- +24Vdc internal power supply to the control card and Fieldbus.

SCA06 Servo Drive

Product and Series	Model Identification				RFI Internal Filter	Safety Stop Module	24 Vdc Internal Power Supply	User's Manuals Set
	Size	Rated Current	No. of Phases	Power Supply				
SCA06	B	05P0	D		2	-	-	-
SCA06	B	05P0 = 5 (three-phase power supply)	D = three-phase or single-phase with derating T = three-phase 2 = 220...230Vca 4 = 380...480Vca					
		05P0 = 4A (single-phase power supply)	Blank = without internal RFI filter C3 = with internal RFI filter					
	C	05P3 = 5,3	Blank = without STO module					
		08P0 = 8	Y1 = with STO module according to EN ISO 13849-1					
	D	14P0 = 14	Blank = without internal 24 Vdc power supply					
		16P0 = 16	W2 = with internal 24 Vdc power supply					
24P0 = 24		Blank = without manuals						
E	30P0 = 30	P6 = with portuguese manuals						

Dimensions and Weights (without package):

Size	Height mm (in)	Width mm (in)	Depth mm (in)	Weight kg (lbs)
B	247 (9.72)	75 (2.95)	207 (8.15)	1.6 (3.53)
C	289 (11.38)	75 (2.95)	207 (8.15)	1.9 (4.19)
D	335 (13.19)	102 (4.02)	207 (8.15)	3.7 (8.16)
E	405 (15.94)	220 (8.66)	287 (11.3)	20.5 (45.19)



Servo Drives

SCA06 - Standard - 220~230V & 380~480V

Material Number	Part Number	Rated Output Current	Frame Size	Max. ⁽¹⁾ Temp.	Braking Chopper	List Price
		A				
220~230V - 1 or 3AC						
11220331	SCA06 B 05P0 D2	4/5	B	50°C	Yes	Price upon request
220~230V - 3AC						
11400269	SCA06 C 08P0 T2	8	C	50°C	Yes	Price upon request
11854804	SCA06 D 16P0 T2	16	D	50°C	Yes	
11542251	SCA06 D 24P0 T2	24	D	50°C	Yes	
380~480V - 3AC						
12546052	SCA06 E 30P0 T4	30	E	50°C	Yes	Price upon request

SCA06 - RFI Filter - 220~230V & 380~480V

220~230V - 1 or 3AC						
11400157	SCA06 B 05P0 D2 C3	4/5	B	50°C	Yes	Price upon request
220~230V - 3AC						
11400272	SCA06 C 08P0 T2 C3	8	C	50°C	Yes	Price upon request
11854848	SCA06 D 16P0 T2 C3	16	D	50°C	Yes	
11542253	SCA06 D 24P0 T2 C3	24	D	50°C	Yes	
380~480V - 3AC						
11577359	SCA06 C 05P3 T4 C3	5.3	C	50°C	Yes	Price upon request
11577378	SCA06 D 14P0 T4 C3	14	D	50°C	Yes	
12546054	SCA06 E 30P0 T4 C3	30	E	50°C	Yes	

SCA06 - Standard with 24Vdc Internal Power Supply- 220~230V & 380~480V

220~230V - 1 or 3AC						
11854472	SCA06 B 05P0 D2 W2	4/5	B	50°C	Yes	Price upon request
220~230V - 3AC						
11854799	SCA06 C 08P0 T2 W2	8	C	50°C	Yes	Price upon request
11854851	SCA06 D 16P0 T2 W2	16	D	50°C	Yes	
11854857	SCA06 D 24P0 T2 W2	24	D	50°C	Yes	
380~480V - 3AC						
12546148	SCA06 E 30P0 T4 W2	30	E	50°C	Yes	Price upon request

SCA06 - RFI Filter with 24 Vdc Internal Power Supply - 220~230V & 380~480V

220~230V - 1 or 3AC						
11854455	SCA06 B 05P0 D2 C3 W2	4/5	B	50°C	Yes	Price upon request
220~230V - 3AC						
11854802	SCA06 C 08P0 T2 C3 W2	8	C	50°C	Yes	Price upon request
11854854	SCA06 D 16P0 T2 C3 W2	16	D	50°C	Yes	
11854871	SCA06 D 24P0 T2 C3 W2	24	D	50°C	Yes	
380~480V - 3AC						
11944503	SCA06 C 05P3 T4 C3 W2	5.3	C	50°C	Yes	Price upon request
11944541	SCA06 D 14P0 T4 C3 W2	14	D	50°C	Yes	
12546056	SCA06 E 30P0 T4 C3 W2	30	E	50°C	Yes	

SCA06 - RFI Filter and Safety Stop - 220~230V & 380~480V

220~230V - 1 or 3AC						
12820465	SCA06 B 05P0 D2 C3 Y1 P6	4/5	B	50°C	Yes	Price upon request
220~230V - 3AC						
12820531	SCA06 C 08P0 T2 C3 Y1 P6	8	C	50°C	Yes	Price upon request
12820534	SCA06 D 16P0 T2 C3 Y1 P6	16	D	50°C	Yes	
12820537	SCA06 D 24P0 T2 C3 Y1 P6	24	D	50°C	Yes	
380~480V - 3AC						
12820569	SCA06 C 05P3 T4 C3 Y1 P6	5.3	C	50°C	Yes	Price upon request
12820572	SCA06 D 14P0 T4 C3 Y1 P6	14	D	50°C	Yes	

(1) Maximum ambient temperature around the servo drive

Servo Drives

SCA06 - Accessories

Material Number	Part Number	Description	List Price
Expansion Modules			
11330218	EI01	Digital expansion module: 12 inputs (24Vdc - PNP/NPN) + 6 outputs (3 relays + 3 transistors)	Price upon request
11330354	EAN1	Analog Expansion Module: 1 analog input (-10/+10Vdc - 14bits) + 1 encoder simulator output (5...30Vdc) + 3 digital inputs (24Vdc - PNP/NPN) + 1 transistor output	
12710011	EAN2	Analog Expansion Module: 2 analog outputs(-10/+10Vdc - 12bits)	
Encoder Modules			
11842413	EEN1	Encoder expansion module: 1 encoder input with 3 differential channels (5...24 Vdc)	Price upon request
11849417	EEN2	Encoder expansion module: 2 encoder inputs with 3 differential channels each + repeater (5...24 Vdc)	
12154765	EES1	HyperFace DSL encoder input	
13544179	EES2	Encoder expansion module (1 input Endat1 encoder)	
Communication Modules			
11330271	ECO1-Modbus RTU	Communication expansion module: 1 RS232 port + 1 RS485 port	Price upon request
11842414	ECO3-PROFIBUS	Communication expansion module: 1 Profibus-DPV1 port	
12542210	ECO4-ETHERCAT	Communication expansion module: 1 Ethercat port	
13128939	ECO-5-ETHERNET IP	Communication expansion module: 2 Ethernet/IP ports	
13256758	ECO6-ETHERNET TCP/IP	Communication expansion module: 2 Ethernet TCP/IP ports	
13633696	ECO7-PROFINET	Communication expansion module: 2 Profinet/IO ports	
CANopen Remote Units			
11005259	RUW01-CN14DI10DO	CANopen remote unit - 14 digital inputs 24 V CC and 10 digital outputs 24 VCC	Price upon request
12532860	RUW01-CN13DI	CANopen remote unit - 13 digital inputs 24 V CC	
12118299	RUW02-CN7AI	CANopen remote unit - 7 analog inputs 0-10 V CC or 4-20 mA (24 bits)	
12708976	RUW03-CN8AO	CANopen remote unit - 8 analog outputs	
12118300	RUW04-CN7TH	CANopen remote unit - 7 termopar J/K inputs (24 bits)	
12118301	RUW05-CN4RTD	CANopen remote unit - 4 RTD inputs	
12118094	RUW06-CN2SG	CANopen remote unit - 2 analog inputs to load cell	

SCA06 - Braking Resistances RF-200

220V - Braking Resistor Module			
11015202	RF200-30-200	SCA06 model	SCA06 220-230 V
		Maximum Braking power (RMS)	200 W
		Energy	2200 J
		Maximum voltage	600 V
		Ambient temperature	50 °C
		Maximum temperature	400 °C
		Resistance	30 Ω
380/480V - Braking Resistor Module			
12295676	RF200-60-300	SCA06 model	SCA06 380-480 V
		Maximum Braking power (RMS)	300 W
		Energy	2200 J
		Maximum voltage	600 V
		Ambient temperature	50 °C
		Maximum temperature	400 °C
		Resistance	60 Ω

Servo Drives

SCA06 - Braking cables

Material Number	Part Number	Type	Lenght (m)	Section	Conector	Speciality	Installation	List Price
180° Straight Conector								
11465885	CF-1,5m-B	CF	1.5	6.2 mm (2 x 0.75 mm ²)	Straight 180°	Shielded	Fixed	Price upon request
11479565	CF-03m-B		3					
11479566	CF-06m-B		6					
11479564	CF-09m-B		9					
11479563	CF-12m-B		12					
11479630	CF-15m-B		15					
11679771	CF-03m-B-M		3	6.2 mm (2 x 1.5 mm ²)		Shielded	Movement	
11679769	CF-06m-B-M		6					
11679770	CF-09m-B-M		9					
11679768	CF-12m-B-M		12					
11679747	CF-15m-B-M	15						
90° Conector								
11480250	CF-03m-B-90	CF	3	6.2 mm (2 x 0.75 mm ²)	90°	Shielded	Fixed	Price upon request
11480238	CF-06m-B-90		6					
11480248	CF-09m-B-90		9					
11480239	CF-12m-B-90		12					
11480237	CF-15m-B-90		15					
11679746	CF-03m-B-90-M		3	6.2 mm (2 x 1.5 mm ²)		Shielded	Movement	
11679745	CF-06m-B-90-M		6					
11679744	CF-09m-B-90-M		9					
11679743	CF-12m-B-90-M		12					
11679742	CF-15m-B-90-M		15					

SCA06 - Resolver Cables

180° Straight Conector								
11084682	CR-1,5m-B-M	CR	1.5	8.3 mm (8 - 6 x 0.2 mm ² + 2 x 0.5 mm ²)	Straight 180°	Shielded	Movement	Price upon request
10411727	CR-03m-B-M		3					
10411743	CR-04m-B-M		4					
10411653	CR-06m-B-M		6					
10411728	CR-09m-B-M		9					
10411655	CR-12m-B-M		12					
10411729	CR-15m-B-M		15					
90° Conector								
10191063	CR-1,5m-B-90-M	CR	1.5	8.3 mm (8 - 6 x 0.2 mm ² + 2 x 0.5 mm ²)	90°	Shielded	Movement	Price upon request
10190984	CR-03m-B-90-M		3					
10190985	CR-06m-B-90-M		6					
10691565	CR-09m-B-90-M		9					
10190986	CR-12m-B-90-M		12					
10190987	CR-15m-B-90-M		15					

SCA06 - Encoder Simulation Cables

Encoder Simulation								
10191044	CSE-02M	-	2	8.3 mm (8 - 6 x 0.2 mm ² , 2 x 0.5 mm ²)	DB9	Shielded (máx (r)= 33 mm)	Fixed	Price upon request

SCA06 - Power Cables

Material Number	Part Number	Type	Lenght (m)	Section	Conector	Speciality	Installation	List Price
180° Straight Conector								
11457326	CP-1,5m-4x0,75-B-SCA06	CP	1.5	7 mm (4 x 0.75 mm ²)	Straight 180°	Shielded	Fixed	Price upon request
11278436	CP-03m-4x0,75-B-SCA06		3					
11278499	CP-06m-4x0,75-B-SCA06		6					
11278500	CP-09m-4x0,75-B-SCA06		9					
11278502	CP-12m-4x0,75-B-SCA06		12					
11278504	CP-15m-4x0,75-B-SCA06		15					
11647391	CP-03m-4x1,5-B-SCA06		3	8.2 mm (4 x 1.5 mm ²)				
11647393	CP-06m-4x1,5-B-SCA06		6					
11647394	CP-09m-4x1,5-B-SCA06		9					
11647395	CP-12m-4x1,5-B-SCA06		12					
11647396	CP-15m-4x1,5-B-SCA06		15					
12872401	CP-1,5m-4x2,5-B-SCA06		1.5	9.9 mm (4 x 2.5 mm ²)				
12872402	CP-03m-4x2,5-B-SCA06		3					
12872404	CP-06m-4x2,5-B-SCA06		6					
12872405	CP-09m-4x2,5-B-SCA06		9					
12872407	CP-12m-4x2,5-B-SCA06		12					
12872508	CP-15m-4x2,5-B-SCA06		15					
11644729	CP-03m-4x4,0-B-SCA06		3	11.6 mm (4 x 4.0 mm ²)				
11644730	CP-06m-4x4,0-B-SCA06		6					
11644731	CP-09m-4x4,0-B-SCA06		9					
11644732	CP-12m-4x4,0-B-SCA06		12					
11644734	CP-15m-4x4,0-B-SCA06		15					
10233743	CP-03m-4x6,0-B-SCA06		3	11.6 mm (4 x 6.0 mm ²)				
10191041	CP-06m-4 x6,0-B-SCA06		6					
10918857	CP-09m-4x6,0-B-SCA06		9					
10918858	CP-12m-4x6,0-B-SCA06		12					
10918859	CP-15m-4x6,0 -B-SCA06		15					
11679704	CP-03m-4x1,5-B-M-SCA06		3	9.1 mm (4 x 1.5 mm ²)			Movement	
11679705	CP-06m-4x1,5-B-M-SCA06		6					
11679706	CP-09m-4x1,5-B-M-SCA06		9					
11679707	CP-12m-4x1,5-B-M-SCA06		12					
11679728	CP-15m-4x1,5-B-M-SCA06		15					
11849416	CP-20m-4x1,5-B-M-SCA06		20					
12872727	CP-03m-4x2,5-B-M-SCA06	3	10.6 mm (4 x 2.5 mm ²)					
12872788	CP-06m-4x2,5-B-M-SCA06	6						
12872789	CP-09m-4x2,5-B-M-SCA06	9						
12872792	CP-12m-4x2,5-B-M-SCA06	12						
12872793	CP-15m-4x2,5-B-M-SCA06	15						
11679730	CP-03m-4x4,0-B-M-SCA06	3	11,9 mm (4 x 4,0 mm ²)					
11679729	CP-06m-4x4,0-B-M-SCA06	6						
11679732	CP-09m-4x4,0-B-M-SCA06	9						
11679733	CP-12m-4x4,0-B-M-SCA06	12						
11679734	CP-15m-4x4,0-B-M-SCA06	15						

Servo Drives

SCA06 - Power Cables

Material Number	Part Number	Type	Lenght (m)	Section	Conector	Speciality	Installation	List Price	
90° Connector									
11278507	CP-03m-4x0,75-B-90-SCA06	CP	3	7 mm (4 x 0.75 mm ²)	90°	Shielded	Fixed	Price upon request	
11278558	CP-06m-4x0,75-B-90-SCA06		6						
11278559	CP-09m-4x0,75-B-90-SCA06		9						
11278560	CP-12m-4x0,75-B-90-SCA06		12						
11278561	CP-15m-4x0,75-B-90-SCA06		15						
11647482	CP-03m-4x1,5-B-90-SCA06		3	8.2 mm (4 x 1.5 mm ²)					
11647485	CP-06m-4x1,5-B-90-SCA06		6						
11647484	CP-09m-4x1,5-B-90-SCA06		9						
11647486	CP-12m-4x1,5-B-90-SCA06		12						
11647487	CP-15m-4x1,5-B-90-SCA06		15						
12872513	CP-1,5m-4x2,5-B-90-SCA06		1.5	9.9 mm (4 x 2.5 mm ²)					
12872514	CP-03m-4x2,5-B-90-SCA06		3						
12872516	CP-06m-4x2,5-B-90-SCA06		6						
12872548	CP-09m-4x2,5-B-90-SCA06		9						
12872549	CP-12m-4x2,5-B-90-SCA06		12						
12872550	CP-15m-4x2,5-B-90-SCA06		15						
11644733	CP-03m-4x4,0-B-90-SCA06		3	11.6 mm (4 x 4.0 mm ²)					
11644735	CP-06m-4x4,0-B-90-SCA06		6						
11644736	CP-09m-4x4,0-B-90-SCA06		9						
11644737	CP-12m-4x4,0-B-90-SCA06		12						
11644738	CP-15m-4x4,0-B-90-SCA06		15						
10558009	CP-03m-4x6,0-B-90-SCA06		3	14.2 mm (4 x 6.0 mm ²)					
10558010	CP-06m-4x6,0-B-90-SCA06		6						
10558011	CP-09m-4x6,0-B-90-SCA06		9						
10558012	CP-12m-4x6,0-B-90-SCA06		12						
10558013	CP-15m-4x6,0-B-90-SCA06		15						
11680510	CP-03m-4x1,5-B-90-M-SCA06		3	9.1 mm (4 x 1.5 mm ²)					Movement
11679736	CP-06m-4x1,5-B-90-M-SCA06		6						
11679737	CP-09m-4x1,5-B-90-M-SCA06		9						
11679778	CP-12m-4x1,5-B-90-M-SCA06		12						
11679779	CP-15m-4x1,5-B-90-M-SCA06		15						
11806403	CP-20m-4x1,5-B-90-M-SCA06		20						
12872795	CP-03m-4x2,5-B-90-M-SCA06		3	10.6 mm (4 x 2.5 mm ²)					
12872796	CP-06m-4x2,5-B-90-M-SCA06		6						
12872797	CP-09m-4x2,5-B-90-M-SCA06		9						
12872808	CP-12m-4x2,5-B-90-M-SCA06		12						
12872810	CP-15m-4x2,5-B-90-M-SCA06		15						
11679781	CP-03m-4x4,0-B-90-M-SCA06		3	10.6 mm (4 x 4.0 mm ²)					
11679782	CP-06m-4x4,0-B-90-M-SCA06		6						
11679774	CP-09m-4x4,0-B-90-M-SCA06		9						
11679773	CP-12m-4x4,0-B-90-M-SCA06		12						
11679772	CP-15m-4x4,0-B-90-M-SCA06		15						

SWA Servo Motor

The SWA servo motors are electrical machines (protection degree IP65) without ventilation. The servo motors have flange and can be installed on the horizontal position (Mounting B5 without feet, fixed by the flange), V1 (without feet, fixed by the flange down) and V3 (without feet, fixed by the flange up). All the SWA servo motors are supplied with "resolver" or HyperFace DSL encoder for feedback, thermistors in the stator to protect against overtemperature and retainer on the shaft to seal oil penetration.



Certifications:



Technical Specifications:

- Protection degree IP65 (servo motor with brake has protection degree IP54)
- Class F insulation
- Resolver or HyperFace DSL feedback
- Mounting: B5 (without feet, fixed by the flange)
 - V1 (without feet, fixed by the flange down)
 - V3 (without feet, fixed by the flange up)
- Thermal protector (PTC)

- Shaft material: STEEL SAE 1045
- Rare-earth magnets (Neodymium-Iron-Boron)
- Bearings with permanent lubrication
- Retainer for shaft seal
- Maximum operating temperature in permanent duty: $\Delta T = 100\text{ }^{\circ}\text{C}$

Technical Features:

- Sine-wave counter-electromotive force
- Smooth and uniform rotation at all speeds
- Low noise and vibration
- Wide speed range with constant torque
- Low maintenance (brushless servo motors)
- High overload capacity
- Media inertia
- Quick dynamic response

Optional:

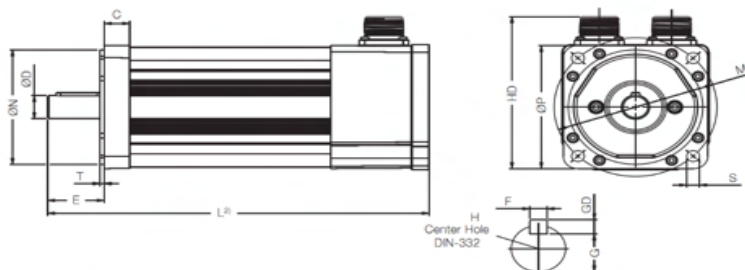
- Electromagnetic brake
- Other electrical/mechanical special features, on request

SWA Servomotor

Product and Serie	Servo Motor Coding				Options
	Frame	Voltage	Torque (Nm)	Speed	
SWA	56	2	2.5	30	F
SWA	40	2 = 230V			
	56	4 = 400V			
	71	0.8			
		1.6			
		2.5			
		2.6			
		3.6			
		3.8			
		4			
		5.5			
		6.1			
		6.5			
		7			
		8			
		9.3			
		13			
		15			
		19			
		22			
		25			
	34				
	40				
	20 = 2000 rpm				
	30 = 3000 rpm				
	60 = 6000 rpm				
	Blank = Without optionals				
	F = Electromagnetic brake				
	E = Incremental Encoder				
	U = Electrical special feature (winding)				
	M = Mechanical particularity (flange, shaft)				
	DS20-C9 = Encoder Hiperface DSL				

Dimensions and Weight (without package)

Frame	HD	ØP	Flange					Shaft end					
			ØM	ØN	ØS	C	T	ØD	E mm (in)	F	G mm (in)	GD mm (in)	H
40	110 mm 4.33 in	80 mm 3.15 in	95	50j6	6.5	14	2	14j6	29.5 (1.16)	5n9	11 (0.43)	5 (0.2)	M5x1x12
56	127 mm 5 in	102 mm 4.02 in	115	95j6	9	18	3	19j6	40 (1.57)	6n9	15.5 (0.61)	6 (0.24)	M6x1x16
71	166 mm 6.54 in	142 mm 5.59 in	165	130j6	11	25	3.5	24j6	50 (1.97)	8n9	20 (0.79)	7 (0.28)	M8x1.25x19
								32j6 1)	57 1)	10n9 1)	27 1)	8 1)	M8x1.25x19



- (1) Valid only for SWA-71-40-20 and SWA-71-34-30.
- (2) "L" can be found on the specification pages of servomotor

Servo Motors

SWA - With Resolver and Without Electromagnetic Brake - 220/230V

Material Number	Part Number	Speed (rpm)	Stall Torque Mo (Nm)	Stall Current Io (Arms)	Rated Power (kW)	Weight (kg)	Inertia x 10 ⁻³ (kg.m ²)	Length "L" mm (in)	SCA06 Recommended	Recommended Cables			List Price
										Power Cables	Resolver Cables	Braking Cable 1)	
10362947	SWA 562-2,5-20	2000	2.5	2.5	0.36	4.6	0.22	249.7 (9.83)	SCA06 B 05P0 D2	CP-... m-4x0,75-B	CR-...m	Price upon request	
10362948	SWA 562-3,8-20		3.8	3.8	0.70	5.6	0.31	269.7 (10.62)					
10362949	SWA 562-6,1-20		6.1	5.2	1.10	7.5	0.50	309.7 (12.19)	SCA06 C 08P0 T2				
10362950	SWA 562-8,0-20		8.0	6.5	1.32	9.3	0.68	349.7 (13.77)					
10362951	SWA 712-9,3-20		9.3	8.0	1.60	12.0	1.63	274.5 (10.81)	SCA06 D 16P0 T2				
10362952	SWA 712-13-20		13.0	11.8	2.30	15.0	2.35	304.5 (11.99)					
10362953	SWA 712-15-20		15.0	13.0	2.50	17.0	3.06	334.5 (13.17)					
10019957	SWA 712-19-20		19.0	15.1	2.90	20.0	3.78	364.5 (14.35)	SCA06 D 24P0 T2				
10362955	SWA 712-22-20		22.0	18.5	3.40	22.0	4.50	394.5 (15.53)					
10363008	SWA 712-25-20		25.0	21.5	3.40	27.0	5.94	454.5 (17.89)	CP-...m-4x4,0-B				
10967968	SWA 402-0,8-30		3000	0.8	1.0	0.20	2.0	0.04	195.2 (7.69)				SCA06 B 05P0 D2
10638981	SWA 402-1,6-30	1.6		2.0	0.45	2.8	0.08	215.2 (8.47)					
10642826	SWA 402-2,6-30	2.6		3.2	0.70	3.5	0.12	235.2 (9.26)					
10362937	SWA 562-2,5-30	2.5		3.8	0.66	4.6	0.22	249.7 (9.83)	SCA06 C 08P0 T2				
10362938	SWA 562-4,0-30	4.0		5.7	0.88	5.6	0.31	269.7 (10.62)					
10362939	SWA 562-6,1-30	6.1		8.5	1.30	7.5	0.50	309.7 (12.19)	CP-...m-4x1,5-B				
10362940	SWA 562-7,0-30	7.0		9.0	1.50	9.3	0.68	349.7 (13.77)	SCA06 D 16P0 T2				
10362941	SWA 712-9,3-30	9.3		12.0	2.05	12.0	1.63	274.5 (10.81)					
10362942	SWA 712-13-30	13.0		18.0	2.85	15.0	2.35	304.5 (11.99)	SCA06 D 24P0 T2				
10362943	SWA 712-15-30	15.0		20.0	3.30	17.0	3.06	334.5 (13.17)					
10362944	SWA 712-19-30	19.0		23.0	4.20	20.0	3.78	364.5 (14.35)					
10744079	SWA 402-1,6-60	6000	1.6	4.0	0.70	2.8	0.08	215.2 (8.47)	SCA06 B 05P0 D2	CP-...m-4x0,75-B	CR-...m	Price upon request	
10639642	SWA 402-2,6-60		2.6	6.2	1.13	3.5	0.12	235.2 (9.26)	SCA06 C 08P0 T2				
10193038	SWA 562-2,5-60		2.5	7.5	1.13	4.6	0.22	249.7 (9.83)		SCA06 D 16P0 T2			
10639708	SWA 562-3,6-60		3.6	10.3	1.60	5.6	0.31	269.7 (10.62)					
10639715	SWA 562-5,5-60		5.5	15.5	2.40	7.5	0.50	309.7 (12.19)	CP-...m-4x2,5-B				
10362946	SWA 562-6,5-60		6.5	16.3	2.50	9.3	0.68	349.7 (13.77)	SCA06 D 24P0 T2				

(1) For braking is necessary an 24Vcc power supply: 0,48 A for SWA40, 0,84 A for SWA56 and 1,05 A for SWA71.

(2) Braking torque is: 2,6 N.m for frame 40, 6 N.m for frame 56, y 12 N.m for frame 71.

Servo Motors

SWA - With Resolver and Electromagnetic Brake - 220/230V

Material Number	Part Number	Speed (rpm)	Stall Torque Mo (Nm)	Stall Current Io (Arms)	Rated Power (kW)	Weight (kg)	Inertia x 10 ⁻³ (kg.m ²)	Length "L" mm (in)	SCA06 Recommended	Recommended Cables			List Price
										Power Cables	Resolver Cables	Braking Cable 1)	
10156477	SWA 562-2,5-20-F	2000	2.5	2.5	0.36	6.5	0.35	323.3 (12.73)	SCA06 B 05P0 D2	CR-...m	CF-...m	Price upon request	
10156478	SWA 562-3,8-20-F		3.8	3.8	0.70	7.5	0.44	343.2 (13.51)					
10147676	SWA 562-6,1-20-F		6.1	5.2	1.10	9.4	0.63	383.2 (15.09)	SCA06 C 08P0 T2				
10639746	SWA 562-8,0-20-F		8.0	6.5	1.32	11.2	0.81	423.2 (16.66)					
10147677	SWA 712-9,3-20-F		9.3	8.0	1.60	16.1	2.10	370.8 (14.6)	SCA06 D 16P0 T2				
10639786	SWA 712-13-20-F		13.0	11.8	2.30	19.1	2.84	400.8 (15.78)					
10639830	SWA 712-15-20-F		15.0	13.0	2.50	21.1	3.55	430.8 (16.96)	SCA06 D 24P0 T2				
10639833	SWA 712-19-20-F		19.0	15.1	2.90	24.1	4.27	460.8 (18.14)					
10142899	SWA 712-22-20-F		22.0	18.5	3.40	26.1	4.99	490.8 (19.32)	SCA06 D 24P0 T2				
10639835	SWA 712-25-20-F		25.0	21.5	3.40	31.1	6.43	550.8 (21.69)					
11794499	SWA 402-0,8-30-F	3000	0.8	1.0	0.20	2.9	0.16	242.2 (9.54)	SCA06 B 05P0 D2	CR-...m	CF-...m	Price upon request	
11794500	SWA 402-1,6-30-F		1.6	2.0	0.45	3.7	0.20	262.2 (10.32)					
11794501	SWA 402-2,6-30-F		2.6	3.2	0.70	4.4	0.24	282.2 (11.11)	SCA06 C 08P0 T2				
10016398	SWA 562-2,5-30-F		2.5	3.8	0.66	6.5	0.35	323.3 (12.73)					
10639875	SWA 562-4,0-30-F		4.0	5.7	0.88	7.5	0.44	343.2 (13.51)	SCA06 D 16P0 T2				
10016399	SWA 562-6,1-30-F		6.1	8.5	1.30	9.4	0.63	383.2 (15.09)					
10639918	SWA 562-7,0-30-F		7.0	9.0	1.50	11.2	0.81	423.2 (16.66)	SCA06 D 24P0 T2				
10156482	SWA 712-9,3-30-F		9.3	12.0	2.05	16.1	2.10	370.8 (14.6)					
10360673	SWA 712-13-30-F		13.0	18.0	2.85	19.1	2.84	400.8 (15.78)	SCA06 D 24P0 T2				
10360674	SWA 712-15-30-F		15.0	20.0	3.30	21.1	3.55	430.8 (16.96)					
10476478	SWA 712-19-30-F	19.0	23.0	4.20	24.1	4.27	460.8 (18.14)	CP-...m-4x4,0-B					
11794502	SWA 402-1,6-60-F	6000	1.6	4.0	0.70	3.7	0.20	262.2 (10.32)	SCA06 B 05P0 D2	CR-...m	CF-...m	Price upon request	
11794503	SWA 402-2,6-60-F		2.6	6.2	1.13	4.4	0.24	282.2 (11.11)	SCA06 C 08P0 T2				
10016400	SWA 562-2,5-60-F		2.5	7.5	1.13	6.5	0.35	323.3 (12.73)					
10639955	SWA 562-3,6-60-F		3.6	10.3	1.60	7.5	0.44	343.2 (13.51)	SCA06 D 16P0 T2				
10639983	SWA 562-5,5-60-F		5.5	15.5	2.40	9.4	0.63	383.2 (15.09)					
10639984	SWA 562-6,5-60-F		6.5	16.3	2.50	11.2	0.81	423.2 (16.66)	SCA06 D 24P0 T2				

(1) For braking is necessary an 24Vcc power supply: 0,48 A for SWA40, 0,84 A for SWA56 and 1,05 A for SWA71.

(2) Braking torque is: 2,6 N.m for frame 40, 6 N.m for frame 56, y 12 N.m for frame 71.

SWA - With Resolver and Without Electromagnetic Brake - 380/480V

Material Number	Part Number	Speed (rpm)	Stall Torque Mo (Nm)	Stall Current Io (Arms)	Rated Power (kW)	Weight (kg)	Inertia x 10 ⁻⁵ (kg.m ²)	Length "L" mm (in)	SCA06 Recommended	Recommended Cables			List Price
										Power Cables	Resolver Cables	Braking Cable 1)	
11887087	SWA 564-6,1-20	2000	6.1	3.0	1.10	7.5	0.50	309.7 (12.19)	SCA06 C 05P3 T4 C3	CP-...m-4x0.75-B	CR-...m	-	Price upon request
11887161	SWA 564-8,0-20		8.0	4.0	1.32	9.3	0.68	349.7 (13.77)					
11887163	SWA 714-9,3-20		9.3	4.7	1.60	12.0	1.63	274.5 (10.81)					
11897853	SWA 714-13-20		13.0	6.6	2.30	15.0	2.35	304.5 (11.99)	SCA06 D 14P0 T4 C3				
11897854	SWA 714-15-20		15.0	7.6	2.50	17.0	3.07	334.5 (13.17)					
11897855	SWA 714-19-20		19.0	9.2	2.90	20.0	3.79	364.5 (14.35)					
11897856	SWA 714-22-20		22.0	11.9	3.40	22.0	4.50	394.5 (15.53)					
11897857	SWA 714-25-20		25.0	12.5	3.40	27.0	5.94	454.5 (17.89)	SCA06 E 30P0 T4				
10159669	SWA 714-40-20		40.0	19.0	5.00	32.0	7.40	521.5 (20.53)	SCA06 E 30P0 T4				
12722895	SWA564-2,5-30	3000	2.5	2.1	0.66	4.6	0.22	249.7 (9.83)	SCA06 C 05P3 T4 C3	CP-...m 4X0.75-B	CR-...m	-	Price upon request
11887164	SWA 564-4,0-30		4.0	3.2	0.88	5.6	0.31	269.7 (10.62)					
11887165	SWA 564-6,1-30		6.1	5.0	1.30	7.5	0.50	309.7 (12.19)					
11887166	SWA 564-7,0-30		7.0	5.1	1.50	9.3	0.68	349.7 (13.77)					
11897888	SWA 714-9,3-30		9.3	6.8	2.05	12.0	1.63	274.5 (10.81)	SCA06 D 14P0 T4 C3				
11897889	SWA 714-13-30		13.0	10.3	2.58	15.0	2.35	304.5 (11.99)					
11897890	SWA 714-15-30		15.0	11.3	3.30	17.0	3.07	334.5 (13.17)					
11897891	SWA 714-19-30		19.0	13.4	4.20	20.0	3.79	364.5 (14.35)					
12949509	SWA714-26,5-30		26.5	19.5	4.00	27.0	5.94	454 (17.87)	SCA06 E 30P0 T4				
10036452	SWA 714-34-30		34.0	25.0	4.30	2.7	5.94	461.5 (18.17)	SCA06 E 30P0 T4				
11887167	SWA 404-2,6-60	6000	2.6	3.8	1.13	3.5	0.12	235.2 (9.26)	SCA06 C 05P3 T4 C3	CP-...m-4x0.75-B	CR-...m	-	Price upon request
11887273	SWA 564-2,5-60		2.5	4.2	1.13	4.5	0.22	249.7 (9.83)					
11897892	SWA 564-3,6-60		3.6	5.7	1.60	5.6	0.31	269.7 (10.62)	SCA06 D 14P0 T4 C3				
11897894	SWA 564-5,5-60		5.5	8.8	2.40	7.5	0.50	309.7 (12.19)					
11897895	SWA 564-6,5-60		6.5	9.6	2.50	9.3	0.68	349.7 (13.77)					

(1) For braking is necessary an 24Vcc power supply: 0,48 A for SWA40, 0,84 A for SWA56 and 1,05 A for SWA71.

(2) Braking torque is: 2,6 N.m for frame 40, 6 N.m for frame 56, y 12 N.m for frame 71.

Servo Motors

SWA - With Resolver and Electromagnetic Brake - 380/480V

Material Number	Part Number	Speed (rpm)	Stall Torque Mo (Nm)	Stall Current Io (Arms)	Rated Power (kW)	Weight (kg)	Inertia x 10 ⁻³ (kg.m ²)	Length "L" mm (in)	SCA06 Recommended	Recommended Cables			List Price
										Power Cables	Resolver Cable	Braking Cable	
11887171	SWA 564-6,1-20-F	2000	6.1	3.0	1.10	9.4	0.63	383.2 (15.09)	SCA06 C 05P3 T4 C3	CP-...m-4x0.75-B	CR-...m	CF-...m	Price upon request
11887173	SWA 564-8,0-20-F		8.0	4.0	1.32	11.2	0.81	423.2 (16.66)					
11887175	SWA 714-9,3-20-F		9.3	4.7	1.60	16.1	2.10	370.8 (14.6)					
11897896	SWA 714-13-20-F		13.0	6.6	2.30	19.1	2.84	400.8 (15.78)	SCA06 D 14P0 T4 C3				
11897897	SWA 714-15-20-F		15.0	7.6	2.50	21.1	3.55	430.8 (16.96)					
11897929	SWA 714-19-20-F		19.0	9.2	2.90	24.1	4.27	460.8 (18.14)					
11897931	SWA 714-22-20-F		22.0	11.9	3.40	26.1	4.99	490.8 (19.32)					
11897933	SWA 714-25-20-F		25.0	12.5	3.40	31.1	6.43	550.8 (21.69)	SCA06 E 30P0 T4				
12075911	SWA 714-40-20-F		40.0	19.0	5.00	36.0	8.00	619 (24.37)					
12731994	SWA564-2,5-30-F	3000	2.5	2.1	0.66	6.5	0.22	323.3 (12.73)	SCA06 C 05P3 T4 C3	CP-...m 4X0.75-B	CR-...m	CF-...m	Price upon request
11887177	SWA 564-4,0-30-F		4.0	3.2	0.88	7.5	0.44	343.2 (13.51)					
11887180	SWA 564-6,1-30-F		6.1	5.0	1.30	9.4	0.63	383.2 (15.09)					
11887182	SWA 564-7,0-30-F		7.0	5.1	1.50	11.2	0.81	423.2 (16.66)					
11897934	SWA 714-9,3-30-F		9.3	6.8	2.05	16.1	2.10	370.8 (14.6)	SCA06 D 14P0 T4 C3				
11897935	SWA 714-13-30-F		13.0	10.3	2.58	19.1	2.84	400.8 (15.78)					
11897936	SWA 714-15-30-F		15.0	11.3	3.30	21.1	3.55	430.8 (16.96)					
11897937	SWA 714-19-30-F		19.0	13.4	4.20	24.1	4.27	460.8 (18.14)					
12949487	SWA 714-26,5-30-F		26.5	19.5	4.00	30.0	6.50	553 (21.77)	SCA06 E 30P0 T4				
12075909	SWA 714-34-30-F	34.0	25.0	4.30	30.0	6.50	559 (22.01)						
11980744	SWA 404-2,6-60-F	6000	2.6	3.8	1.13	4.4	0.24	282.2 (11.11)	SCA06 C 05P3 T4 C3	CP-...m-4x0.75-B	CR-...m	CF-...m	Price upon request
11887208	SWA 564-2,5-60-F		2.5	4.2	1.13	6.5	0.35	323.3 (12.73)					
11897948	SWA 564-3,6-60-F		3.6	5.7	1.60	7.5	0.44	343.2 (13.51)	SCA06 D 14P0 T4 C3				
11897949	SWA 564-5,5-60-F		5.5	8.8	2.40	9.4	0.63	383.2 (15.09)					
11897951	SWA 564-6,5-60-F		6.5	9.6	2.50	11.2	0.81	423.2 (16.66)					

(1) For braking is necessary an 24Vcc power supply: 0,48 A for SWA40, 0,84 A for SWA56 and 1,05 A for SWA71.

(2) Braking torque is: 2,6 N.m for frame 40, 6 N.m for frame 56, y 12 N.m for frame 71.

AFW is a Low Voltage Variable Frequency Drive (VFD) assembled in an indoor, freestanding, metallic panel, designed to drive AC low voltage motors. It is a standard solution that combines high efficiency, easy installation and operation in a optimized design, assembled in a self-supported NEMA 4/12 enclosure. This product includes protections, functions and accessories ready to be used by the customer. The panel characteristics presented herein refers to WEG standard variable speed drive panel AFW11. Any necessary change can be done according to customer requests.



Approvals:



Technical data:

- Three-phase power supply.
- Voltage range: 380-480Vac, 500-600Vca or 660-690Vac.
- Current / Power range: up to 1141Amps / 650kW (800HP).
- Control and fans power supply: 110/220VAC, 50/60Hz, w/ internal auxiliary transformer.
- Control mode: scalar (V/Hz), open loop vector sensorless and closed loop with encoder.
- Switching frequency: 2 ; 2.5; 5 ; 10 kHz (check VFD model).
- Overload capacity: Normal Duty (ND) = 110% for 60sec every 10min
Heavy Duty (HD) = 150% for 60sec every 10min
- Altitude: 0 to 1000m, up to 4000m with current derating (1% for every 100m above 1000m)
- Humidity: 5 to 90% non-condensing.
- Integrated brake chopper up to frame size D. Built-in option for frame size E.
- Built-in PID controller.
- Flash memory.
- Soft-PLC.

AFW11 panel arrangement:

- Panel assembled system.
- In accordance to UL/cUL
- VFD CFW11 unit.
- Standard input protection: Circuit Breaker or Disconnect switch + High Speed Fuses.
- Cooling system: Natural up to framesize A; Air Fans on door from framesize B to F; Air Fans on roof from framesize G to H.
- Protection Degree: NEMA 1, NEMA 4/12, NEMA 4X
- Environment Installation: Indoor / Non Aggressive.
- Panel Space Heater (If required).
- Fused Control Power transformer.
- Auxiliary Contactors.
- RFI/EMC filter (internal to VFD unit).
- DC-Link inductor (internal to VFD unit up to framesize G) / Input reactor (framesize H);
- Mounted on Door:
 - Graphic keypad with backlight and real-time clock supplied as standard.
 - USB Connection.
 - Local Start/Stop pushbuttons.
 - Emergency Stop category 0 pushbutton.
 - Ready, Running and Fault pilot lights.

Accessories (Select from CFW11 Accessories Pricelist)*:

- I/O Expansion Modules
- Temperature Transducers Modules
- Encoder Modules
- Communication Modules

Optionals:

- Changes in standard Input protection device (MCB/Disconnect Switch/Contactor).
- Input/Output Filters.
- Safety stop in accordance with EN-954-1, category III.
- Multimotor.

Special versions (Contact factory):

- Common DC Bus Version.
- Multi Pulse Rectifier.
- Regenerative / AFE.

Note: For different optionals than herein mentioned, please contact.

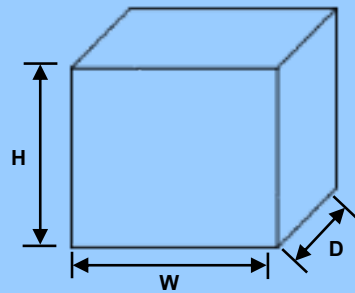
AFW11

Self Supported Variable Frequency Drive Panel

Product and Series	Model Identification			Product Version	Degree of Protection	Braking	Conducted Emission Level	Safety Stop	External power supply for control	End of Code
	Rated Current	No. of phases power supply	Rated Current							
AFW11	0601	T	4	S	-	-	-	-	-	Z
AFW11	0003 = 3.6...1141 = 1141	T = three-phase 4 = 380...480 Vac 5 = 500...600V 6 = 600...690V S = Standard O = with additional option Blank = Standard Blank = Standard (for 200~240V and 380~480V) DB = With braking chopper (for 200~240V and 380~480V) NB = Without braking chopper (for 500~600V and 500~690V) Blank = Standard FA = According to category 3 of IEC 61800-3 standard Blank = without STO function Y = with STO function Blank = without External Power supply board W = Control circuit is supplied through na external 24V power supply Z								

- Approximated panel dimensions and weight (without packaging):

Frame size	Height (mm)	Width (mm)	Depth (mm)	Weight (kg)
A	900	600	425	50
B				65
C	1100	600	425	100
D	1600	600	425	150
E	1700	600	650	200
F	2000	800	650	450
G	2500	1000	650	550
H	2500	1600	850	750



AFW11

Self Supported Variable Frequency Drive Panel

AFW11 - Standard - 380~480V

Part Number	Rated Current		Motor ⁽¹⁾		Frame Size	Max. Temp. ⁽²⁾	Brake Chopper	List Price
	ND	HD	ND	HD				
	A		HP					
460V - 3AC								
AFW11 0003 T4 SZ	3.6	3.6	2	2	A	45°C	Yes	Price upon request
AFW11 0005 T4 SZ	5	5	3	3	A	45°C	Yes	
AFW11 0007 T4 SZ	7	5.5	3	3	A	45°C	Yes	
AFW11 0010 T4 SZ	10	10	5	5	A	45°C	Yes	
AFW11 0013 T4 SZ	13.5	11	7.5	7.5	A	45°C	Yes	
AFW11 0017 T4 SZ	17	13.5	10	7.5	B	45°C	Yes	
AFW11 0024 T4 SZ	24	19	15	10	B	45°C	Yes	
AFW11 0031 T4 SZ	31	25	20	15	B	45°C	Yes	
AFW11 0038 T4 SZ	38	33	25	20	C	45°C	Yes	
AFW11 0045 T4 SZ	45	38	30	25	C	45°C	Yes	
AFW11 0058 T4 SZ	58.5	47	40	30	C	45°C	Yes	
AFW11 0070 T4 SZ	70.5	61	50	40	D	45°C	Yes	
AFW11 0088 T4 SZ	88	73	60	50	D	45°C	Yes	
AFW11 0105 T4 SZ	105	88	75	60	E	40°C	No	
AFW11 0142 T4 SZ	142	115	100	75	E	40°C	No	
AFW11 0180 T4 SZ	180	142	150	100	E	40°C	No	
AFW11 0211 T4 SZ	211	180	150	150	E	40°C	No	
AFW11 0242 T4 SZ	242	211	200	150	F	40°C	No	
AFW11 0312 T4 SZ	312	242	250	200	F	40°C	No	
AFW11 0370 T4 SZ	370	312	300	250	F	40°C	No	
AFW11 0477 T4 SZ	477	370	400	300	F	40°C	No	
AFW11 0515 T4 SZ	515	477	400	400	G	40°C	No	
AFW11 0601 T4 SZ	601	515	500	400	G	40°C	No	
AFW11 0720 T4 SZ	720	560	600	400	G	35°C	No	
AFW11 0760 T4 SZ	760	600	600	500	G	35°C	No	
AFW11 0795 T4 SZ	795	637	600	500	H	35°C	No	
AFW11 0877 T4 SZ	877	691	700	500	H	35°C	No	
AFW11 1062 T4 SZ	1062	855	900	700	H	35°C	No	
AFW11 1141 T4 SZ	1141	943	900	800	H	35°C	No	

(1) Motor power ratings are based on: WEG - 4 poles - UL508-C - 460V/60Hz

(2) Maximum surrounding air temperature without current derating

AFW11

Self Supported Variable Frequency Drive Panel

AFW11 - Standard - 500~600V

Part Number	Rated Current		Motor ⁽¹⁾		Frame Size	Max. Temp. ⁽²⁾	Brake Chopper	List Price
	ND	HD	ND	HD				
	A		HP					
575V - 3AC								
AFW11 0002 T5 SZ	2.9	2.7	2	2	D	45°C	Yes	Price upon request
AFW11 0004 T5 SZ	4.4	3.8	3	2	D	45°C	Yes	
AFW11 0007 T5 SZ	7	6.4	5	5	D	45°C	Yes	
AFW11 0010 T5 SZ	10	9	7.5	7.5	D	45°C	Yes	
AFW11 0012 T5 SZ	12	10	10	7.5	D	45°C	Yes	
AFW11 0017 T5 SZ	17	17	15	15	D	45°C	Yes	
AFW11 0022 T5 SZ	22	19	20	15	D	45°C	Yes	
AFW11 0027 T5 SZ	27	22	25	20	D	45°C	Yes	
AFW11 0032 T5 SZ	32	27	30	25	D	45°C	Yes	
AFW11 0044 T5 SZ	44	36	40	30	D	45°C	Yes	
AFW11 0053 T5 SZ	53	44	50	40	E	40°C	No	
AFW11 0063 T5 SZ	63	53	60	50	E	40°C	No	
AFW11 0080 T5 SZ	80	66	75	60	E	40°C	No	
AFW11 0107 T5 SZ	107	90	100	75	E	40°C	No	
AFW11 0125 T5 SZ	125	107	125	100	E	40°C	No	
AFW11 0150 T5 SZ	150	122	150	100	E	40°C	No	
AFW11 0170 T5 SZ	170	150	150	150	F	40°C	No	
AFW11 0216 T5 SZ	216	180	200	150	F	40°C	No	
AFW11 0289 T5 SZ	289	240	300	250	F	40°C	No	
AFW11 0315 T5 SZ	315	289	300	300	G	40°C	No	
AFW11 0365 T5 SZ	365	315	350	300	G	40°C	No	
AFW11 0435 T5 SZ	435	357	400	350	G	40°C	No	
AFW11 0472 T5 SZ	472	418	500	400	G	40°C	No	
AFW11 0584 T5 SZ	584	504	600	500	H	35°C	No	
AFW11 0625 T5 SZ	625	540	600	500	H	35°C	No	
AFW11 0758 T5 SZ	758	614	800	600	H	35°C	No	
AFW11 0804 T5 SZ	804	682	800	700	H	35°C	No	

Overload Capacity:

ND = Normal Duty: 150% during 3 seconds; 110% during 60 seconds.

HD = Heavy Duty: 200% during 3 seconds; 150% during 60 seconds.

(1) Motor power ratings are based on: WEG - 4 poles - UL508-C - 575V/60Hz

(2) Maximum surrounding air temperature without current derating

AFW11

Self Supported Variable Frequency Drive Panel

AFW11 - RFI filter & STO - 660~690V

Part Number	Rated Current		Motor ⁽¹⁾		Frame Size	Max. Temp. ⁽²⁾	Brake Chopper	List Price
	ND	HD	ND	HD				
	A		HP					
690V - 3AC								
AFW11 0002 T6 OYZ	2.9	2.7	2	2	D	45°C	Yes	Price upon request
AFW11 0004 T6 OYZ	4.2	3.8	3	3	D	45°C	Yes	
AFW11 0007 T6 OYZ	7	6.5	5	5	D	45°C	Yes	
AFW11 0010 T6 OYZ	8.5	7	7.5	5	D	45°C	Yes	
AFW11 0012 T6 OYZ	11	9	10	7.5	D	45°C	Yes	
AFW11 0017 T6 OYZ	15	13	15	10	D	45°C	Yes	
AFW11 0022 T6 OYZ	20	17	20	15	D	45°C	Yes	
AFW11 0027 T6 OYZ	24	20	25	20	D	45°C	Yes	
AFW11 0032 T6 OYZ	30	24	30	25	D	45°C	Yes	
AFW11 0044 T6 OYZ	35	30	40	30	D	45°C	Yes	
AFW11 0053 T6 OYZ	46	39	50	40	E	40°C	Yes	
AFW11 0063 T6 OYZ	54	46	60	50	E	40°C	Yes	
AFW11 0080 T6 OYZ	73	61	75	60	E	40°C	Yes	
AFW11 0107 T6 OYZ	100	85	100	100	E	40°C	Yes	
AFW11 0125 T6 OYZ	108	95	125	100	E	40°C	Yes	
AFW11 0150 T6 OYZ	130	108	150	125	E	40°C	Yes	
AFW11 0170 T6 OYZ	147	127	150	150	F	40°C	No	
AFW11 0216 T6 OYZ	195	165	200	200	F	40°C	No	
AFW11 0289 T6 OYZ	225	195	250	200	F	40°C	No	
AFW11 0315 T6 OYZ	259	225	300	250	G	40°C	No	
AFW11 0365 T6 OYZ	312	259	350	300	G	40°C	No	
AFW11 0435 T6 OYZ	365	312	400	350	G	40°C	No	
AFW11 0472 T6 OYZ	427	365	500	400	G	40°C	No	
AFW11 0584 T6 OYZ	478	410	600	500	H	35°C	No	
AFW11 0625 T6 OYZ	518	447	600	500	H	35°C	No	
AFW11 0758 T6 OYZ	628	518	800	600	H	35°C	No	
AFW11 0804 T6 OYZ	703	594	900	700	H	35°C	No	

Overload Capacity:

ND = Normal Duty: 150% during 3 seconds; 110% during 60 seconds.

HD = Heavy Duty: 200% during 3 seconds; 150% during 60 seconds.

(1) Motor power ratings are based on: WEG - 4 poles - UL508-C - 690V/60Hz

(2) Maximum surrounding air temperature without current derating

The AFW11M is a Low Voltage Variable Frequency Drive (VFD) assembled in an indoor, freestanding, metallic panel, designed to drive AC low voltage motors. It is a standard solution that uses CFW11M modular versions power arms converters, combining high efficiency, easy installation and operation in a optimized design, assembled in a self-supported IP42 or IP54 enclosure up to high power range values. This product includes protections, functions and accessories ready to be used by the customer. The panel characteristics presented herein refers to WEG standard variable frequency drive panel AFW11. Any necessary change can be done according to customer requests, for that matters contact factory since additional parts, personal and extra taxes may be applied.



Approvals:



Technical data:

- Three-phase power supply.
- Voltage range: 380-480Vac, 500-600Vca or 660-690Vac
- Current / Power range: up to 3012 Amps / 1850kW (2500HP) @ 440 Vac
up to 2356 Amps / 1850kW (2500HP) @ 575 Vac
up to 2085 Amps / 2000kW (2700HP) @ 690 Vac
- Control and fans power supply: 110/220VAC, 50/60Hz, w/ internal auxiliary transformer
- Control mode: scalar (V/Hz), open loop vector sensorless and closed loop with encoder.
- Switching frequency: 2.0 kHz
- Overload capacity: Normal Duty (ND) = 110% for 60sec every 10min
Heavy Duty (HD) = 150% for 60sec every 10min
- Altitude: 0 to 1000m, up to 4000m with current derating (1% for every 100m above 1000m)
- Humidity: 5 to 95% non-condensing.
- Built-in PID controller.
- Flash memory
- Soft-PLC

AFW11M panel arrangement:

- Panel assembled system.
- In accordance to IEC 61439-1/2.
- VFD CFW11M G2 unit.
- Standard input protection: Circuit Breaker + High Speed Fuses.
- Cooling system: Air (fans).
- Protection Degree: IP42/IP54.
- Environment Installation: Indoor / Non Aggressive.
- Finishing: Epoxy powder Gray RAL 7035.
- Panel Space Heater.
- Control Power transformer.
- Lighting Module.
- Auxiliary Contactors.
- Bottom cables in/out.
- RFI/EMC filter.
- Input reactor.
- Mounted on Door:
 - Graphic keypad with backlight and real-time clock supplied as standard.
 - USB Connection.
 - Local Start/Stop pushbuttons.
 - Emergency Stop category 0 pushbutton.
 - Blown Fuse, Running and Fault pilot lights.

Accessories (Select from CFW11 Accessories Pricelist)*:

- I/O Expansion Modules
- Temperature Transducers Modules
- Encoder Modules
- Communication Modules

(* The installation of the accessory and its wiring must be carried out by the customer.

Optionals (Contact factory):

- Changes in standard Input protection device (MCB/Disconnect Switch/Contactor).
- Input/Output Filters.
- Safety stop in accordance with EN-954-1, category III.
- Multimotor.

Special versions (Contact factory):

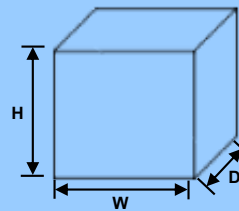
- Common / DC Bus Version.
- Multi Pulse Rectifier.
- Regenerative / AFE.
- Water cooled.

Note: For different optionals than herein mentioned, please contact factory.

Product and Series	Model Identification			Product version	Degree of Protection	Braking	Conducted Emission Level	Safety Stop	End of Code
	Rated Current	No. of phases power supply	Rated Voltage						
AFW11M G2	634	T	4	S	-	-	-	-	Z
AFW11M G2	0439 = 439...3012 = 3012	T = three-phase 4 = 380...480V 5 = 500...600V 6 = 660...690V S = Standard O = with additional option Blank = Standard Blank = Standard DB = With braking chopper (not included, contact factory) Blank = Standard Blank = without STO function Y = with STO function Z							

- Approximated panel dimensions and weight (without packaging):

Model	Rectifier Pulse	Height (mm)	Width (mm)	Depth (mm)	Weight (kg)
AFW11M G2 0439 T6 Z	6	2560	1400	850	1207
AFW11M G2 0496 T5 Z	6				1170
AFW11M G2 0634 T4 Z	6				1166
AFW11M G2 0834 T6 Z	6	2560	1400	850	1341
AFW11M G2 0942 T5 Z	6				1301
AFW11M G2 1205 T4 Z	6				1296
AFW11M G2 1251 T6 Z	6	2560	1600	850	1490
AFW11M G2 1414 T5 Z	6				1445
AFW11M G2 1807 T4 Z	6				1440
AFW11M G2 1668 T6 Z	12	2560	2800	850	2272
AFW11M G2 1885 T5 Z	12				2140
AFW11M G2 2409 T4 Z	12				2170
AFW11M G2 2085 T6 Z	12	2560	3000	850	2638
AFW11M G2 2356 T5 Z	12				2555
AFW11M G2 3012 T4 Z	12				2500



RECTIFIER UNIT UR11 (G2)	POWER UNIT UP11 G2	CONTROL UNIT UC11 G2

(mm)

AFW11M

Modular Self Supported Variable Frequency Drive Panel

AFW11M G2 - Complete Panel Solution

Reference	Rectifier Pulse	Rated Current		Motor ⁽¹⁾		Max. Temp. ⁽²⁾	List Price
		ND	HD	ND	HD		
		A		HP			
380~480V - 3AC							
AFW11M G2 0634 T4 Z	6	634	515	550	450	40°C	Price upon request
AFW11M G2 1205 T4 Z	6	1205	979	1000	800	40°C	
AFW11M G2 1807 T4 Z	6	1807	1468	1500	1200	40°C	
AFW11M G2 2409 T4 Z	12	2409	1957	2000	1600	40°C	
AFW11M G2 3012 T4 Z	12	3012	2446	2500	2000	40°C	
500~600V - 3AC							
AFW11M G2 0496 T5 Z	6	496	380	550	450	40°C	Price upon request
AFW11M G2 0942 T5 Z	6	942	722	1000	800	40°C	
AFW11M G2 1414 T5 Z	6	1414	1083	1500	1250	40°C	
AFW11M G2 1885 T5 Z	12	1885	1444	2000	1600	40°C	
AFW11M G2 2356 T5 Z	12	2356	1805	2500	2000	40°C	
660~690V - 3AC							
AFW11M G2 0439 T6 Z	6	439	340	600	400	40°C	Price upon request
AFW11M G2 0834 T6 Z	6	834	646	1100	800	40°C	
AFW11M G2 1251 T6 Z	6	1251	969	1500	1250	40°C	
AFW11M G2 1668 T6 Z	12	1668	1292	2200	1600	40°C	
AFW11M G2 2085 T6 Z	12	2085	1615	2800	2000	40°C	

AFW11M G2 - Main Parts

Reference	Description	Amount to Use														Gross Price	
		AFW11M G2 0634 T4	AFW11M G2 1205 T4	AFW11M G2 1807 T4	AFW11M G2 2409 T4	AFW11M G2 3012 T4	AFW11M G2 0496 T5	AFW11M G2 0942 T5	AFW11M G2 1414 T5	AFW11M G2 1885 T5	AFW11M G2 2356 T5	AFW11M G2 0439 T6	AFW11M G2 0834 T6	AFW11M G2 1251 T6	AFW11M G2 1668 T6		AFW11M G2 2085 T6
16996466	POWER UNIT UP11-01 G2	-	-	-	-	-	1	2	3	4	5	1	2	3	4	5	Price upon request
16996459	POWER UNIT UP11-02 G2	1	2	3	4	5	-	-	-	-	-	-	-	-	-	-	
15229400	RECTIFIER UNIT UR11G2 1807 T4 SZ	1 ⁽⁶⁾	1 ⁽⁶⁾	1 ⁽⁶⁾	2	2	-	-	-	-	-	-	-	-	-	-	
15229407	RECTIFIER UNIT UR11G2 1414 T5 SZ	-	-	-	-	-	1 ⁽⁶⁾	1 ⁽⁶⁾	1 ⁽⁶⁾	2	2	-	-	-	-	-	
14984856	UNIDAD RECTIF. UR11G2 1414 T6 SZ	-	-	-	-	-	-	-	-	-	-	1 ⁽⁶⁾	1 ⁽⁶⁾	1 ⁽⁶⁾	2	2	
14679555	CONTROL UNIT UC11 G2 ⁽³⁾	1	1	1	1	1	1	1	1	1	1	1	1	1	1	1	
14679557	CONTROL UNIT UC11 G2 Y (STO) ⁽³⁾	1	1	1	1	1	1	1	1	1	1	1	1	1	1	1	
13555095	FIBER CABLE SET CFW11M G2-2,5M	1	2	-	2	-	1	2	-	2	-	1	2	-	2	-	
13555150	FIBER CABLE SET CFW11M G2-3,0M	-	-	1	1	3	-	-	1	1	3	-	-	1	1	3	
13555151	FIBER CABLE SET CFW11M G2-3,6M	-	-	2	1	2	-	-	2	1	2	-	-	2	1	2	
13353317	POWER UNIT RACK G2 (2 books)	1	1	-	2	1	1	1	-	2	1	1	1	-	2	1	
13353316	POWER UNIT RACK G2 (3 books)	-	-	1	-	1	-	-	1	-	1	-	-	1	-	1	
14857954	CORDAGE - 800A 190mm ⁽⁵⁾	1	2	3	4	5	1	2	3	4	5	1	2	3	4	5	
Under Request	LINE REACTOR 12 uH @ 1807,0 A	1 ⁽⁶⁾	1 ⁽⁶⁾	1 ⁽⁶⁾	2	2	-	-	-	-	-	-	-	-	-	-	
	LINE REACTOR 20 uH @ 1414,0 A	-	-	-	-	-	1 ⁽⁶⁾	1 ⁽⁶⁾	1 ⁽⁶⁾	2	2	-	-	-	-	-	
	LINE REACTOR 27 uH @ 1251,0 A	-	-	-	-	-	-	-	-	-	-	1 ⁽⁶⁾	1 ⁽⁶⁾	1 ⁽⁶⁾	2	2	
Accessories																	
10318145	POWER UNIT EXTRACTION CART ⁽⁴⁾															-	

(1) The motor powers are reference values; they are specified for WEG motors with 4 poles. The proper sizing must be done according to the rated current of the motors used.

(2) Maximum surrounding air temperature without current derating.

(3) There are two options for the control unit, one with Safety Stop (STO) function and one without STO. Choose just one of them.

(4) This extraction unit is an optional equipment used for an easier extract of the UR11 or the UP11 from the panel.

(5) Each package contains 2 pieces.

(6) This quantity is for 6 pulse configuration, it requires 2 units to make a 12 pulse configuration.

ASW900 is a Low Voltage Soft-Starter assembled in an indoor, freestanding, metallic panel, designed to start and stop AC low voltage motors. It is a standard solution that combines high efficiency, easy installation and operation in a optimized design, assembled in a self-supported NEMA 4/12 enclosure. This product includes protections, functions and accessories ready to be used by the customer. The panel characteristics presented herein refers to WEG standard soft starter panel ASW900. Any necessary change can be done according to customer requests.



Approvals*:



* check restrictions in Price List.

Technical data:

- Three-phase power supply.
- Voltage range: 220-575 V and 575-690 V
- Current range: up to 1400 Amps
- Control and fans power supply: 110/220VAC, 50/60Hz, w/ internal auxiliary transformer
- Control features: Current limitation; Voltage and Current Ramp Control; Torque control; Pump Control system;
- Overload capacity: 300% for 30 seconds, 10 Starts/hour (with ventilation kit) for frame sizes A through D
- Overload capacity: 300% for 30 seconds, 5 Starts/hour for frame size E through G
- Altitude: 0 to 1000m
 - From 1000 to 4000m with current reduction (1% for every 100m)
 - From 2000m up to 4000m with voltage reduction (1.1% for every 100m)
- Humidity: 5 to 90% non-condensing.
- Soft PLC
- Built-in By-pass

ASW900 panel arrangement:

- Panel assembled system.
- In accordance to UL/cUL.
- SSW900 unit.
- Standard input protection: Circuit Breaker or Disconnect Switch + High Speed Fuses.
- Cooling system: Air (Fans).
- Protection Degree: NEMA 1, NEMA 4/12, NEMA 4X;
- Environment Installation: Indoor / Non Aggressive;
- Panel Space Heater.(If required)
- Fused Control Power transformer.
- Auxiliary Contactors.
- Bottom cables in/out.
- Mounted on Door.
- Graphic keypad with backlight and real-time clock supplied as standard.
- USB Connection.
- Local Start/Stop pushbuttons;
- Emergency Stop category 0 pushbutton;
- Ready, Running and Fault pilot lights.

Accessories (Select from ASW900 Accessories Pricelist)*:

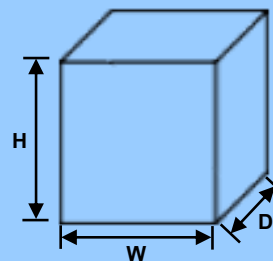
- PT100 temperature transducer module
- Communication Modules

Note: For different optionals than herein mentioned, please contact.

Product and Series	Model Identification			Control Voltage	Special hardware version	Special software version
	Rated Current	No. of phases power supply	Rated Current			
ASW900	0604	T	4	-	-	-
ASW900	0010 = 10...1400 = 1400	T = three-phase 5 = 220...575 V 6 = 380...690V Blank = Standard Blank = Standard version Blank = Standard				

- Approximated panel dimensions and weight (without packaging):

Frame size	Height (mm)	Width (mm)	Depth (mm)	Weight (kg)
A	900	600	325	37
B			425	41
C	1100	600	425	67
D	1300	600	425	93
E	2000	600	650	247
F	2000	800	650	683
G	2000	800	850	973



ASW900

Self Supported Soft Starter Panel

ASW900 - 220~575 V

Part Number	Rated Current		Motor ⁽¹⁾		Frame Size	Max. Temp. ⁽²⁾	List Price
	3 Wires	6 Wires ⁽³⁾	3 Wires	6 Wires ⁽³⁾			
	A		HP				
460V - 3AC							
ASW900 A 0010 T5	10	-	7.5	-	A	50°C	Price upon request
ASW900 A 0017 T5	17	-	15	-	A	50°C	
ASW900 A 0024 T5	24	-	20	-	A	50°C	
ASW900 A 0030 T5	30	-	25	-	A	50°C	
ASW900 B 0045 T5	45	-	40	-	B	50°C	
ASW900 B 0061 T5	61	-	60	-	B	50°C	
ASW900 B 0085 T5	85	-	75	-	B	50°C	
ASW900 B 0105 T5	105	-	100	-	B	50°C	
ASW900 C 0130 T5	130	225	125	200	C	50°C	
ASW900 C 0171 T5	171	296	150	300	C	50°C	
ASW900 C 0200 T5	200	346	200	350	C	50°C	
ASW900 D 0255 T5	255	442	250	400	D	50°C	
ASW900 D 0312 T5	312	540	300	500	D	50°C	
ASW900 D 0365 T5	365	632	350	600	D	50°C	
ASW900 D 0412 T5	412	714	400	700	D	50°C	
ASW900 E 0480 T5	480	831	500	800	E	35°C	
ASW900 E 0604 T5	604	1046	600	1100	E	35°C	
ASW900 E 0670 T5	670	1160	700	1100	E	35°C	
ASW900 F 0820 T5 (4)	820	1420	800	1350	F	35°C	
ASW900 F 0950 T5 (4)	950	1645	1000	1620	F	35°C	
ASW900 G 1100 T5 (4)	1100	1905	1100	2025	G	35°C	
ASW900 G 1400 T5 (4)	1400	2425	1350	2025	G	35°C	

(1) Motor power ratings are based on: WEG - 4 poles - UL508-C - 460V/60Hz

(2) Maximum surrounding air temperature without current derating

(3) Maximum motor current with 6 wires connection (inside delta)

(4) IEC 61439-1/2 tests and CE approval under development. Contact factory.

ASW900 - 380~690 V

Part Number	Rated Current		Motor ⁽¹⁾		Frame Size	Max. Temp. ⁽²⁾	List Price
	3 Wires	6 Wires ⁽³⁾	3 Wires	6 Wires ⁽³⁾			
	A		HP				
690V - 3AC							
ASW900 C 0130 T6	130	225	150	-	C	50°C	Price upon request
ASW900 C 0171 T6	171	296	200	-	C	50°C	
ASW900 C 0200 T6	200	346	250	-	C	50°C	
ASW900 D 0255 T6	255	442	300	-	D	50°C	
ASW900 D 0312 T6	312	540	350	-	D	50°C	
ASW900 D 0365 T6	365	632	400	-	D	50°C	
ASW900 D 0412 T6	412	714	500	-	D	50°C	
ASW900 E 0480 T6	480	831	600	-	E	35°C	
ASW900 E 0604 T6	604	1046	700	-	E	35°C	
ASW900 E 0670 T6	670	1160	800	-	E	35°C	
ASW900 F 0820 T6 (4)	820	1420	1000	-	F	35°C	
ASW900 F 0950 T6 (4)	950	1645	1100	-	F	35°C	
ASW900 G 1100 T6 (4)	1100	1905	1350	-	G	35°C	
ASW900 G 1400 T6 (4)	1400	2425	1620	-	G	35°C	

(1) Motor power ratings are based on: WEG - 4 poles - UL508-C - 690V/60Hz

(2) Maximum surrounding air temperature without current derating

(3) Maximum motor current with 6 wires connection (inside delta)

(4) IEC 61439-1/2 tests and CE approval under development. Contact factory.

The Regenerative Braking version is a bidirectional Variable Frequency Drive also known as AFE (Active Front End) or 4-quadrants inverter. This solution is recommended for applications with high inertia and continuous braking cycles like centrifuges, cranes, conveyors and mills. Recovering energy back to the power supply (regeneration), the AFW11 RB allows high braking torque levels and low input current harmonic distortion, improving system efficiency and energy saving.



Technical data:

- Three-phase power supply.
- Voltage range: 380-480Vac, 500-600Vac or 660-690Vac
- Control and fans power supply: 110/220VAC, 50/60Hz, w/ auxiliary transformer
- Current / Power range: up to 3012 Amps / 1850kW (2500HP) @ 380 - 480 Vac
up to 2356 Amps / 1850kW (2500HP) @ 500 - 600 Vac
up to 2085 Amps / 2000kW (2700HP) @ 660 - 690 Vac
- Control mode
- Switching frequency: 2kHz
- Overload capacity: Normal Duty (ND) = 110% for 60sec every 10min
Heavy D
- Degree of protection: IP42 or IP54
- Operating temperature: according to selection table
- Cooling : Air (Fans)
- Altitude: 0 to 1000m
up to 4000m with current derating (1% for every 100m above 1000m)
- Humidity: 5 to 90% non-condensing.
- Finishing : Epoxy powder Light Gray RAL 7035
- Circuit Breaker and High speed fuses
- Panel Space Heater;
- Lighting Module;
- Auxiliary Contactors;
- Soft PLC.
- Input LCL filter;
- Mounted on Door:
 - Graphic keypad with backlight and real-time clock supplied as standard.
 - USB Connection;
 - Local Start/Stop pushbuttons;
 - Emergency Stop category 0 pushbutton;
 - Ready and Fault pilot lights.

- I/O connections:

	Std	IOA-01	IOB-01	IOC-01	IOC-02	IOC-03	PLC11-01	PLC11-02
Digital inputs 4	6	2	2	8	8	8	9	4
Digital output 1	-	2	2	-	8	7	3	3
Relay outputs	3	-	-	4	-	-	3	1
Analog inputs	2	1	2	-	-	-	1	-
Analog outputs	2	2	*	-	-	-	2	-

(*) Module changes the standard CFW11 Analog output to isolated ports.

- Fieldbus:

RS232 WEGbus	RS485 WEGbus	Modbus RTU	Modbus TCP	Profibus DP	Profibus DPV1	Profinet	CANopen	DeviceNet	EtherNet/ IP	BACnet
N/A	N/A	RS485-01 or RS485-05 CAN/RS485-01 RS232-01 or RS232-05	MODBUS TCP-05	PROFDP-05	PROFIBUS DP-01	PROFINETIO-05	CAN/RS485-01 CAN-01	DEVICENET-05 CAN/RS485-01 CAN-01	ETHERNET/IP-05	RS485-01 CAN/RS485-01

Accessories:

- I/O Expansion Modules
- Temperature Transducers Modules (for PTC, PT100 and KTY)
- Encoder Modules
- Communication Modules

Built-in Optionals:

- Motorized Input Circuit breaker, Disconnect Switch/Contactor
- STO in accordance with EN-954-1, category III
- Load Reactor

Note: For different optionals than herein mentioned, please contact factory.

AFW11 RB

Regenerative Braking Variable Frequency Drive

Product and Series	Cooling	Model Identification			Product version	Degree of Protection	Braking	Conducted Emission Level	Safety	External power supply for control	End of Code
		Rated Current	No. of phases power supply	Rated Voltage							
AFW11	M G2	634	T	4	S	-	RB	-	-	-	Z
AFW11	Blank = Standard Air Cooled M G2 = Modular Air Cooled	From 38 up to 3012 Amps	T = three-phase								
			4 = 380...480V								
			5 = 500...600V								
			6 = 660...690V								
			S = Standard								
			O = with additional option								
			Blank = Standard								
			Blank = Standard								
			RB = With Regenerative Braking								
			Blank = Standard								
FA = According to category 3 of IEC 61800-3 standard											
Blank = without STO function											
Y = with STO function according to EN 954-1 / ISO 13849-1, category 3											
Blank = without External Power supply											
W = Control circuit is supplied through an external power supply											
Z											

AFW11 RB

Regenerative Braking Variable Frequency Drive

AFW11 RB - Regenerative Braking - 380~480V & 500~600V & 660~690V

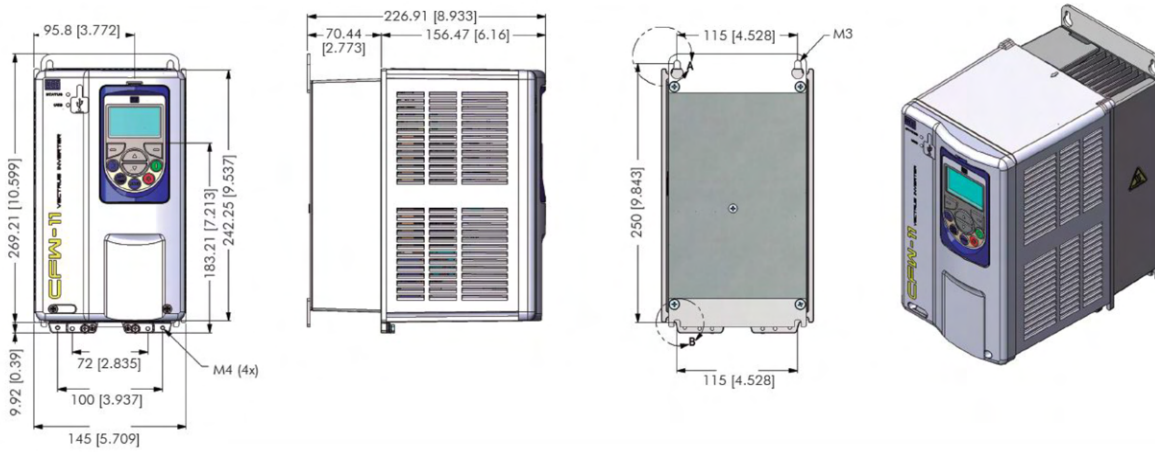
Part Number	Rated Current		Motor ⁽¹⁾		Max. Temp. (2)	Gross Price	
	ND	HD	ND	HD		USD	
	A		HP				
380~480V - 3AC							
AFW110017T4ORBZ	17	13.5	10	7.5	45°C	Price upon request	
AFW110031T4ORBZ	31	25	20	15	45°C		
AFW110058T4ORBZ	58.5	47	40	30	45°C		
AFW110088T4ORBZ	88	73	60	50	45°C		
AFW110105T4ORBZ	105	88	75	60	40°C		
AFW110142T4ORBZ	142	115	100	75	40°C		
AFW110180T4ORBZ	180	142	150	100	40°C		
AFW110211T4ORBZ	211	180	150	150	40°C		
AFW110242T4ORBZ	242	211	200	150	40°C		
AFW110312T4ORBZ	312	242	250	200	40°C		
AFW110370T4ORBZ	370	312	300	250	40°C		
AFW110477T4ORBZ	477	370	400	300	40°C		
AFW110515T4ORBZ	515	477	400	400	40°C		
AFW110601T4ORBZ	601	515	500	400	40°C		
AFW110720T4ORBZ	720	560	600	400	35°C		
AFW110760T4ORBZ	760	600	600	500	35°C		
AFW11M G2 1205 T4 ORBZ	1205	979	1000	800	40°C		
AFW11M G2 1807 T4 ORBZ	1807	1468	1500	1200	40°C		
AFW11M G2 2409 T4 ORBZ	2409	1957	2000	1600	40°C		
AFW11M G2 3012 T4 ORBZ	3012	2446	2500	2000	40°C		
500~600V - 3AC							
AFW11 0022 T6 ORBZ (3)	22	19	20	15	45°C	Price upon request	
AFW11 0044 T6 ORBZ (3)	44	36	40	30	45°C		
AFW11 0080 T6 ORBZ (3)	80	66	75	60	40°C		
AFW11 0150 T6 ORBZ (3)	150	122	150	100	40°C		
AFW11 0170 T6 ORBZ (3)	170	150	150	150	40°C		
AFW11 0216 T6 ORBZ (3)	216	180	200	150	40°C		
AFW11 0289 T6 ORBZ (3)	289	240	300	250	40°C		
AFW11 0315 T6 ORBZ (3)	315	289	300	300	40°C		
AFW11 0365 T6 ORBZ (3)	365	315	350	300	40°C		
AFW11 0435 T6 ORBZ (3)	435	357	400	350	35°C		
AFW11 0472 T6 ORBZ (3)	472	418	500	400	35°C		
AFW11M G2 0942 T5 ORBZ	942	722	1000	800	40°C		
AFW11M G2 1414 T5 ORBZ	1414	1083	1500	1250	40°C		
AFW11M G2 1885 T5 ORBZ	1885	1444	2000	1600	40°C		
AFW11M G2 2356 T5 ORBZ	2356	1805	2500	2000	40°C		
660~690V - 3AC							
AFW11 0022 T6 ORBZ	20	17	20	15	45°C		Price upon request
AFW11 0044 T6 ORBZ	35	30	40	30	45°C		
AFW11 0080 T6 ORBZ	73	61	75	60	40°C		
AFW11 0150 T6 ORBZ	130	108	150	125	40°C		
AFW11 0170 T6 ORBZ	147	127	150	150	40°C		
AFW11 0216 T6 ORBZ	195	165	200	200	40°C		
AFW11 0289 T6 ORBZ	259	195	300	250	40°C		
AFW11 0315 T6 ORBZ	259	225	300	250	40°C		
AFW11 0365 T6 ORBZ	312	259	350	300	40°C		
AFW11 0435 T6 ORBZ	365	312	400	350	35°C		
AFW11 0472 T6 ORBZ	427	365	500	400	35°C		
AFW11M G2 0834 T6 ORBZ	834	646	1100	800	40°C		
AFW11M G2 1251 T6 ORBZ	1251	969	1500	1250	40°C		
AFW11M G2 1668 T6 ORBZ	1668	1292	2200	1600	40°C		
AFW11M G2 2085 T6 ORBZ	2085	1615	2800	2000	40°C		

(1) The motor powers are reference values; they are specified for WEG motors with 4 poles. The proper sizing must be done according to the rated current of the motors used.

(2) Maximum surrounding air temperature without current derating

(3) These models uses the same T6 version drives, but fitted to T5 voltage level.

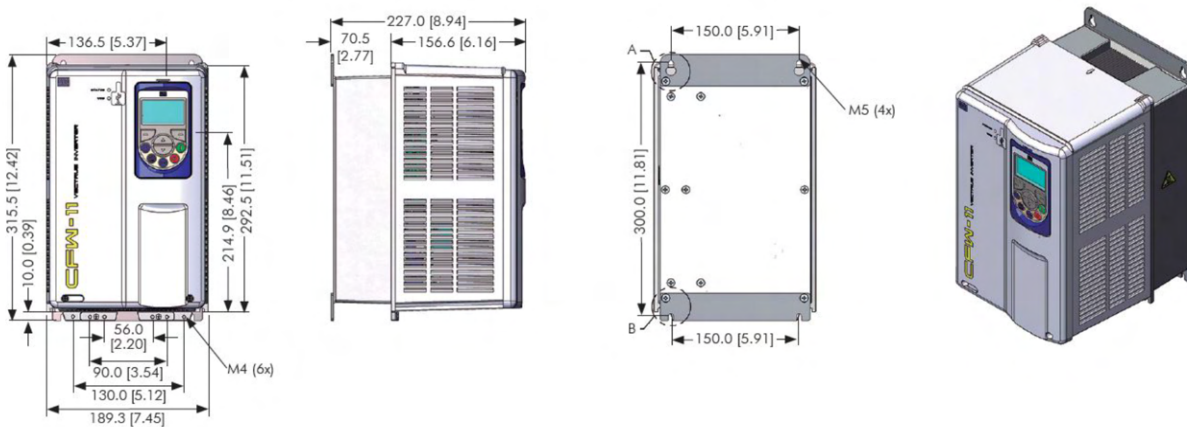
Frame Size A IP21



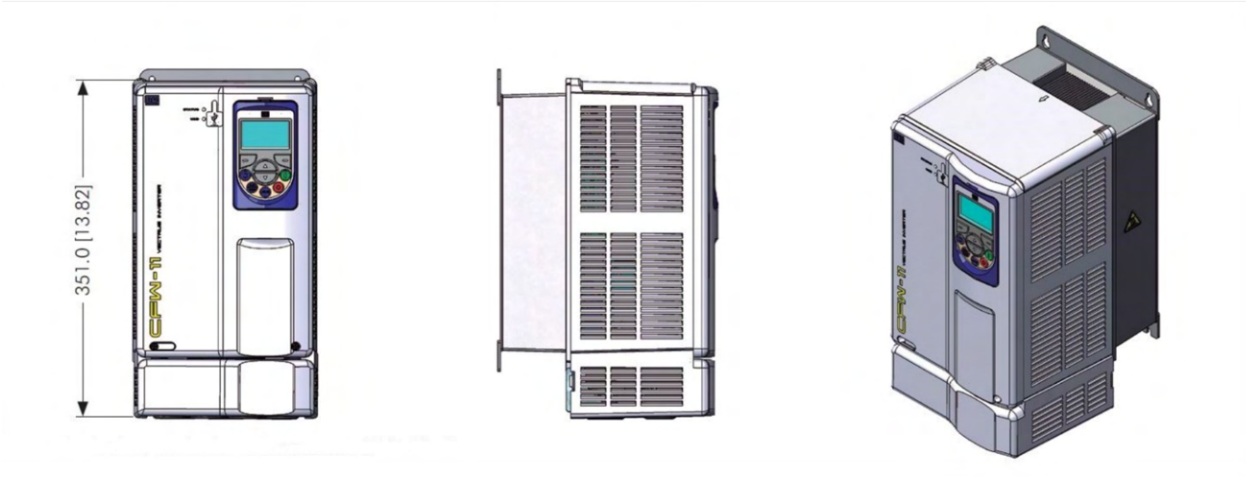
Frame Size A with the Nema1 kit KN1A-01



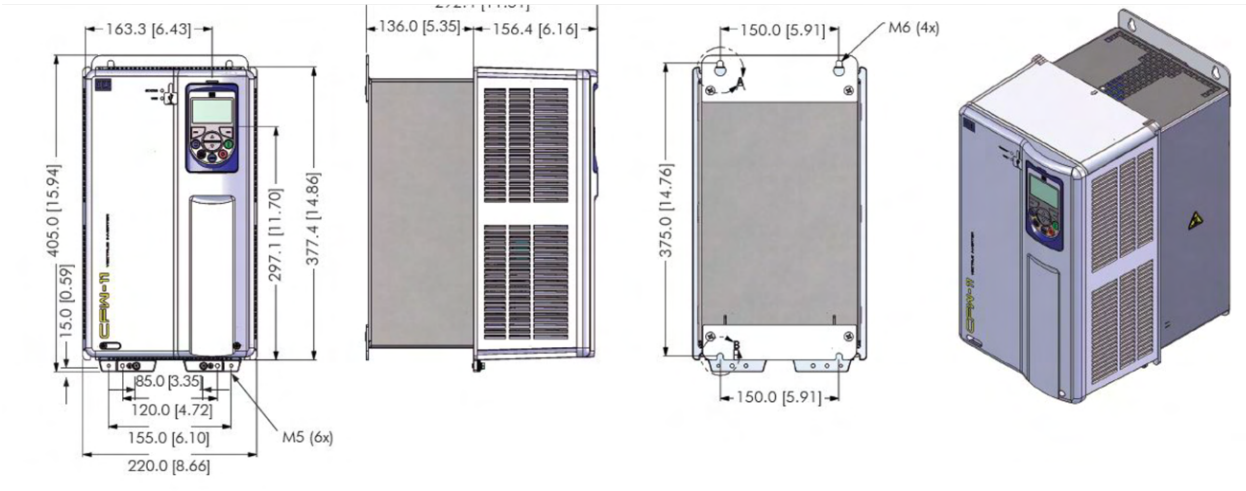
Frame Size B IP21



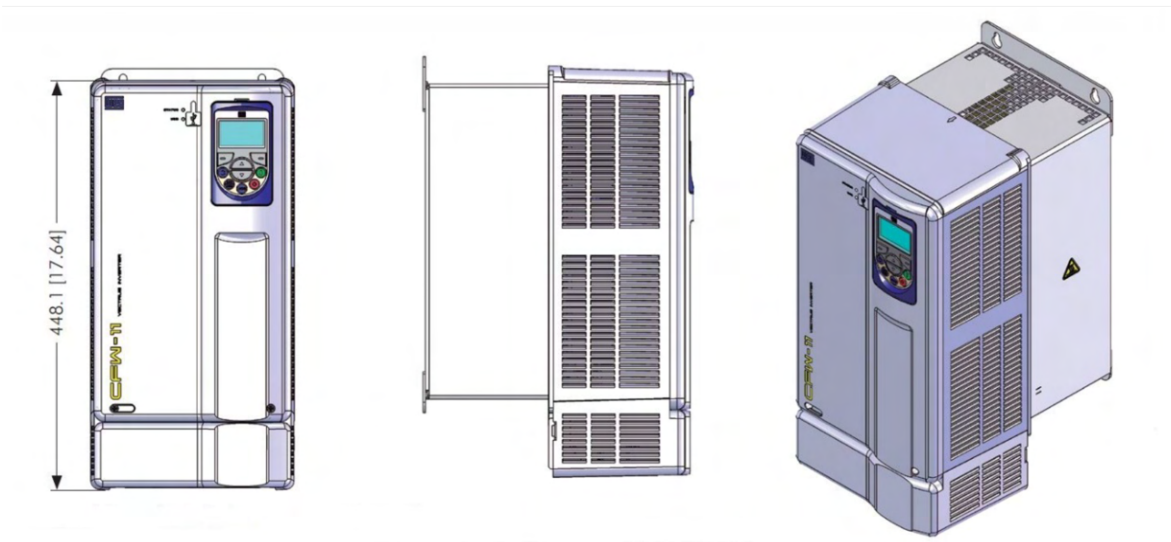
Frame Size B with the Nema1 kit KN1B-01



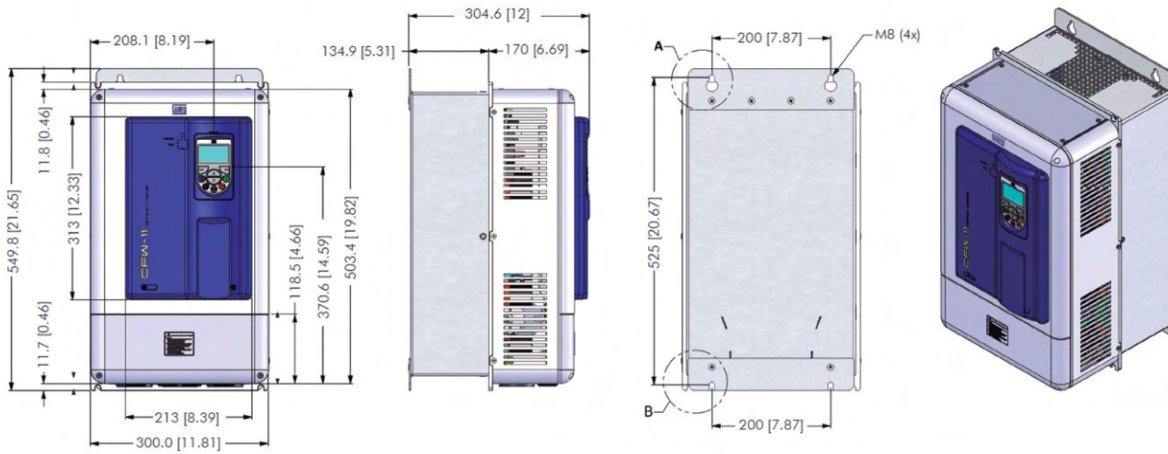
Frame Size C IP21



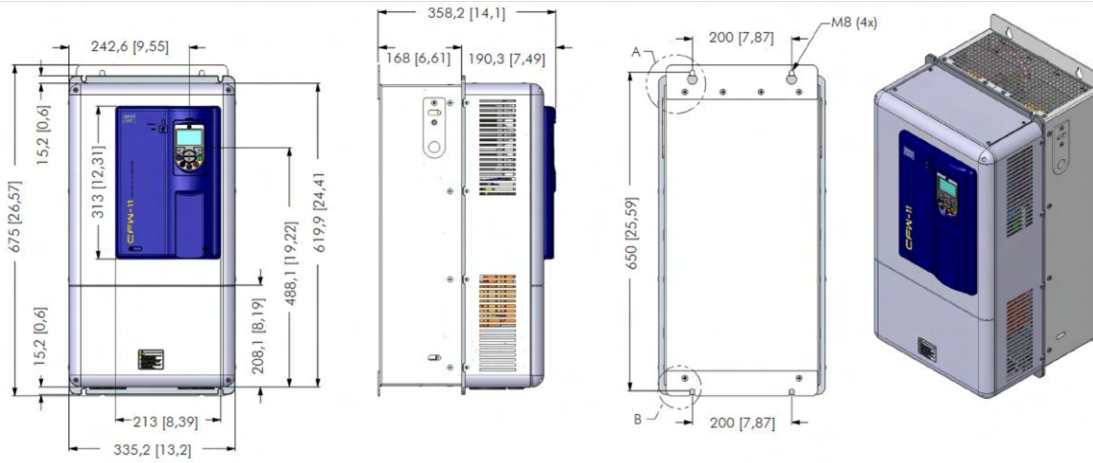
Frame Size C with the Nema1 kit KN1C-01



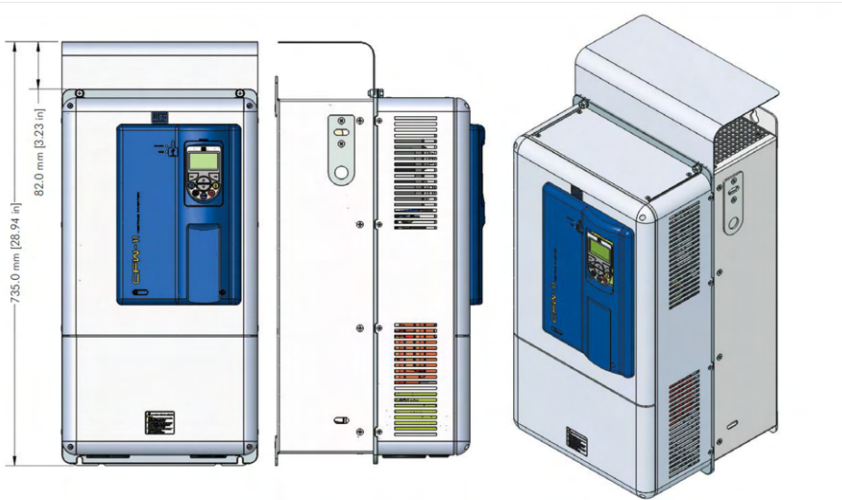
Frame Size D IP20/NEMA1



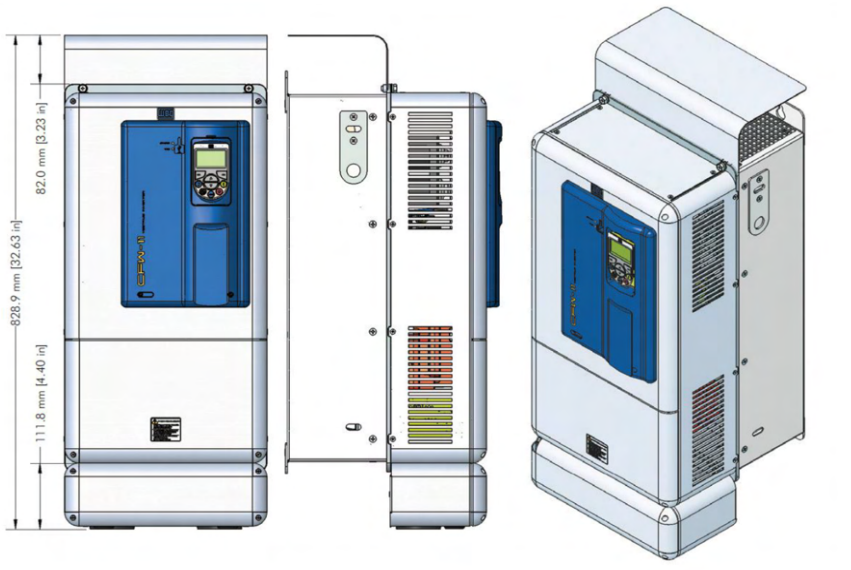
Frame Size E IP20



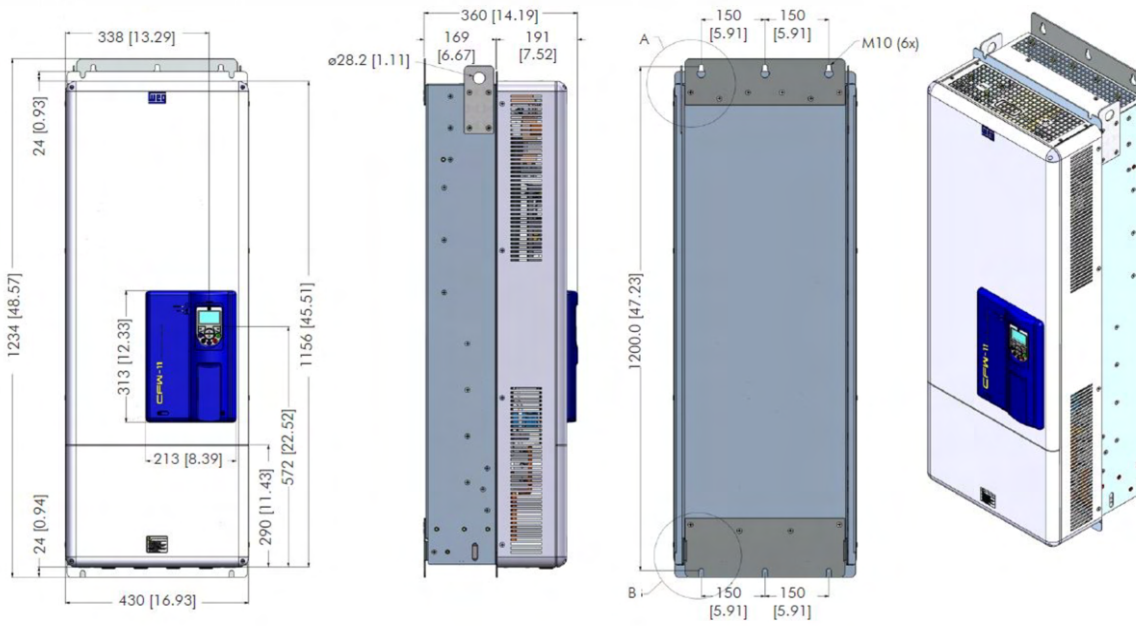
Frame Size E with the Nema1 kit KN1E-01



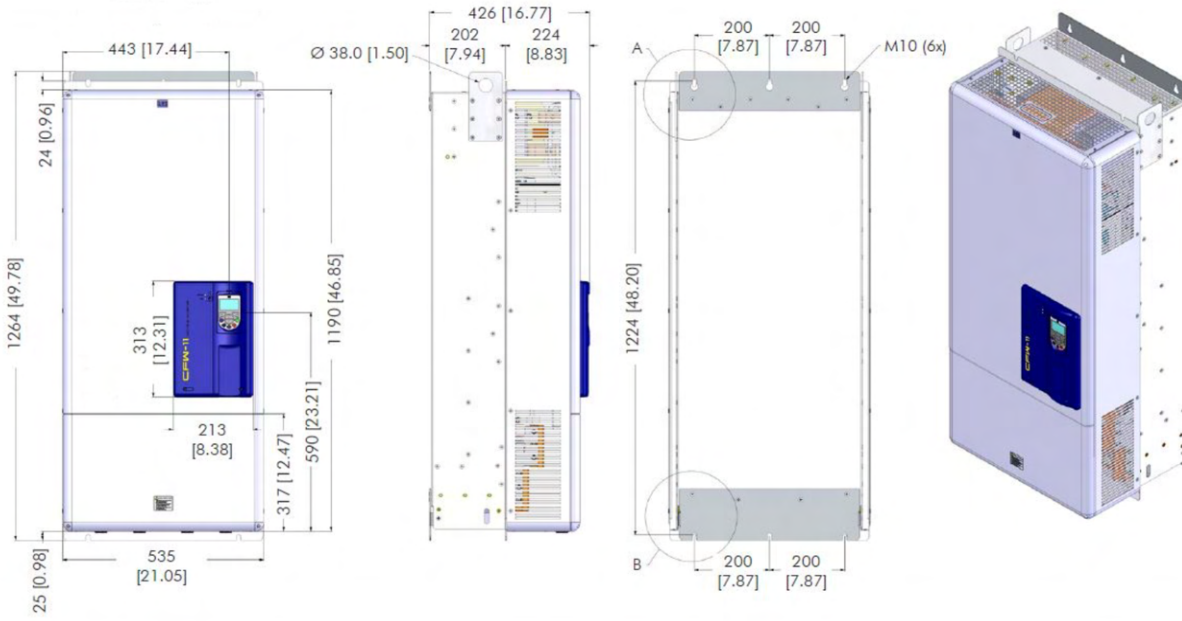
Frame Size E with Nema1 kit KN1E-02



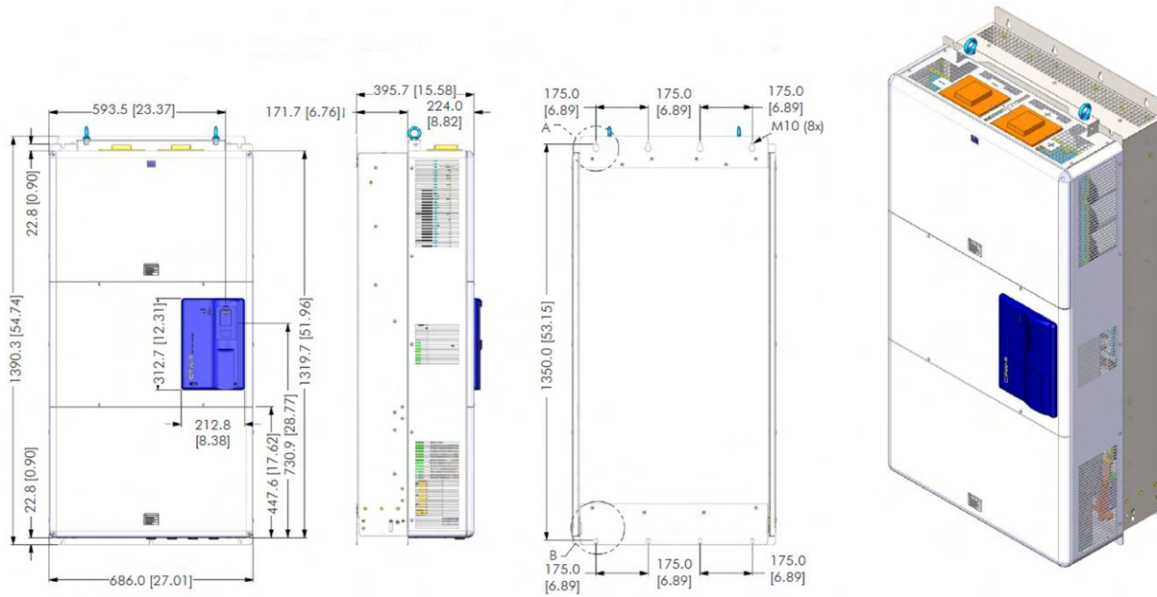
Frame Size F



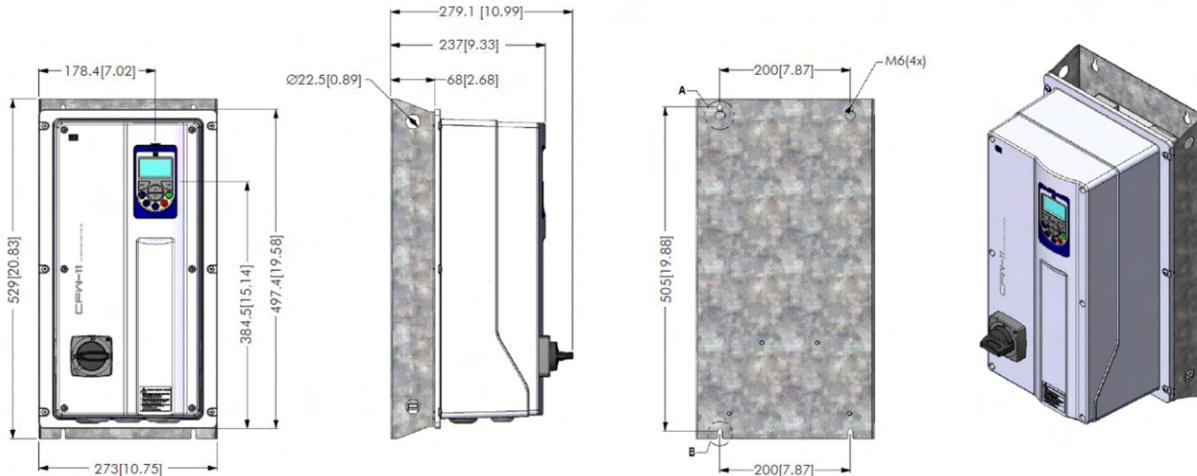
Frame Size G



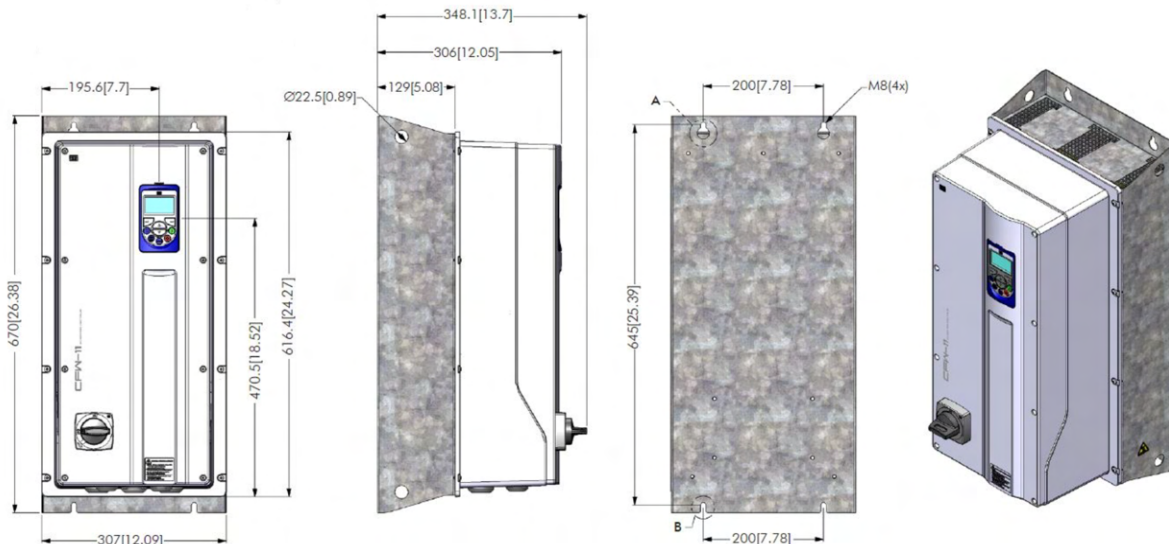
Frame Size H



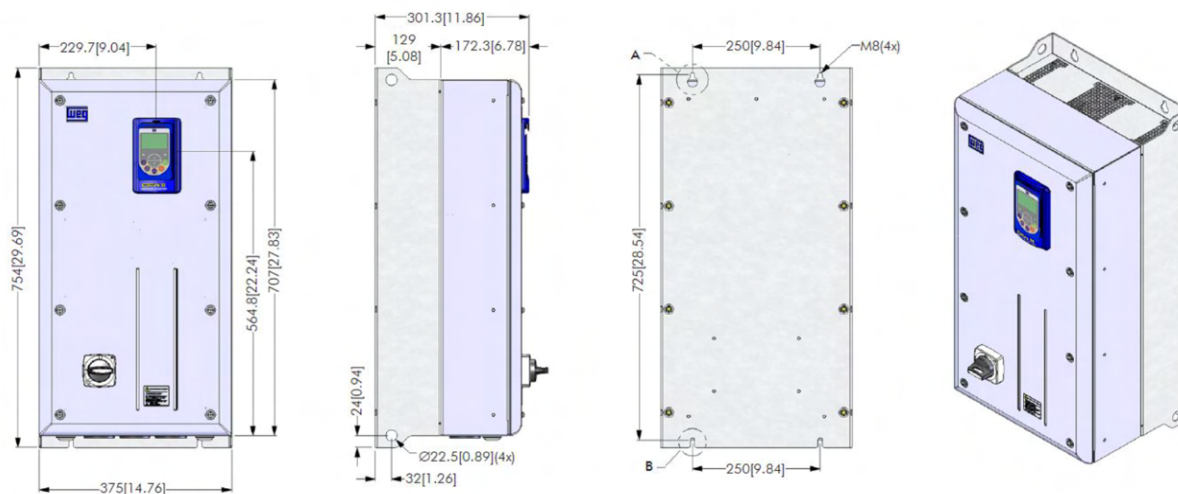
Frame Size B IP55



Frame Size C IP55



Frame Size D IP55



Frame Size E IP55

