

1 2 3 4 5 6

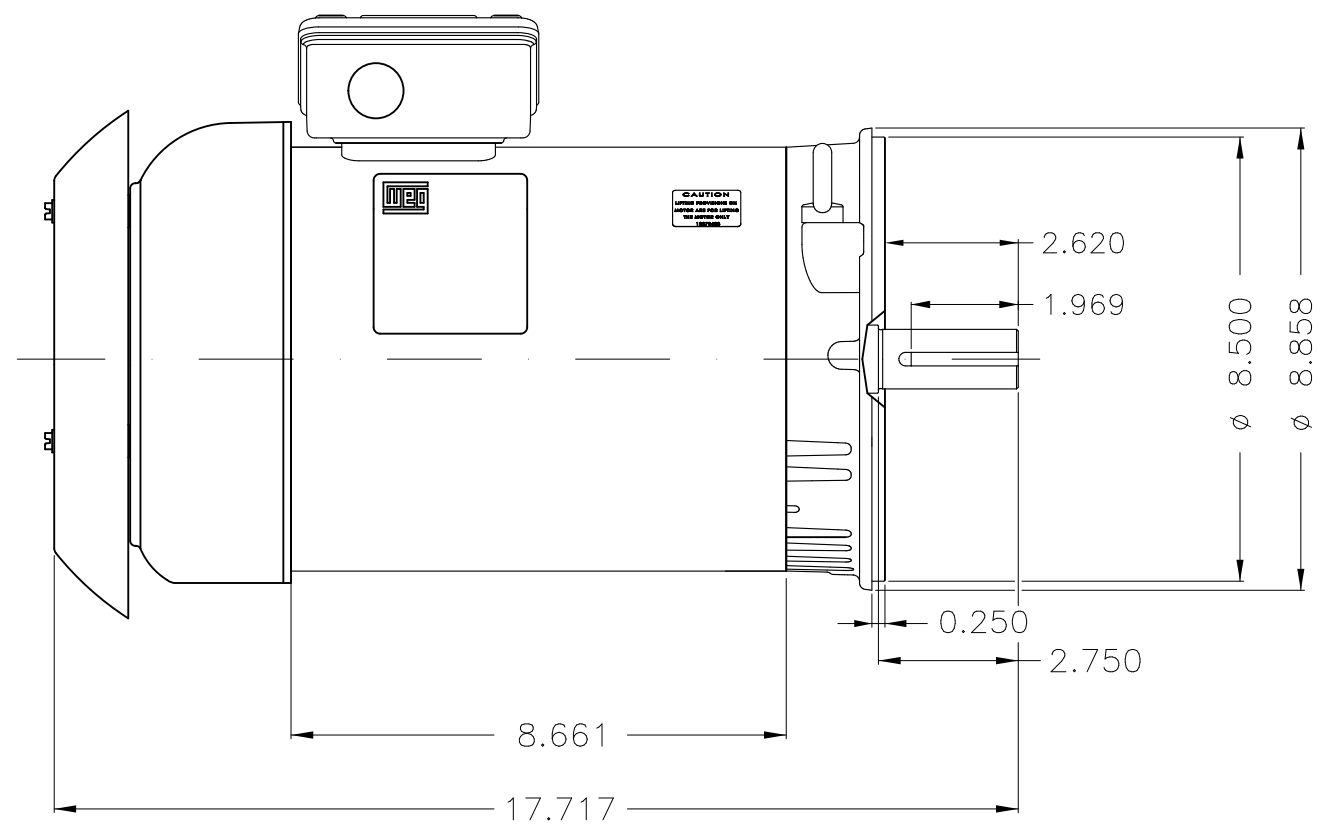
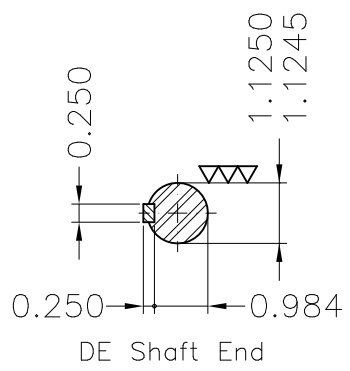
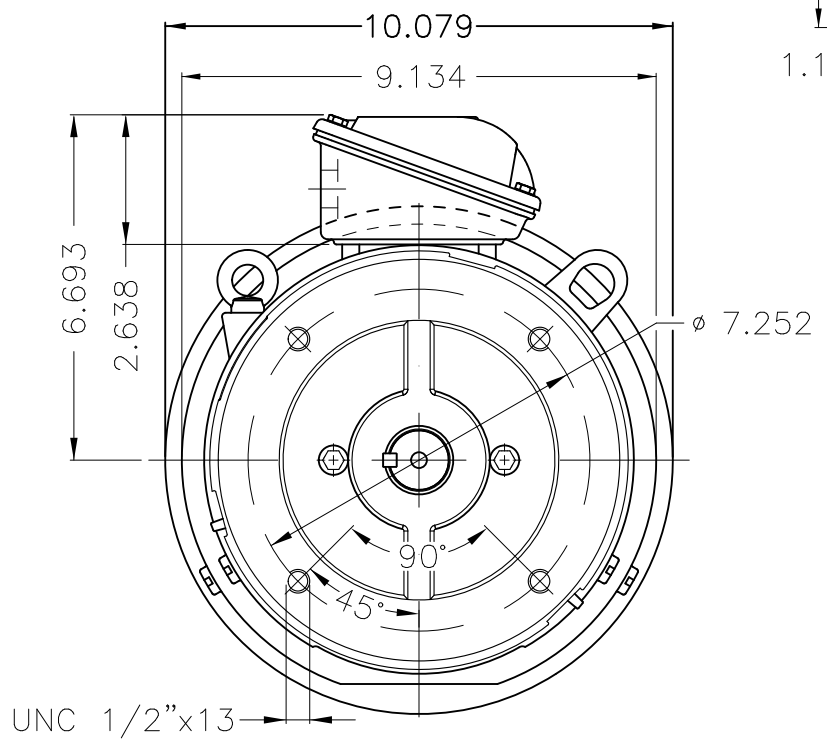
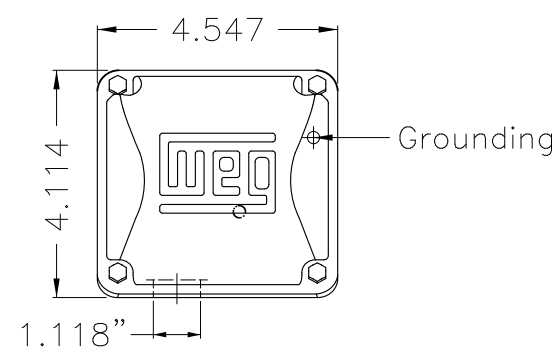
A

B

C

D

E



Color Munsell N 1 matte black									
Painting plan 207N									
Mounting V18T									
				HYBRISUSER		00			
ECM	LOC	SUMMARY OF MODIFICATIONS			EXECUTED	CHECKED	RELEASED	DATE	VER
EXECUTED	HYBRISUSER	THREE PH. MOTOR ROLLED STEEL NEMA PREM. EFF.				PREVIEW WDD 00 SHEET 1 / 1			
CHECKED		FRAME 182/4TC IP55 TEFC							
RELEASED									
REL. DATE		WMO	Jaragua do Sul	Product Engineering					

3 HP 02 Poles 60 Hz

A