

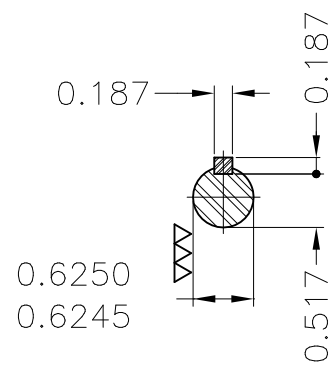
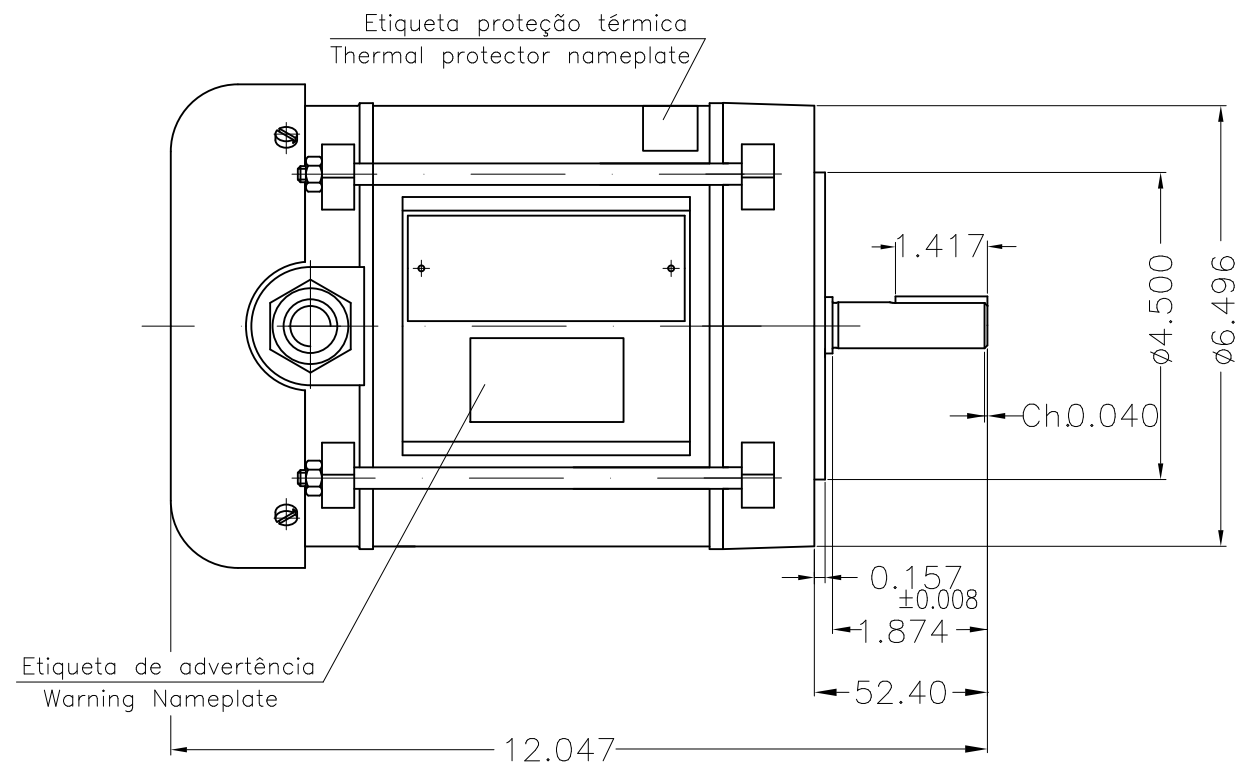
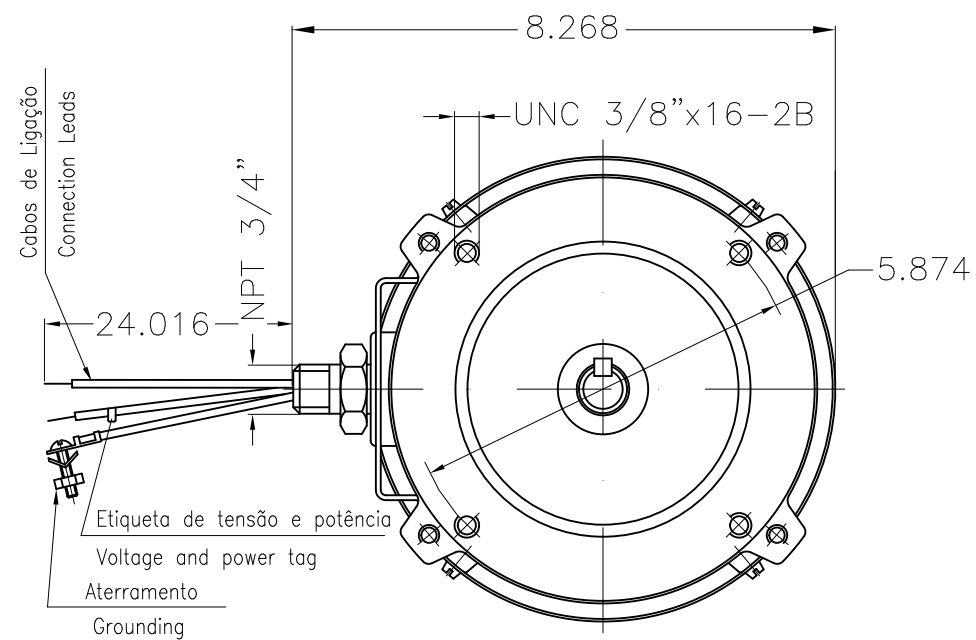
A

B

C

D

E



Sealing cement in the leads outlet special						
Mounting B14R(D)						
					HYBRISUSER	00
ECM	LOC	SUMMARY OF MODIFICATIONS		EXECUTED	CHECKED	RELEASED
EXECUTED	HYBRISUSER	SINGLE PH. MOTOR EXPLOSION PROOF			PREVIEW	
CHECKED		FRAME A56CEX IP44 TEFC			WDD	00
RELEASED					SHEET	1 / 1
REL. DATE		WMO	Jaragua do Sul	Product Engineering		

1/4 HP 04 Poles 60 Hz

A

Dimensions in inches

XME A3

