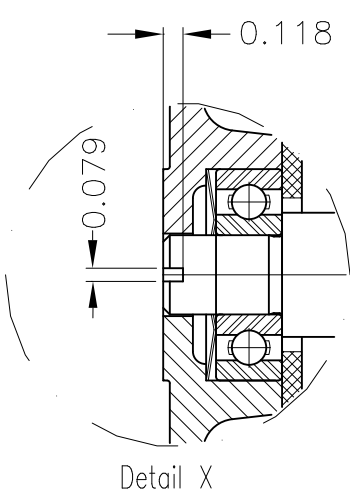
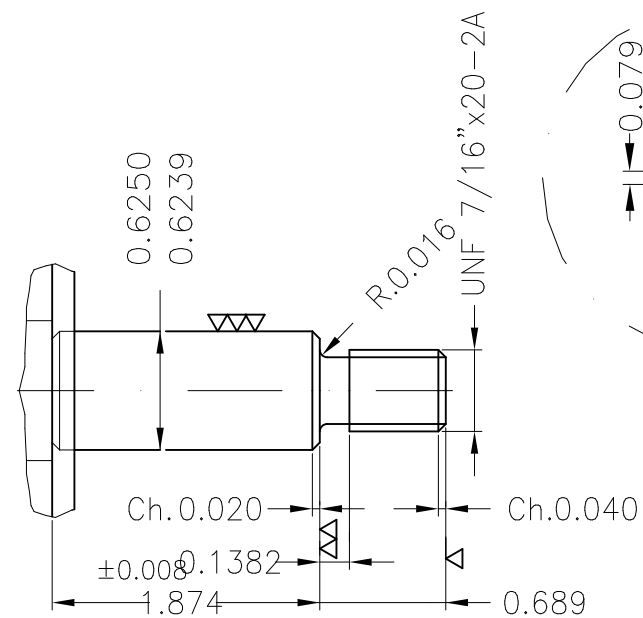
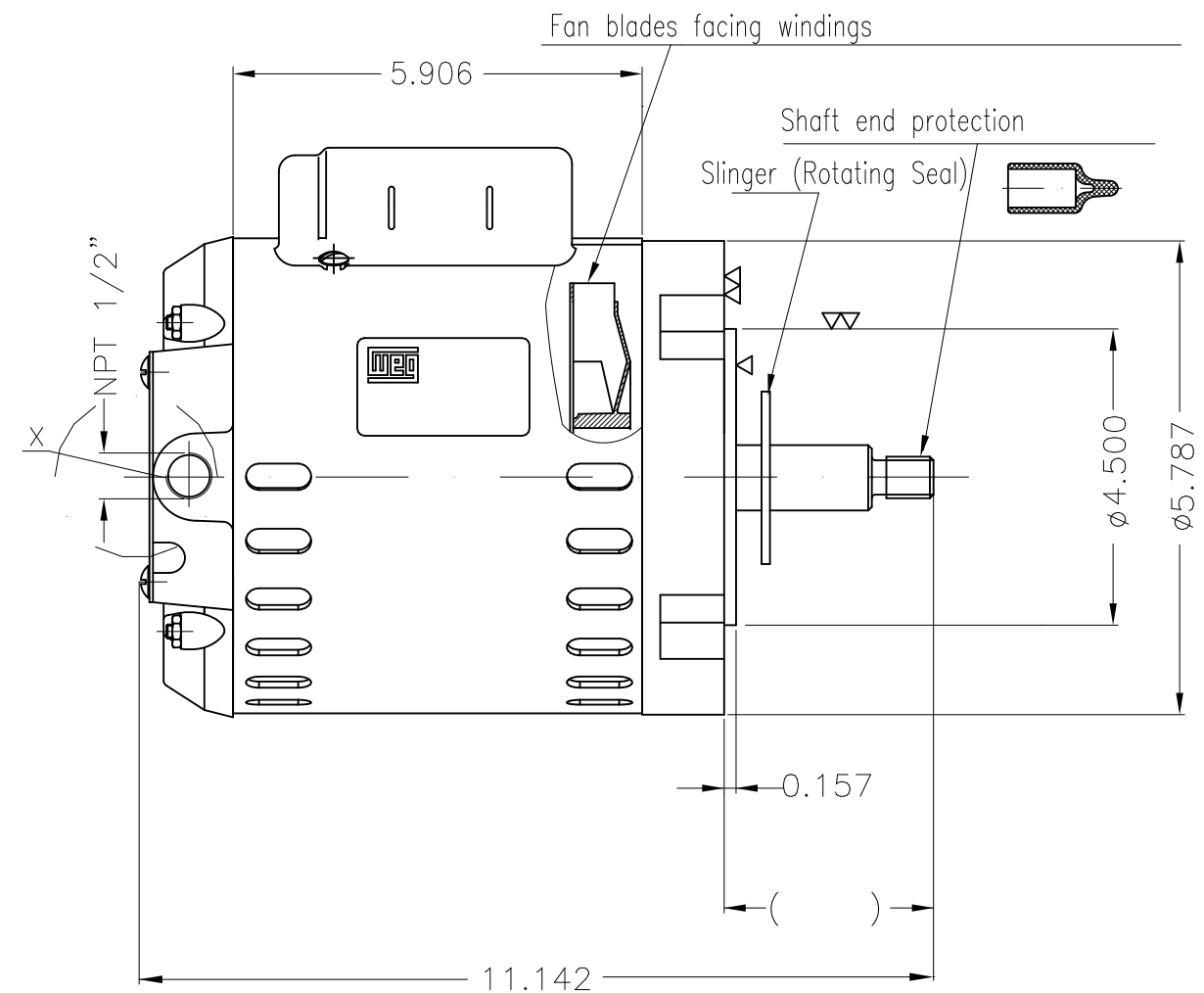
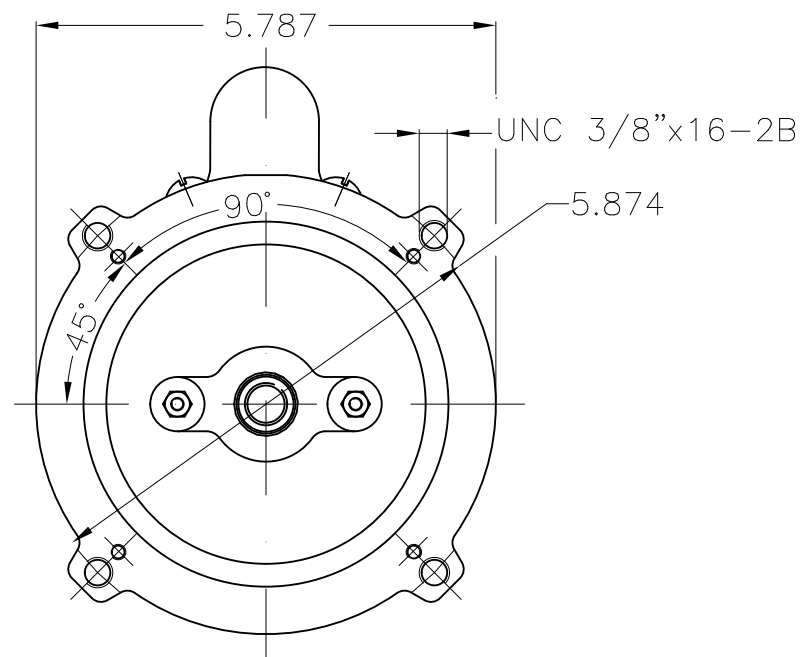


1 2 3 4 5 6

A
B
C
D
E



| Mounting B14R(D) | | | | | | | | | | |
|------------------|------------|----------------------------|----------------|---------------------|--|----------|---------|----------|------|-----|
| ECM | LOC | SUMMARY OF MODIFICATIONS | | | | EXECUTED | CHECKED | RELEASED | DATE | VER |
| EXECUTED | HYBRISUSER | SINGLE PH. MOTOR WJET PUMP | | | | | | | | 00 |
| CHECKED | | FRAME W56J IP21 ODP | | | | | | | | |
| RELEASED | | | | | | | | | | |
| REL. DATE | | WMO | Jaragua do Sul | Product Engineering | | | | | | |

1/2 HP 02 Poles 60 Hz

PREVIEW
WDD 00
SHEET 1 / 1

