

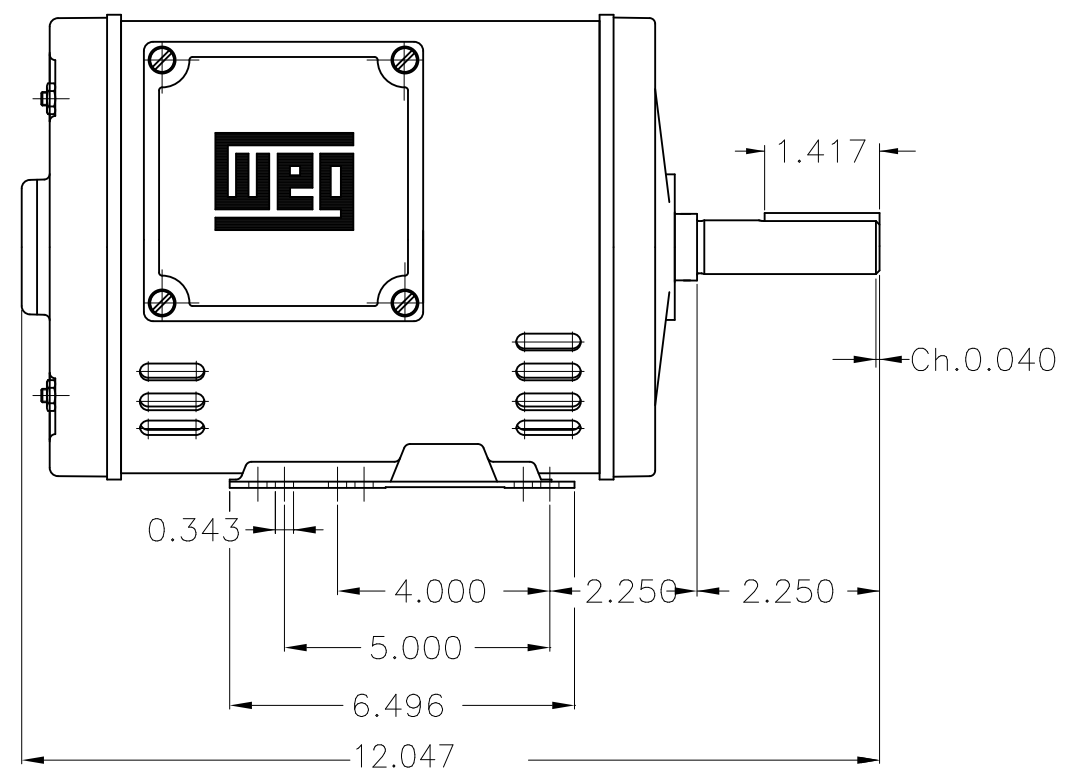
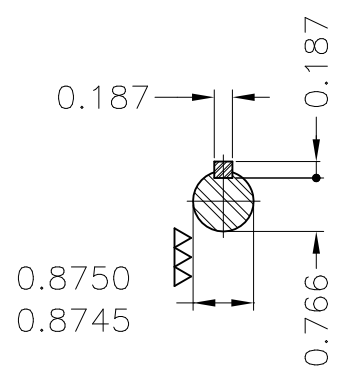
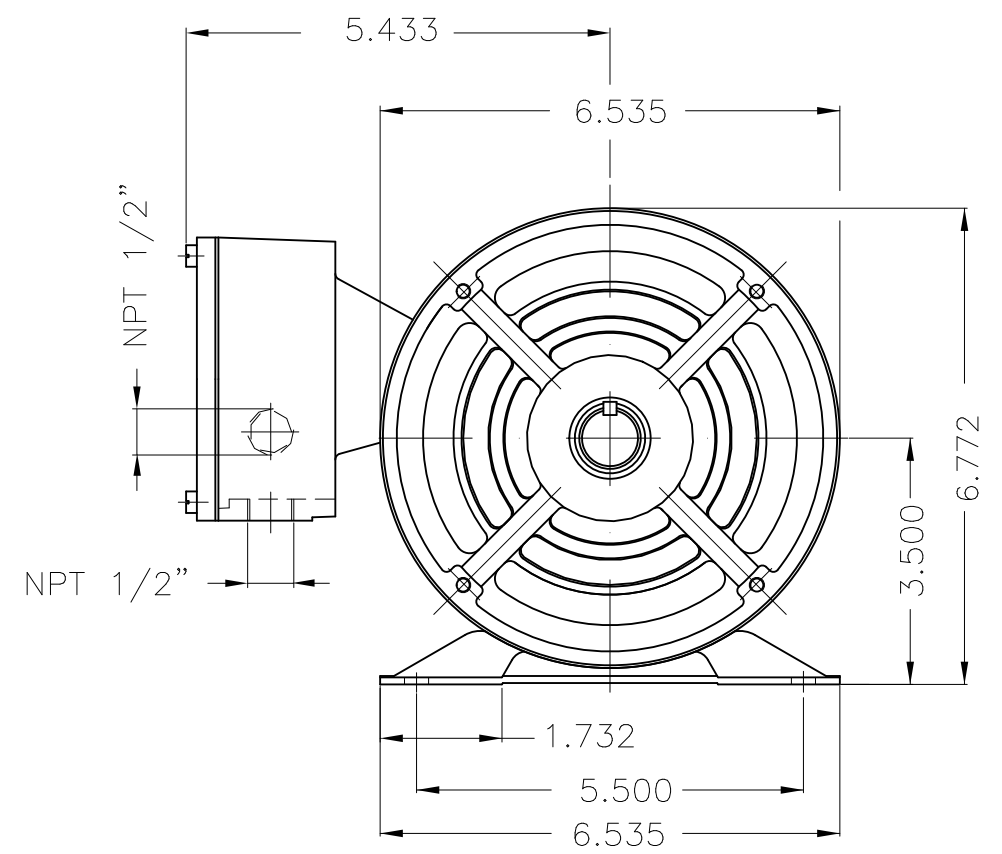
A

B

C

D

E



Without switch off thermal protection						
Mounting B3R(D)						
					HYBRISUSER	00
ECM	LOC	SUMMARY OF MODIFICATIONS		EXECUTED	CHECKED	RELEASED
EXECUTED	HYBRISUSER	THREE PH. MOTOR GENERAL NEMA PREM. EFF.		PREVIEW		
CHECKED		FRAME E143/5T IP21 ODP		WDD   00		
RELEASED				SHEET 1 / 1		
REL. DATE	WMO	Jaragua do Sul	Product Engineering			

2 HP 02 Poles 60 Hz

A