

1

2

3

4

5

6

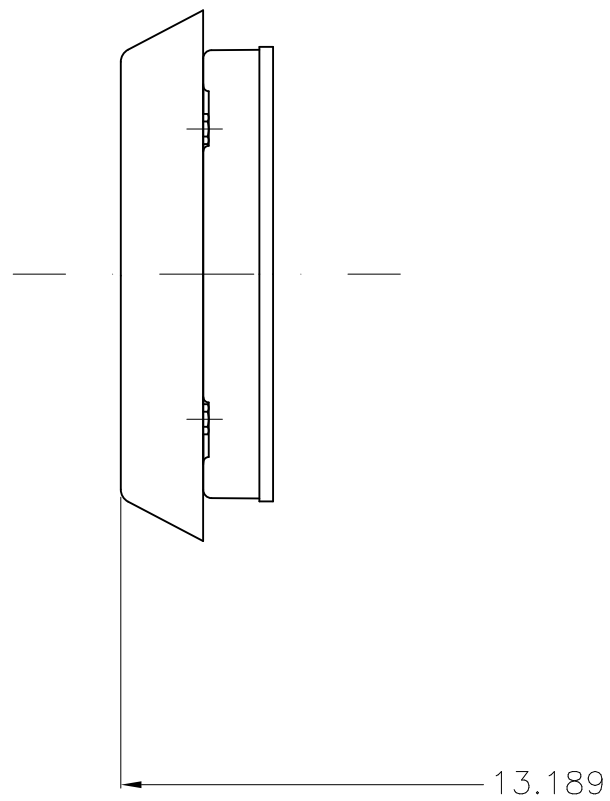
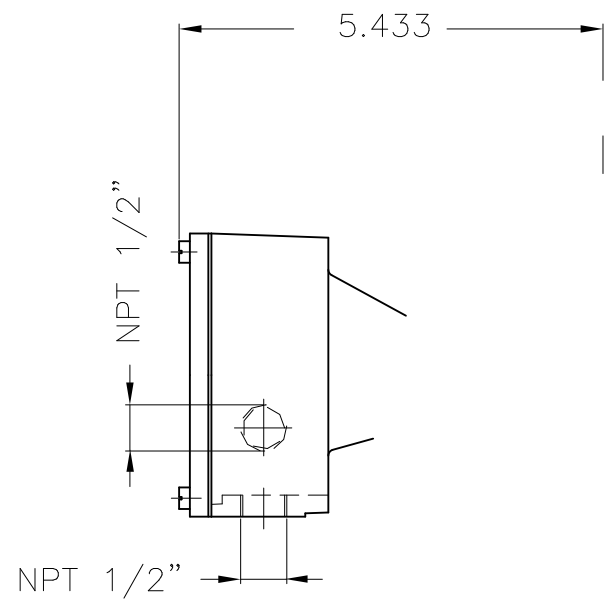
A

B

C

D

E



Mounting B14R(D)									
ECM	LOC	SUMMARY OF MODIFICATIONS			EXECUTED	CHECKED	RELEASED	DATE	VER
									00
EXECUTED	HYBRISUSER	THREE PH. MOTOR GENERAL HIGH EFF. FRAME E143/5TC IP21 ODP				PREVIEW			
CHECKED						WDD		00	
RELEASED									
REL. DATE		WMO	Jaragua do Sul	Product Engineering	SHEET		1 / 1		

1 HP 04 Poles 60 Hz

A

