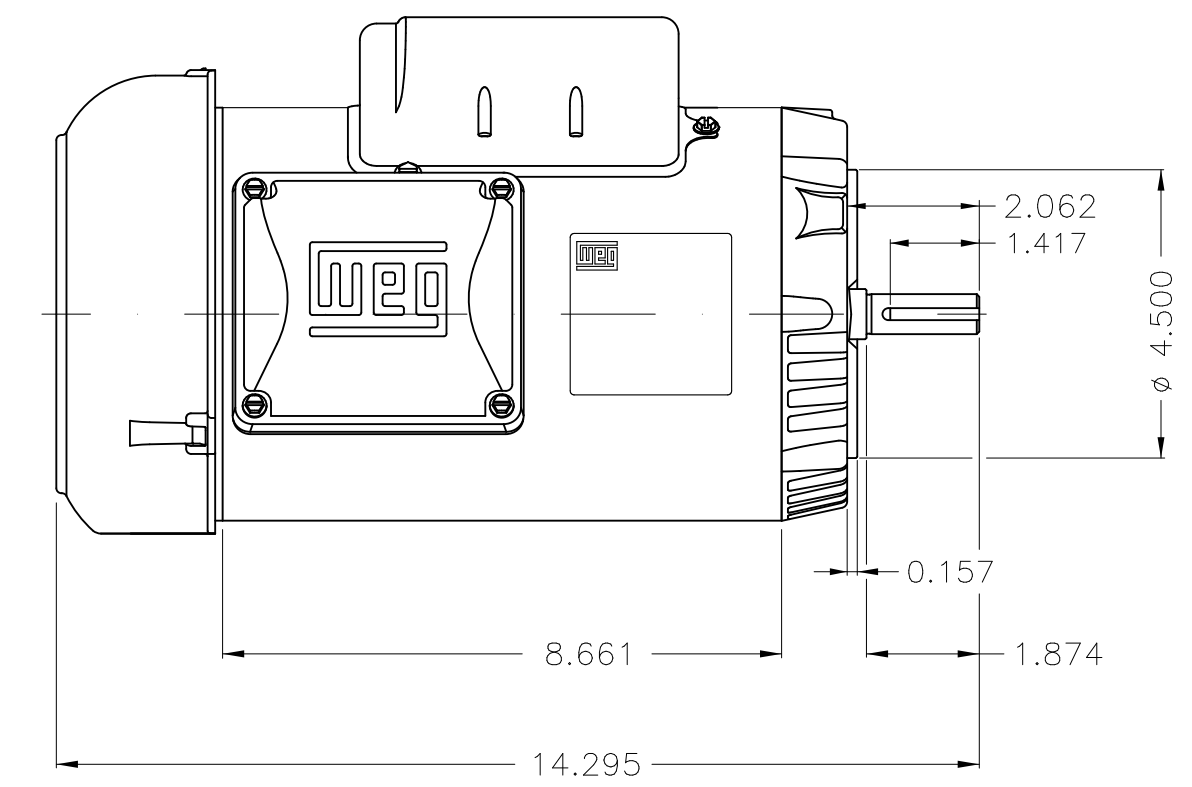
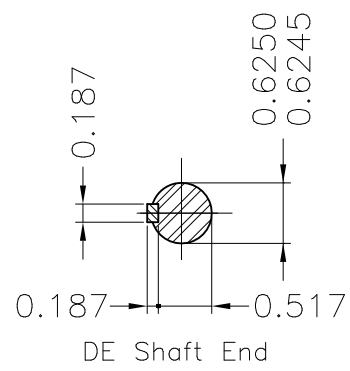


A
B
C
D
E

UNC 3/8"x16-2B

Grounding



Color Munsell N 1 matte black						
Painting plan 207N						
Mounting F-1/B14R(D)						
				HYBRISUSER		00
ECM	LOC	SUMMARY OF MODIFICATIONS		EXECUTED	CHECKED	RELEASED
EXECUTED	HYBRISUSER	SINGLE PH. MOTOR ROLLED STEEL PREM. EFF.				
CHECKED		FRAME 56C IP55 TEFC				
RELEASED						
REL. DATE	WMO	Jaragua do Sul	Product Engineering	PREVIEW		WDD 00
				SHEET		1 / 1

1.5 HP 02 Poles 60 Hz

A WMO Jaragua do Sul Product Engineering SHEET 1 / 1

