

1 2 3 4 5 6

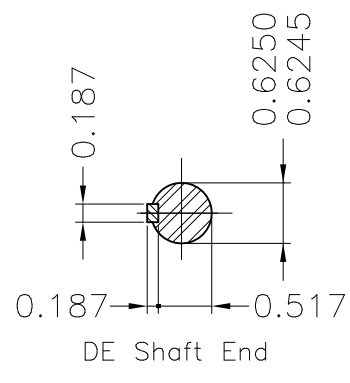
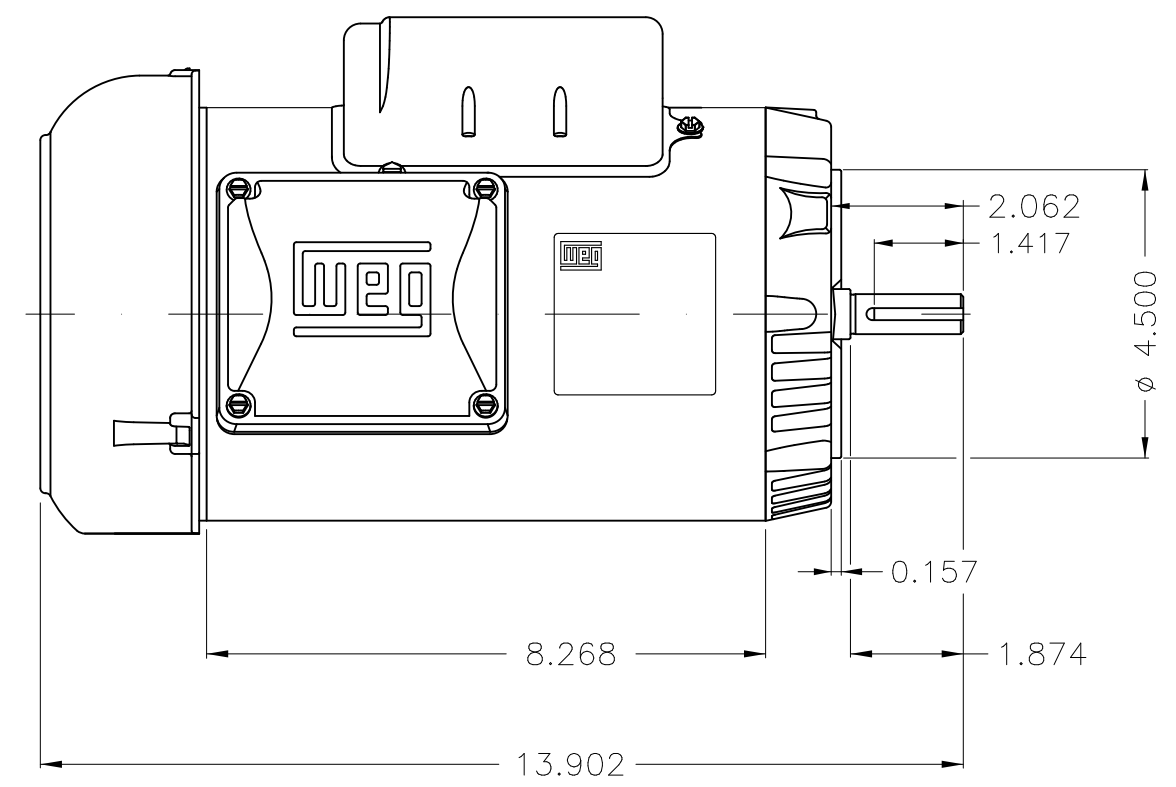
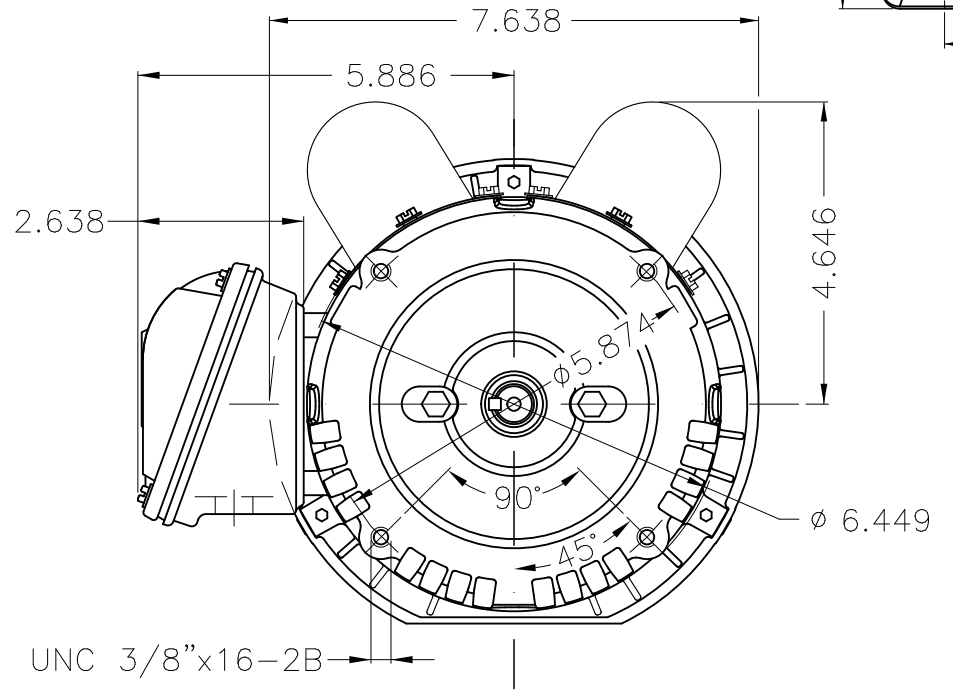
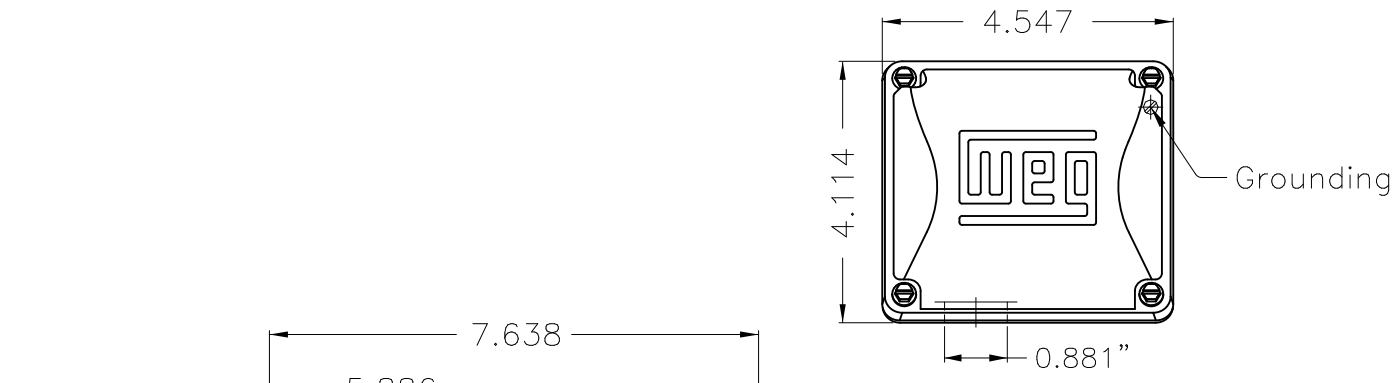
A

B

C

D

E



Dimensions in inches

|                               |            |  |                |                     |            |          |
|-------------------------------|------------|--|----------------|---------------------|------------|----------|
| Color Munsell N 1 matte black |            |  |                |                     |            |          |
| Painting plan 207N            |            |  |                |                     |            |          |
| Mounting F-1/B14R(D)          |            |  |                |                     |            |          |
|                               |            |  |                |                     | HYBRISUSER | 00       |
| ECM                           | LOC        | SUMMARY OF MODIFICATIONS                 |                | EXECUTED            | CHECKED    | RELEASED |
| EXECUTED                      | HYBRISUSER | SINGLE PH. MOTOR ROLLED STEEL PREM. EFF. |                | PREVIEW             |            |          |
| CHECKED                       |            | FRAME 56C IP55 TEFC                      |                | WDD 00              |            |          |
| RELEASED                      |            |  |                | SHEET 1 / 1         |            |          |
| REL. DATE                     |            | WMO                                      | Jaragua do Sul | Product Engineering |            |          |

1 HP 02 Poles 60 Hz

A