

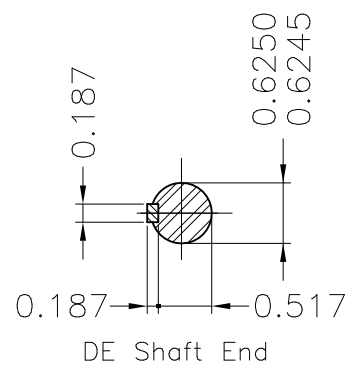
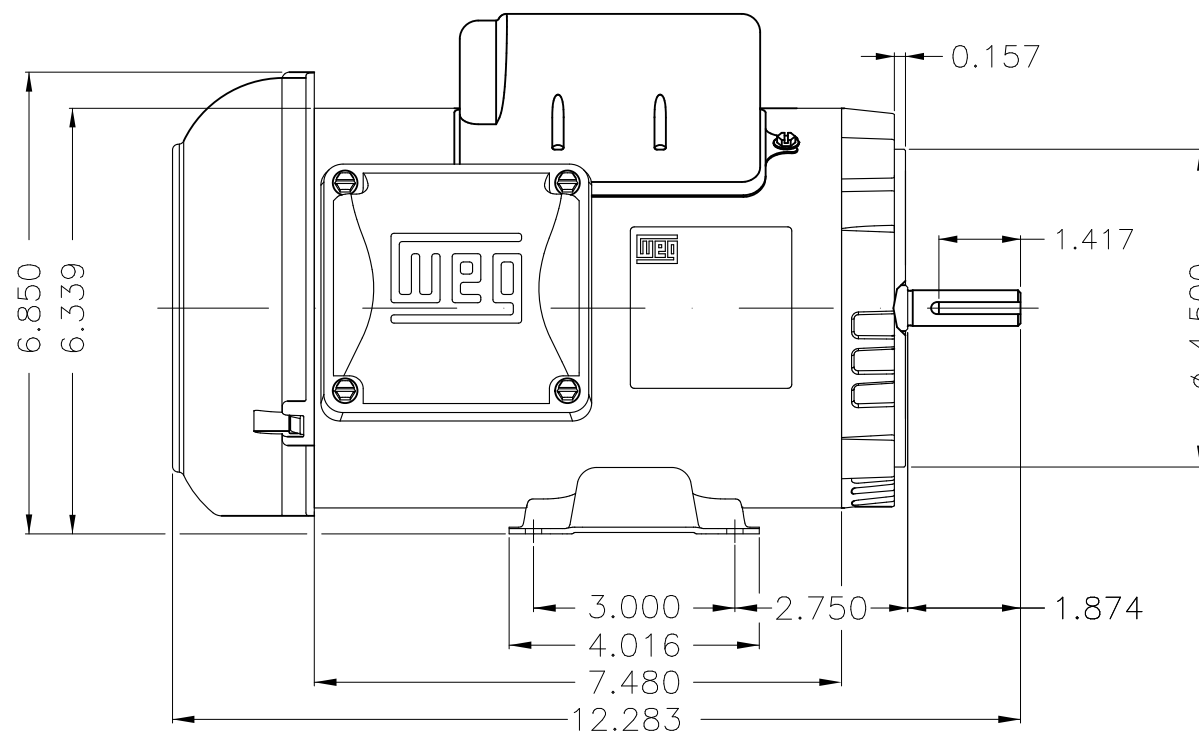
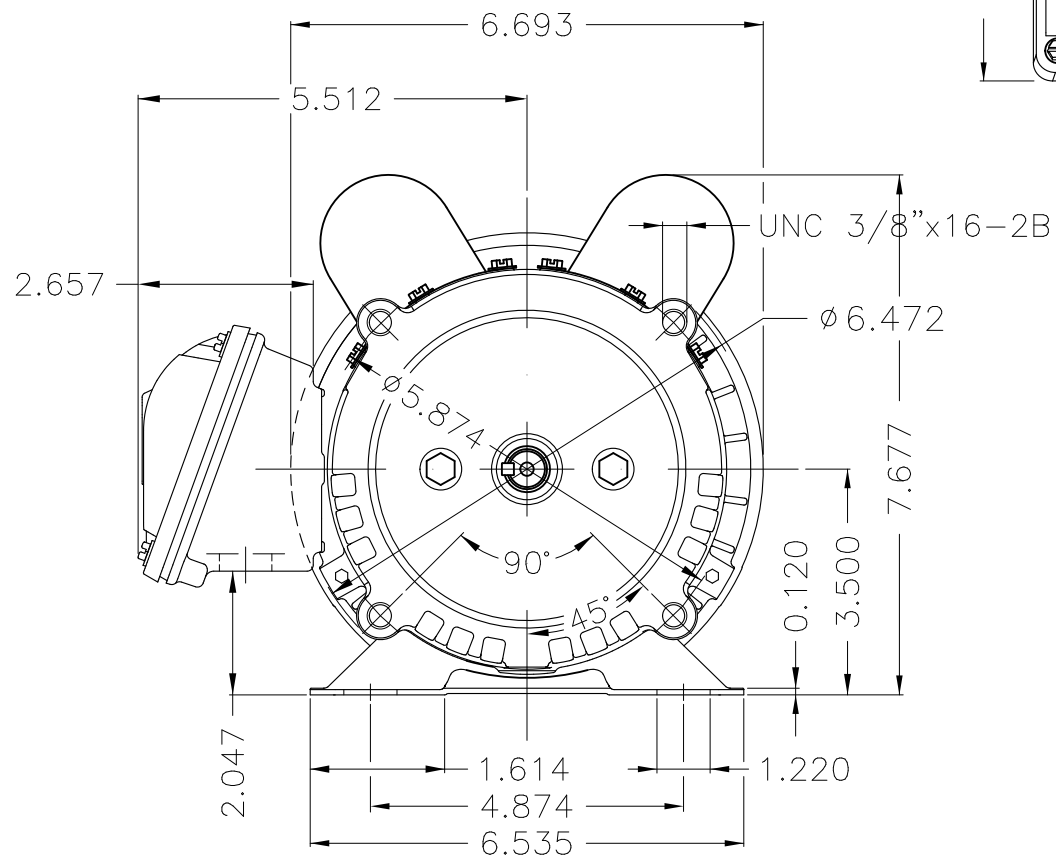
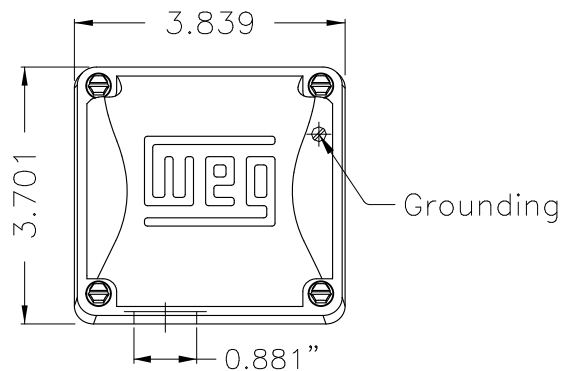
A

B

C

D

E



Dimensions in inches

Color Munsell N 1 matte black
 Painting plan 207N
 Mounting F-1/B34R(D)

								HYBRISUSER						00		
ECM	LOC	SUMMARY OF MODIFICATIONS				EXECUTED	CHECKED	RELEASED	DATE	VER						
EXECUTED	HYBRISUSER	SINGLE PH. MOTOR ROLLED STEEL PREM. EFF.														
CHECKED		FRAME W56C IP55 TEFC														
RELEASED																
REL. DATE		WMO	Jaragua do Sul	Product Engineering	SHEET		1 / 1		PREVIEW		WDD		00			

0.33 HP 04 Poles 60 Hz

A