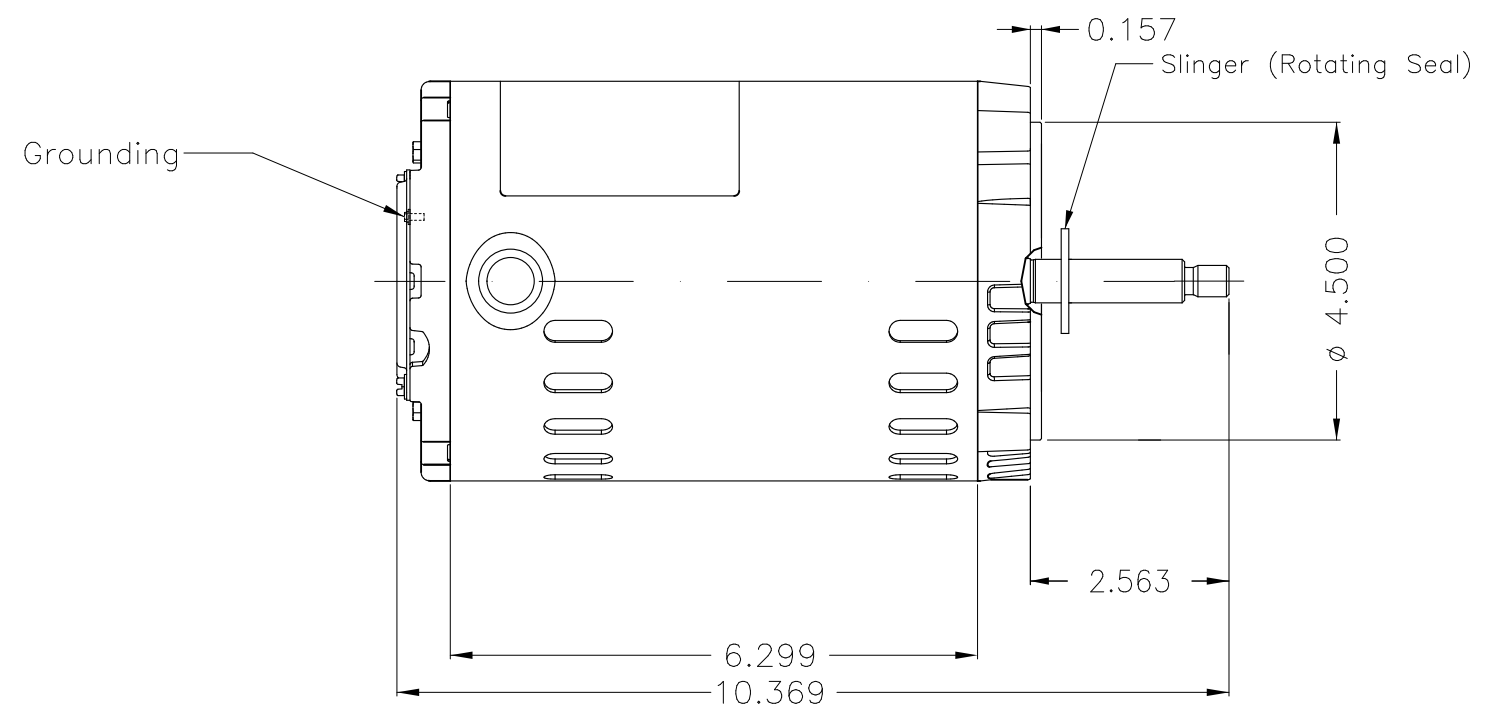
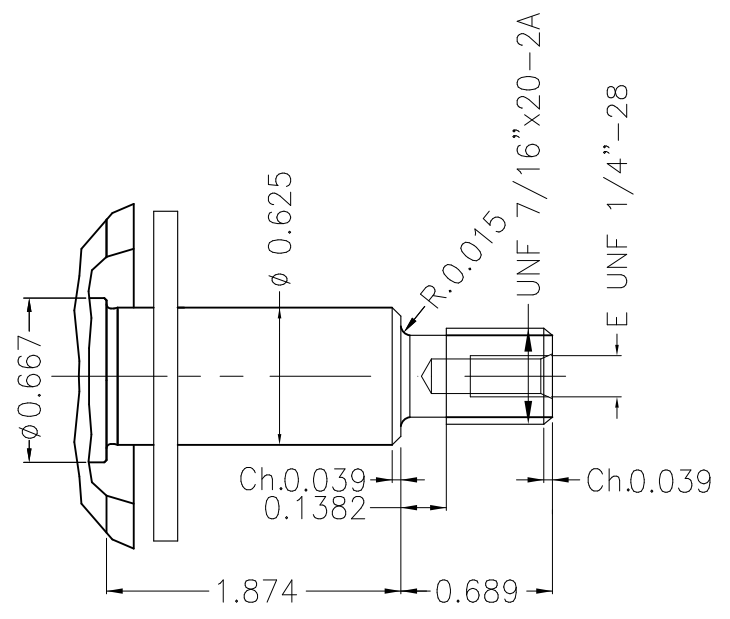
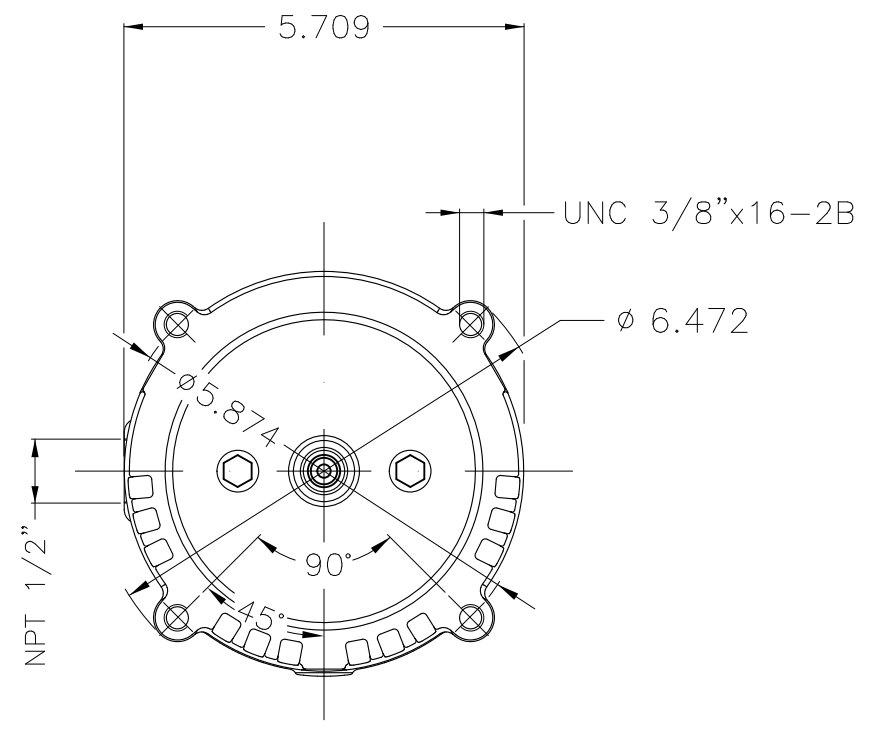


A
B
C
D
E



Color Munsell N 1 matte black
 Painting plan 207N
 Mounting F-1/B14R(D)

						HYBRISUSER				00	
ECM	LOC	SUMMARY OF MODIFICATIONS				EXECUTED	CHECKED	RELEASED	DATE	VER	
EXECUTED	HYBRISUSER	THREE PH. MOTOR ROLLED STEEL JET PUMP THREADED PUMP				PREVIEW					
CHECKED		FRAME W56J IP21 ODP				WDD		00		WEG	
RELEASED						SHEET		1 / 1			
REL. DATE		WMO	Jaragua do Sul	Product Engineering							

0.5 HP 02 Poles 60 Hz

A

Dimensions in inches XME A3