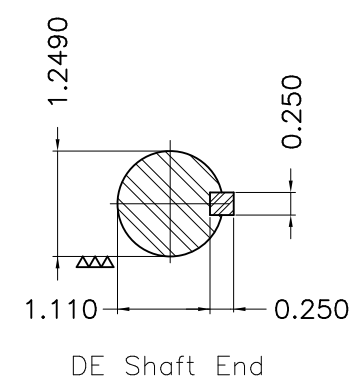
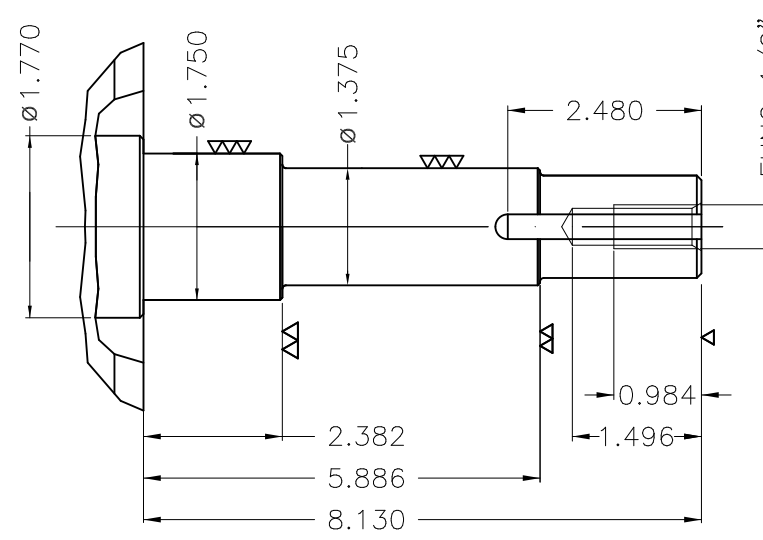
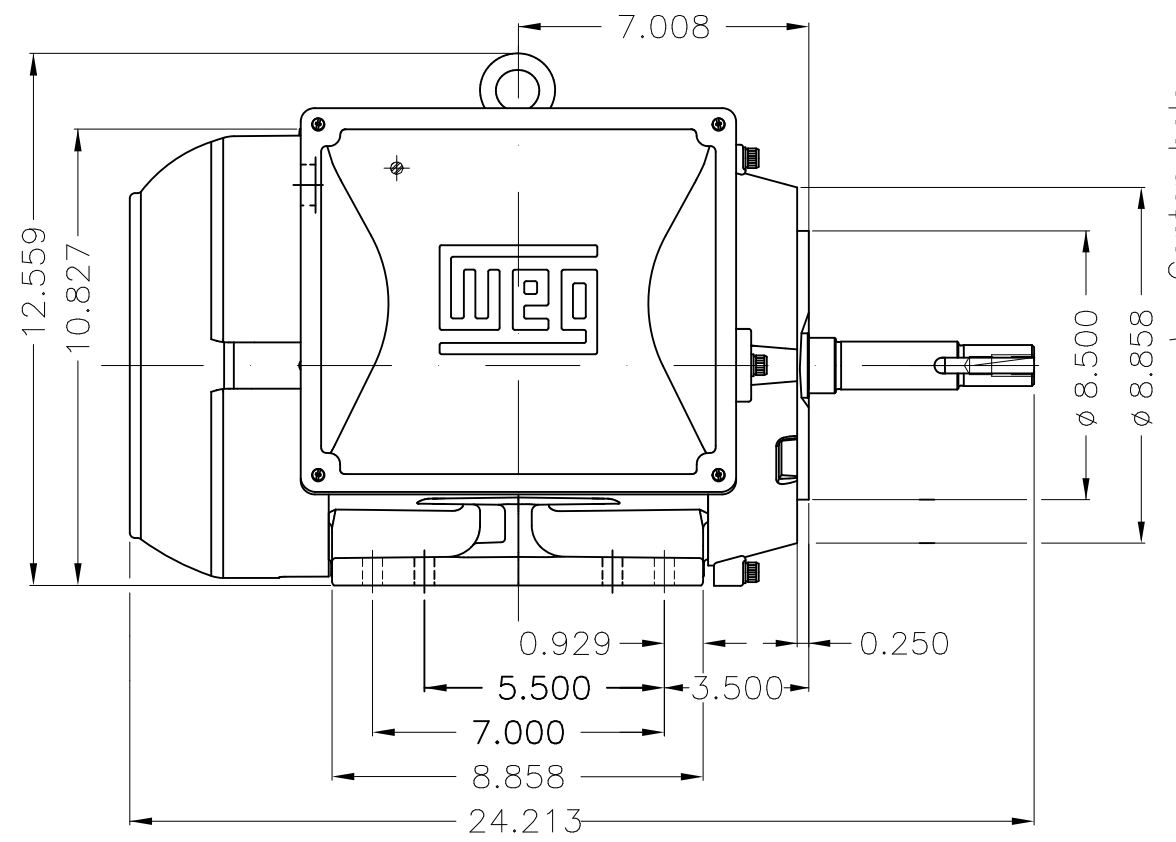
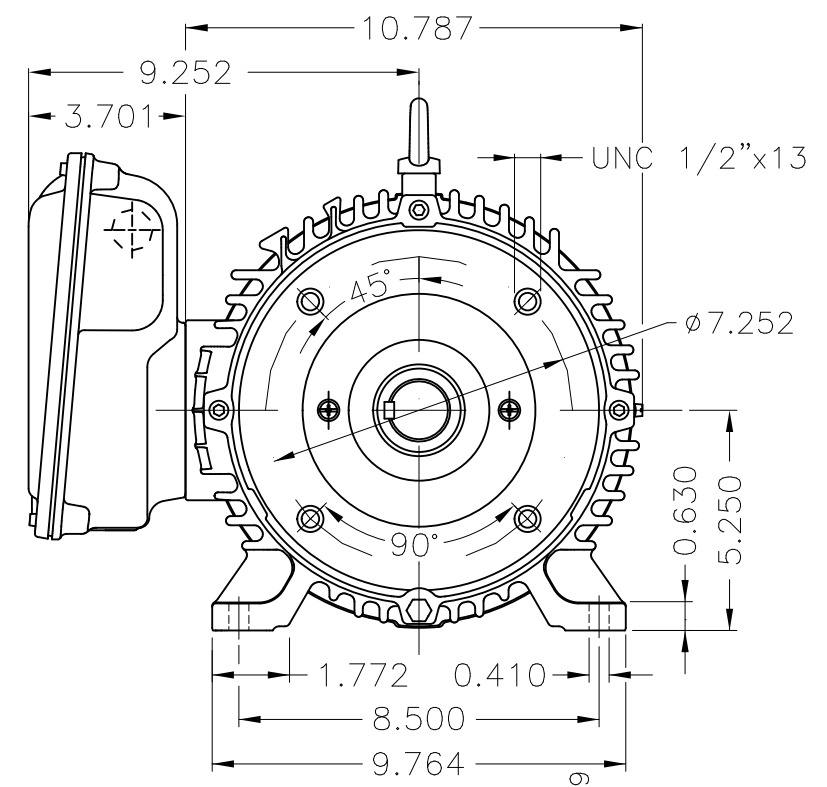
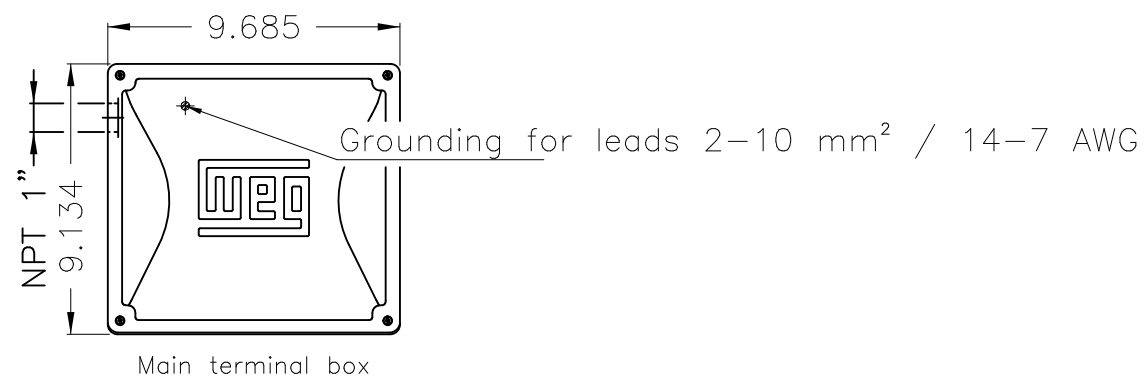


1 2 3 4 5 6

A
B
C
D
E



Color RAL 7022					
Mounting NEMA F-1					
Mounting B34R(D)					
				HYBRISUSER	00
ECM	LOC	SUMMARY OF MODIFICATIONS	EXECUTED	CHECKED	RELEASED
EXECUTED	HYBRISUSER	SINGLE PH. MOTOR W22 CLOSE COUPLED PUMP JP TYPE FRAME 213/5JP IP55 TEFC	PREVIEW		
CHECKED			WDD	00	
RELEASED			SHEET	1 / 1	
REL. DATE	WMO	Jaragua do Sul	Product Engineering		

10 HP 02 Poles 60 Hz