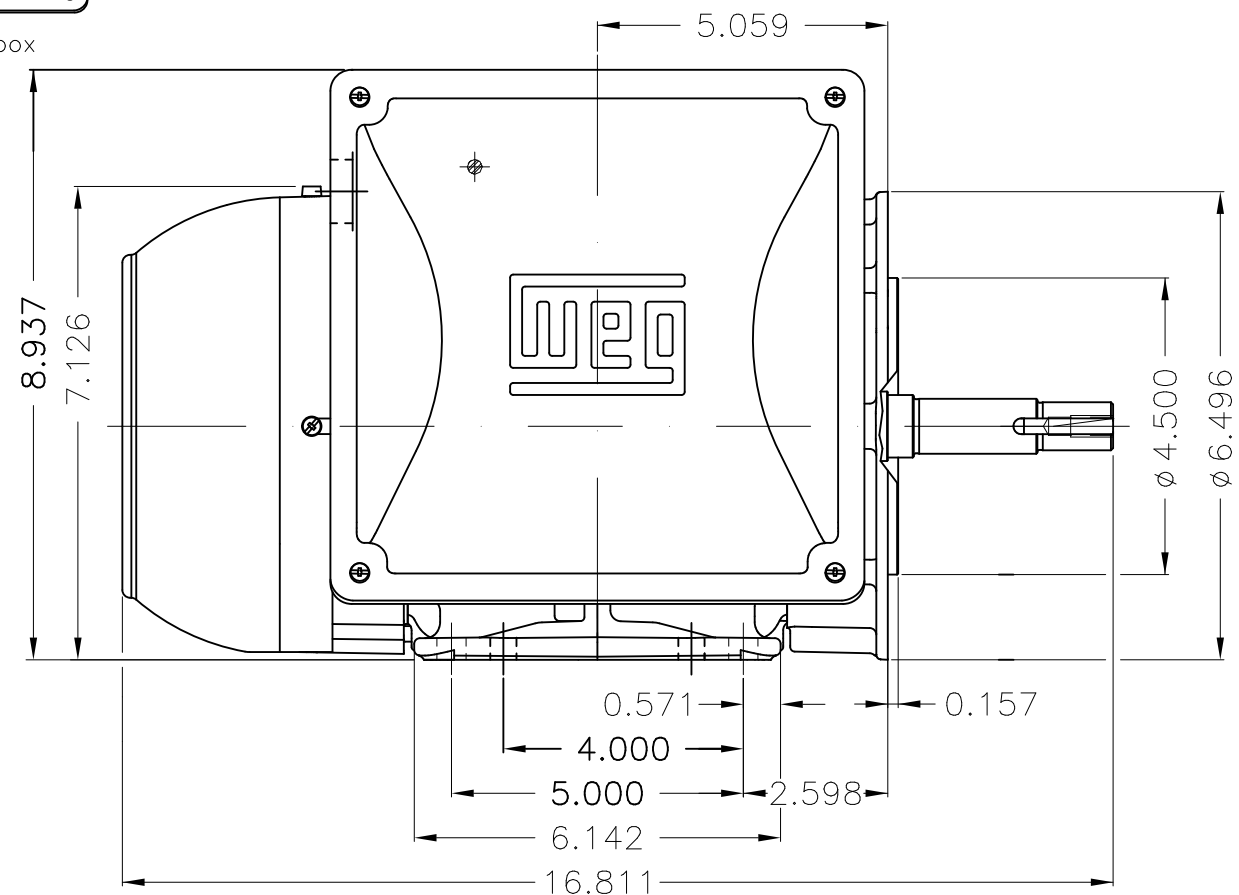
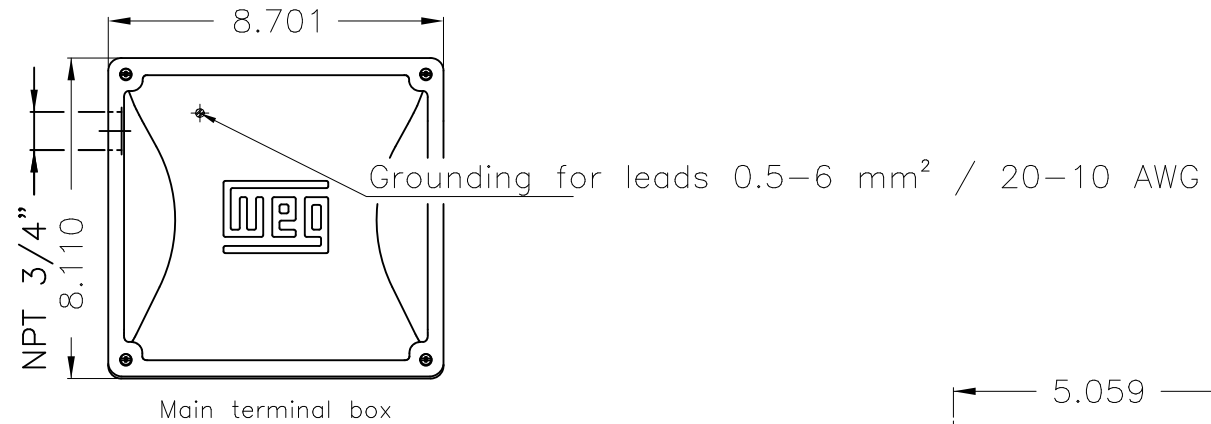
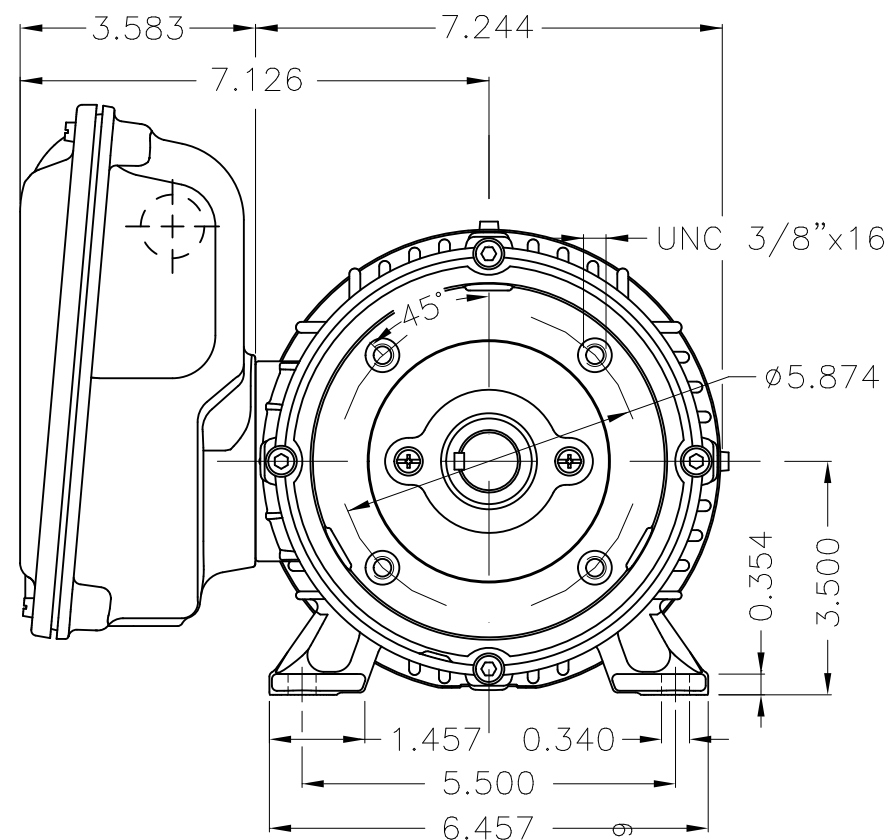
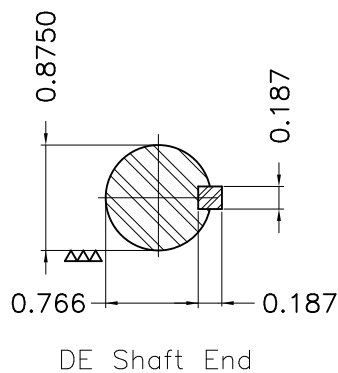
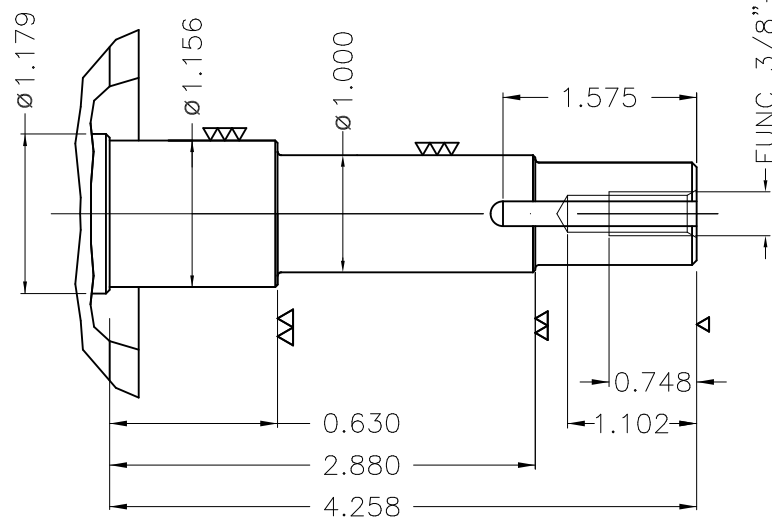


1 2 3 4 5 6

A
B
C
D
E



Center hole
EUNC 3/8"-16 WEG WPR-7309



EUNC 3/8"-16 WEG WPR-7309

Mounting NEMA F-1					
Mounting B34R(D)					
				HYBRISUSER	00
ECM	LOC	SUMMARY OF MODIFICATIONS		EXECUTED	CHECKED
EXECUTED	HYBRISUSER	SINGLE PH. MOTOR W22 CLOSE COUPLED PUMP JM TYPE		RELEASED	DATE
CHECKED		FRAME 143/5JM IP55 TEFC			
RELEASED					
REL. DATE	WMO	Jaragua do Sul	Product Engineering	WDD	00

1.5 HP 04 Poles 60 Hz

PREVIEW
WDD 00
SHEET 1 / 1