

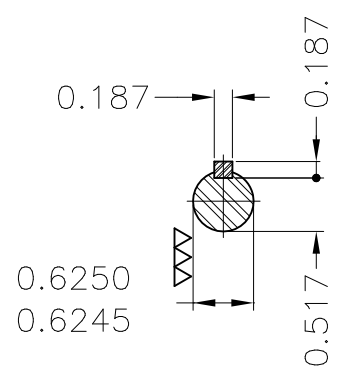
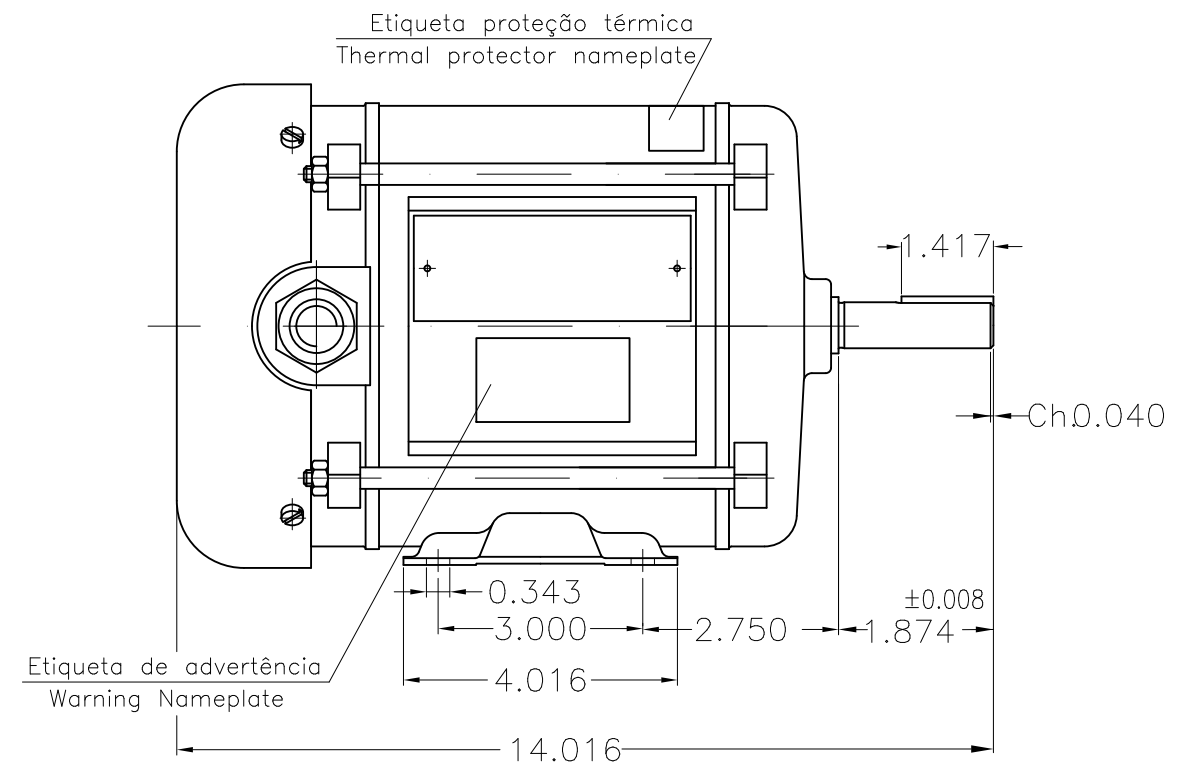
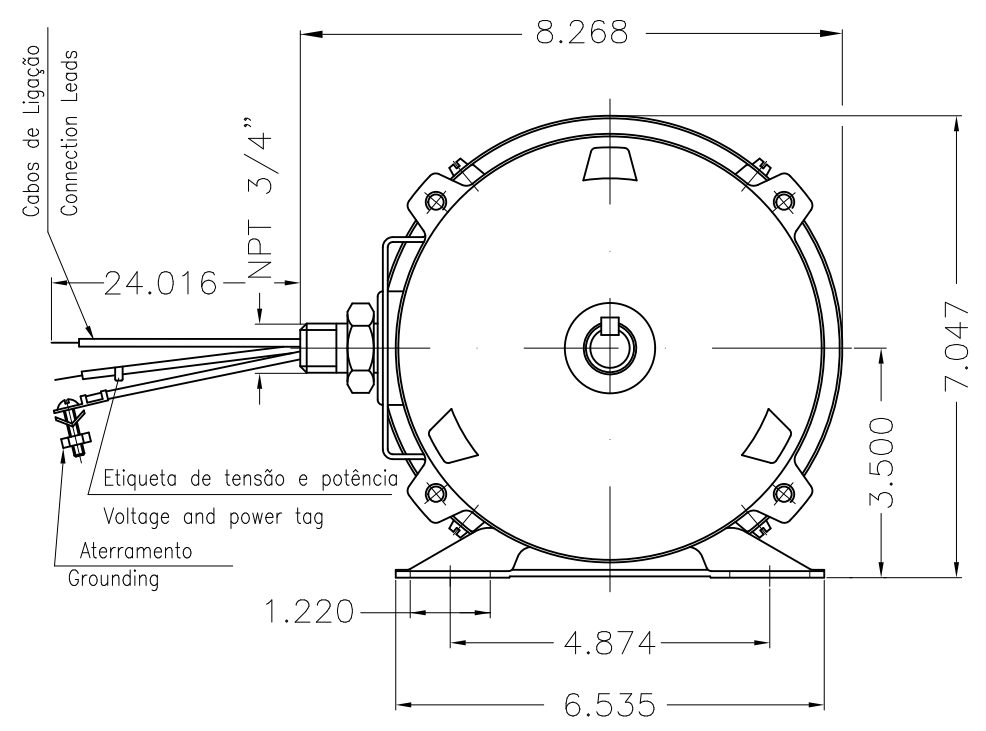
A

B

C

D

E



Mounting B3R(D)										
ECM	LOC	SUMMARY OF MODIFICATIONS				EXECUTED	CHECKED	RELEASED	DATE	VER
EXECUTED	HYBRISUSER	THREE PH. MOTOR EXPLOSION PROOF								
CHECKED		FRAME D56EX IP44 TEFC								
RELEASED										
REL. DATE		WMO	Jaragua do Sul	Product Engineering						

1 HP 04 Poles 60 Hz