

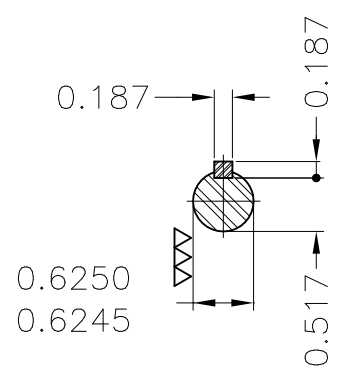
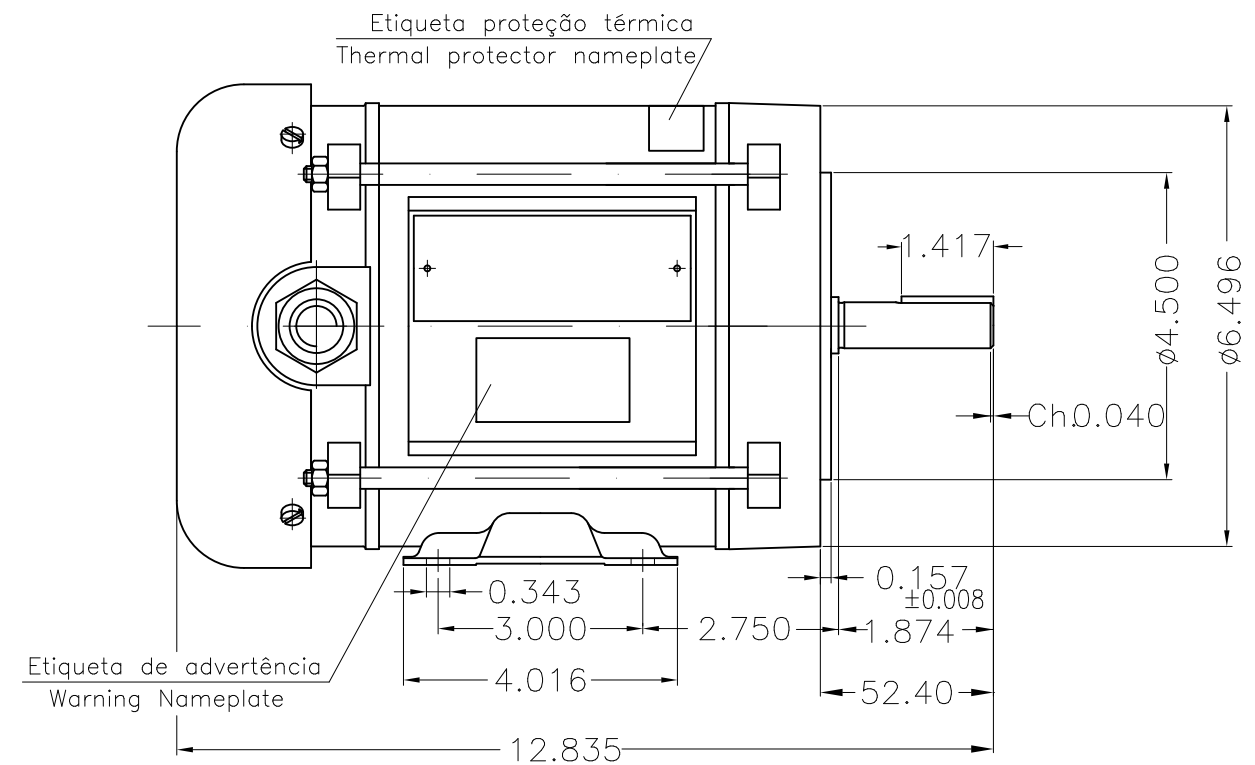
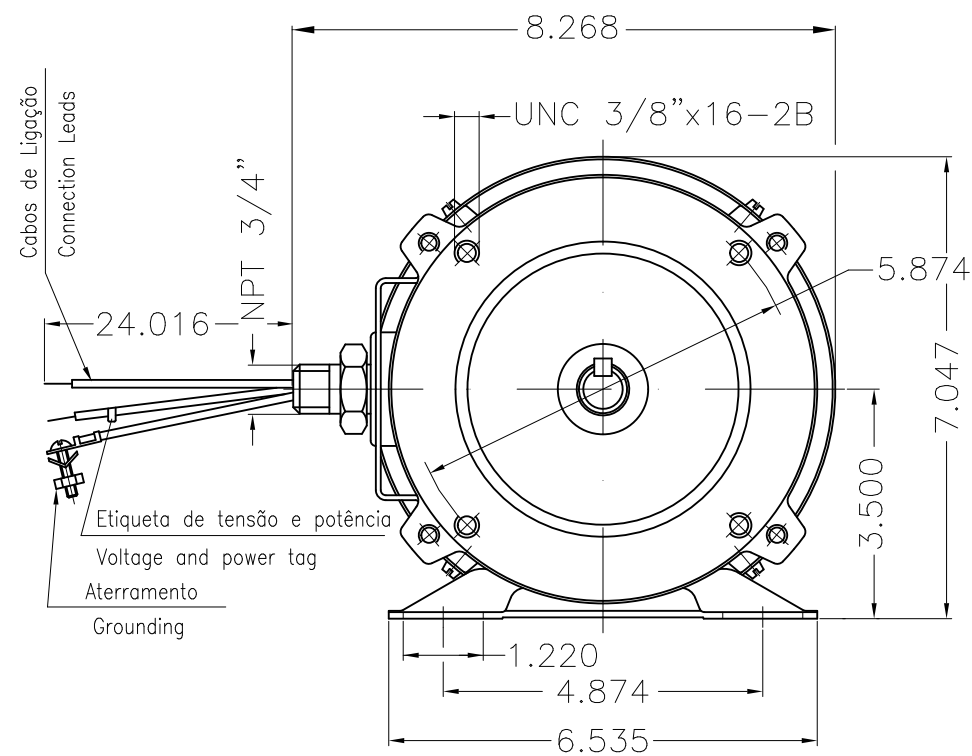
A

B

C

D

E



Bearing cap		Mounting B34R(D)									
						HYBRISUSER				00	
ECM	LOC	SUMMARY OF MODIFICATIONS				EXECUTED	CHECKED	RELEASED	DATE	VER	
EXECUTED	HYBRISUSER	THREE PH. MOTOR EXPLOSION PROOF				PREVIEW				WEG	
CHECKED		FRAME B56CEX IP44 TEFC				WDD		00			
RELEASED						SHEET		1 / 1			
REL. DATE		WMO	Jaragua do Sul	Product Engineering							

0.75 HP 04 Poles 60 Hz

A