

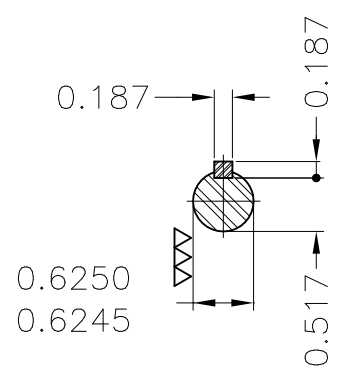
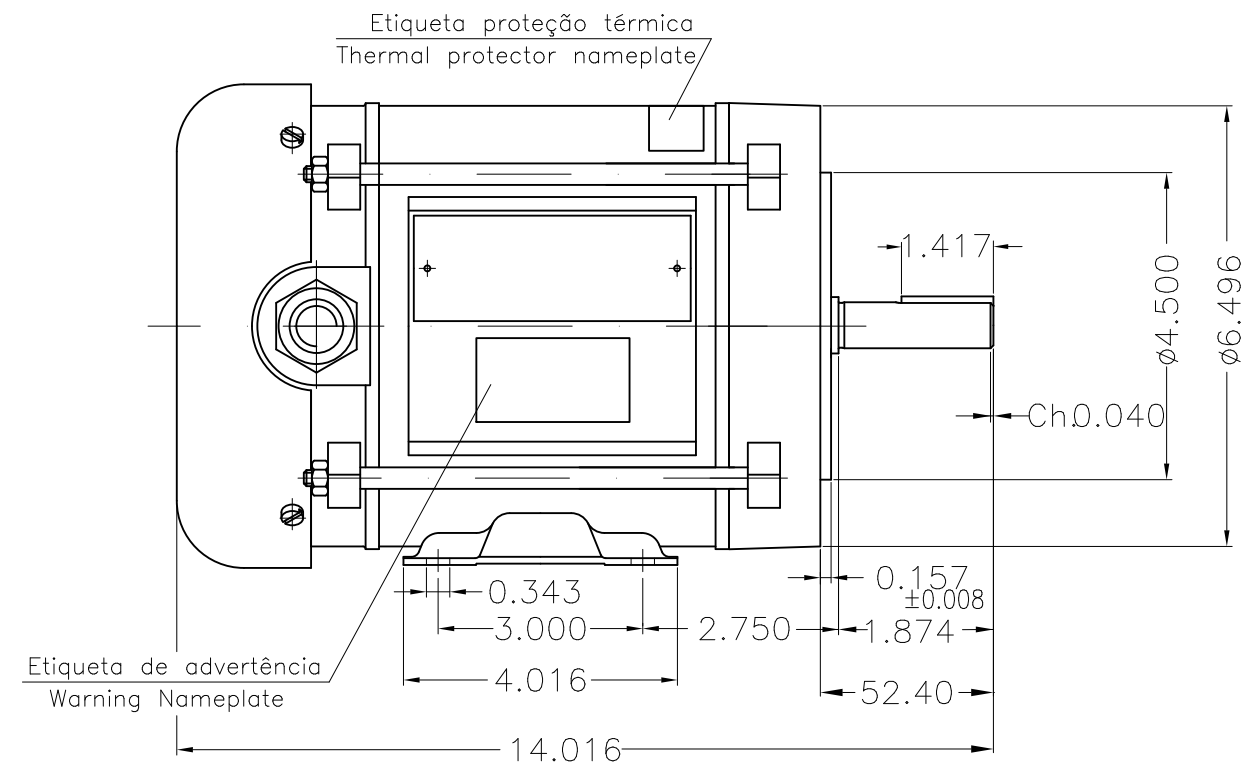
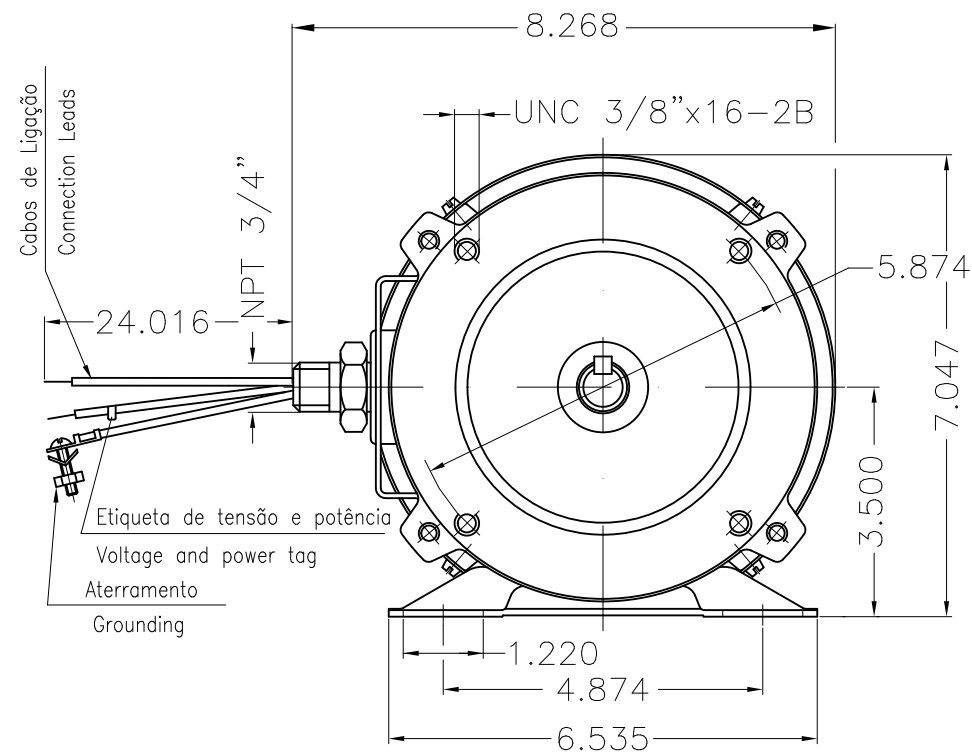
A

B

C

D

E



Dimensions in inches

Mounting B34R(D)										
HYBRISUSER 00										
ECM	LOC	SUMMARY OF MODIFICATIONS				EXECUTED	CHECKED	RELEASED	DATE	VER
EXECUTED	HYBRISUSER	SINGLE PH. MOTOR EXPLOSION PROOF				PREVIEW		WDD 00		
CHECKED		FRAME D56CEX IP44 TEFC				WDD 00		SHEET 1 / 1		
RELEASED						WEG				
REL. DATE	WMO	Jaragua do Sul		Product Engineering		SHEET 1 / 1				

3/4 HP 04 Poles 60 Hz

A