

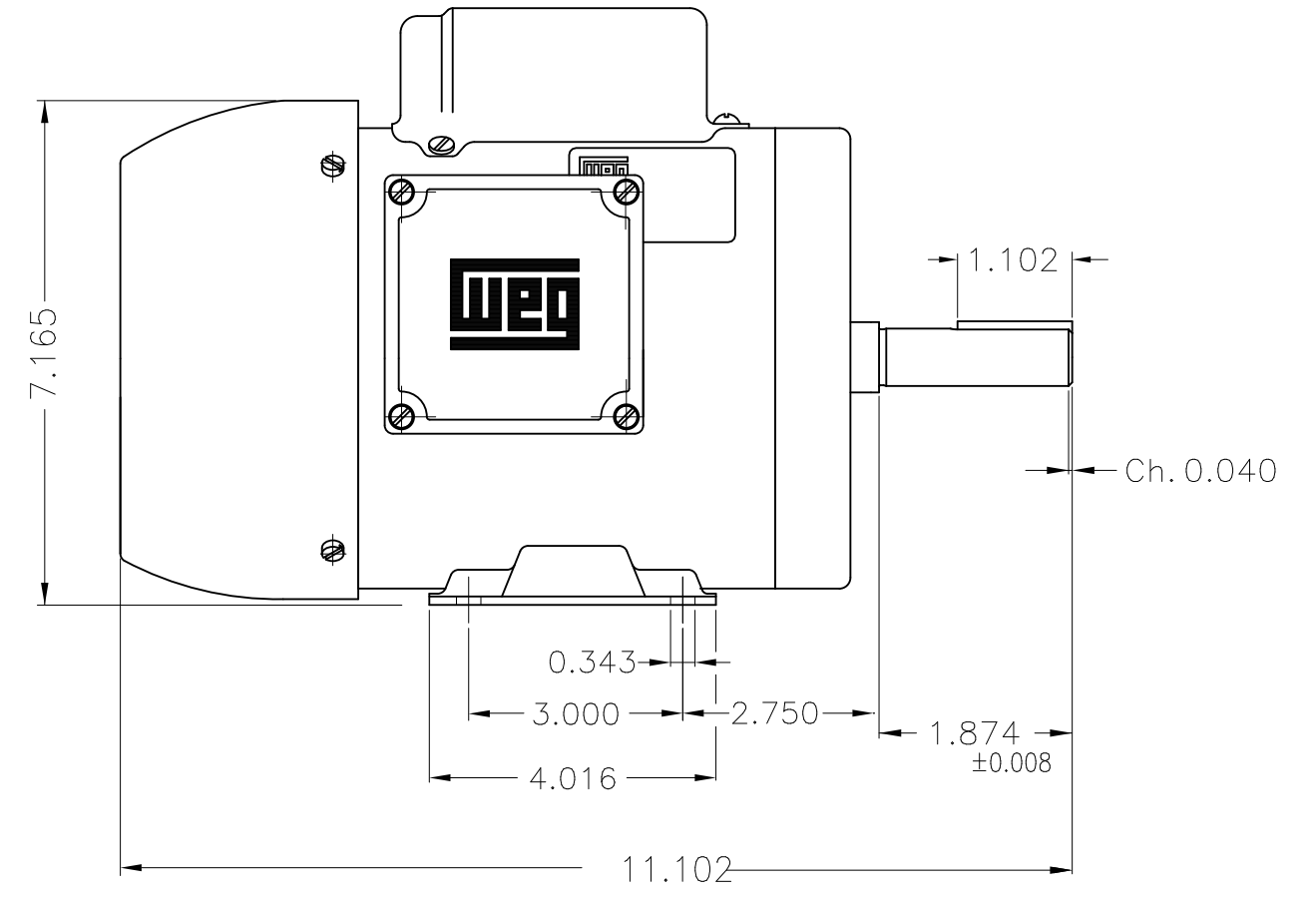
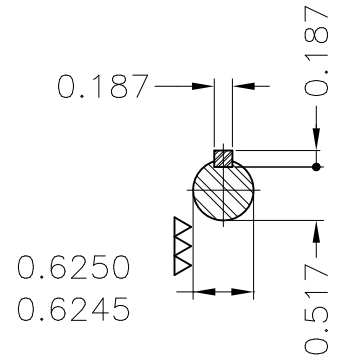
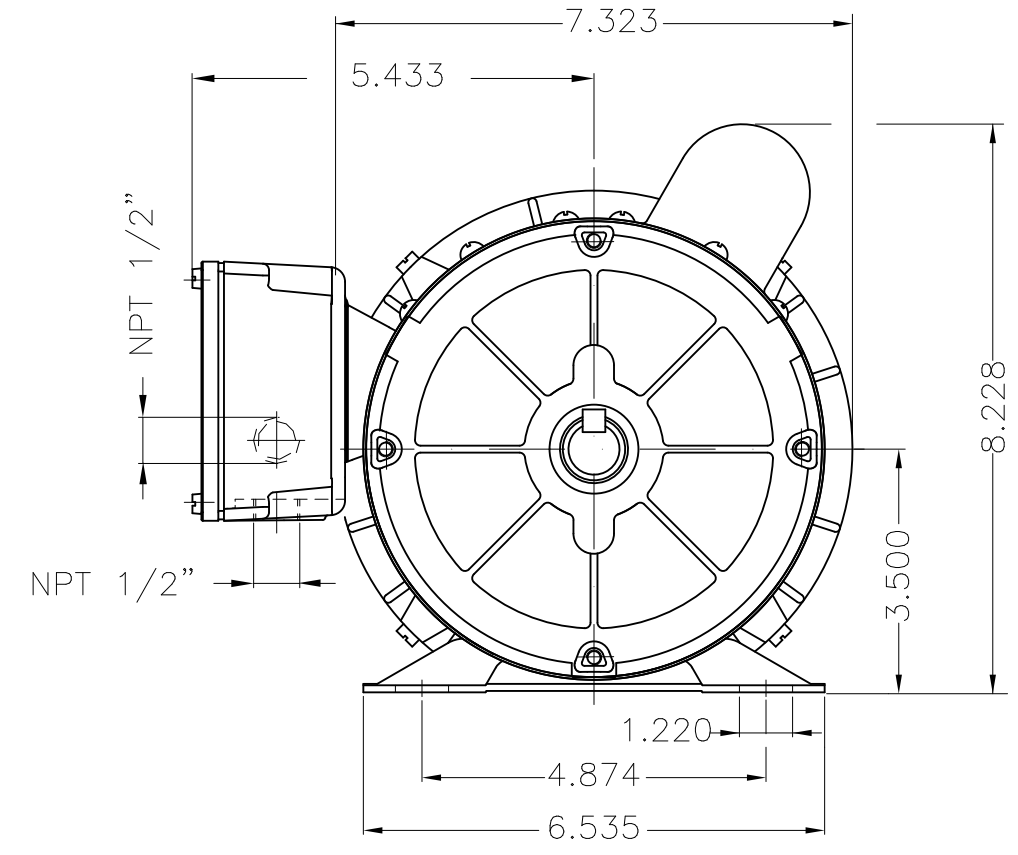
A

B

C

D

E



Mounting B3R(D)										
ECM	LOC	SUMMARY OF MODIFICATIONS				EXECUTED	CHECKED	RELEASED	DATE	VER
EXECUTED	HYBRISUSER	SINGLE PH. MOTOR GENERAL								
CHECKED		FRAME B56 IP55 TEFC								
RELEASED										
REL. DATE		WMO	Jaragua do Sul	Product Engineering						

1/3 HP 02 Poles 60 Hz

Dimensions in inches

XME A3



PREVIEW
WDD 00
SHEET 1 / 1