

1 2 3 4 5 6

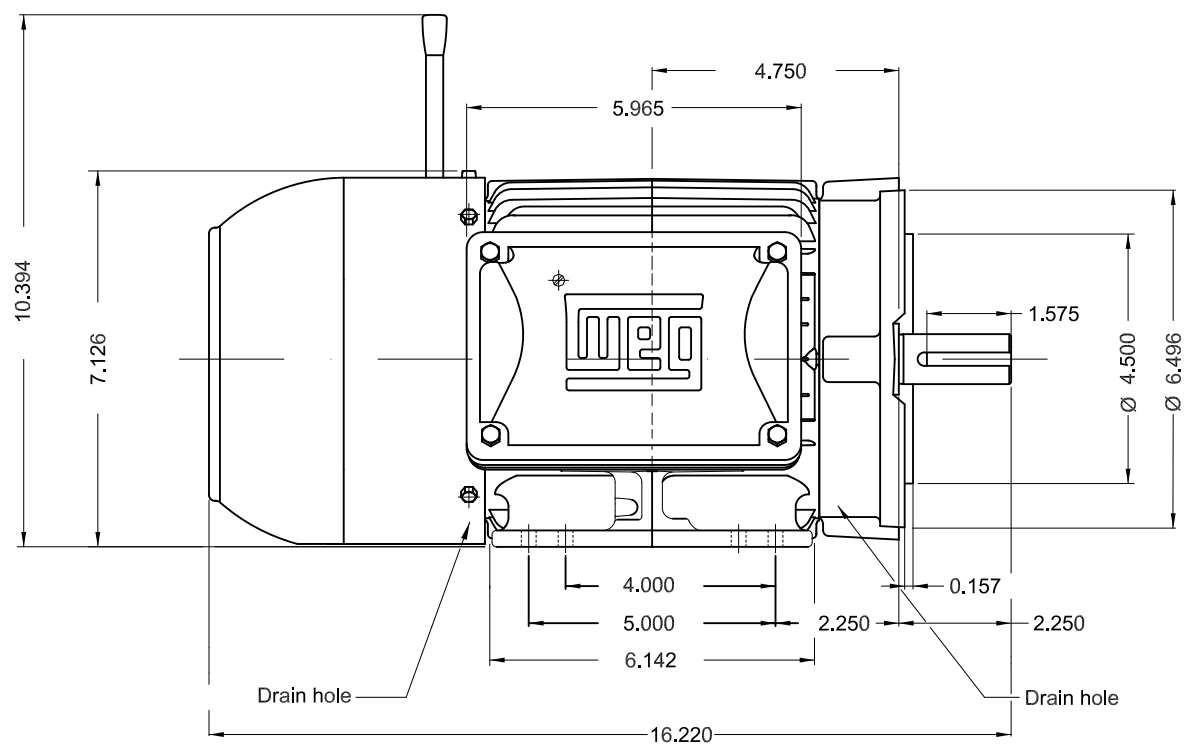
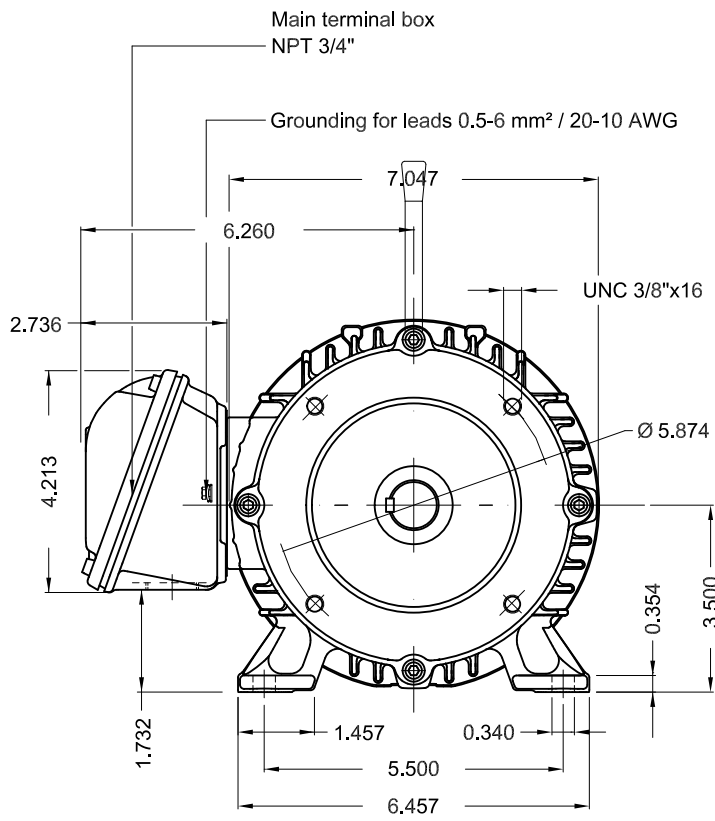
A

B

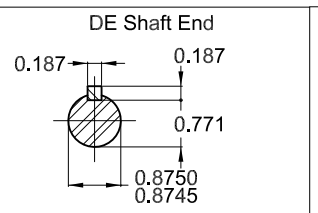
C

D

E



Brake voltage 525-575 V
With brake 10 (16 Nm)
Color RAL 5009
Painting plan 207A
Mounting NEMA F-1
Mounting B34R(D)



2 HP 02 Poles 60 Hz A

ECM	LOC	SUMMARY OF MODIFICATIONS	EXECUTED	CHECKED	RELEASED	DATE	VER
EXECUTED	DATAVIEWERUSER	THREE PH. MOTOR W22 BRAKE MOTOR PREM. EFF.					
CHECKED		FRAME 143/5TC IP55 TEFC					
RELEASED							
REL DT.	WMO	Jaragua do Sul	Product Engineering				

PREVIEW
WDD



SHEET 1 / 1