

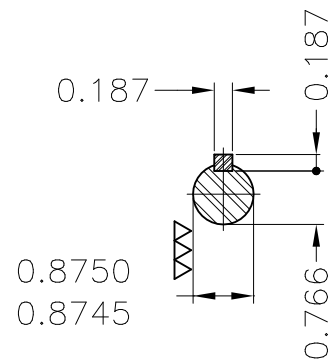
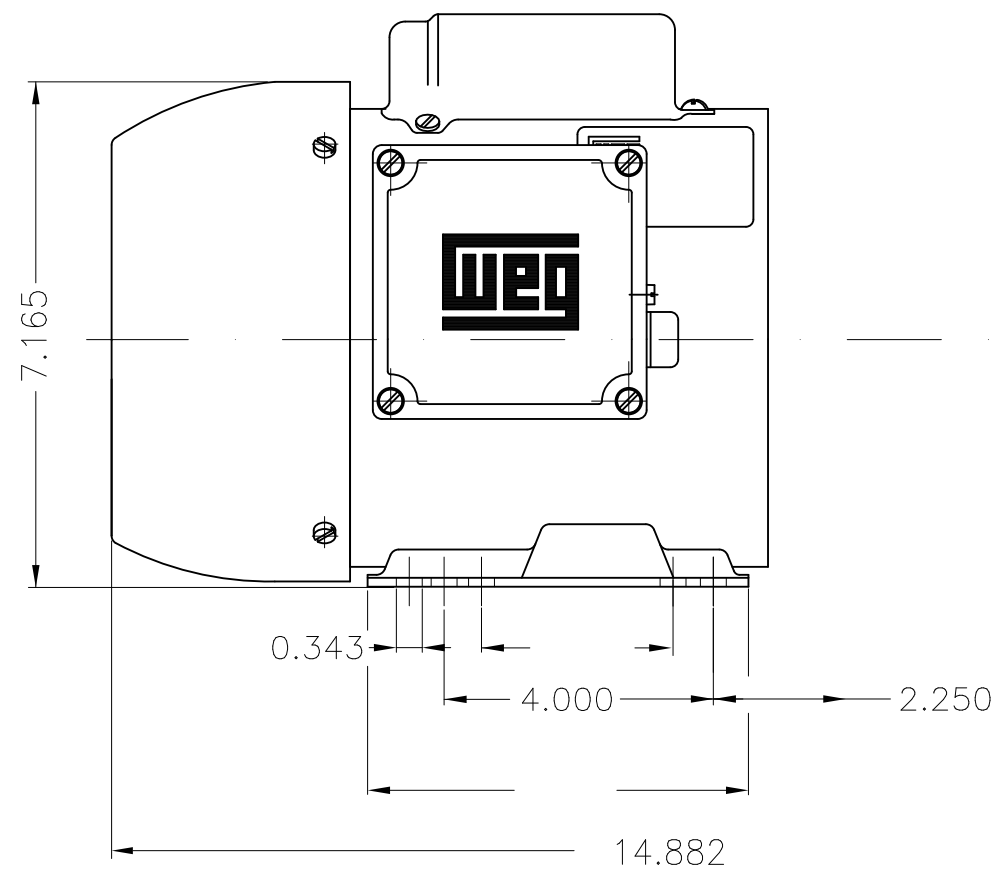
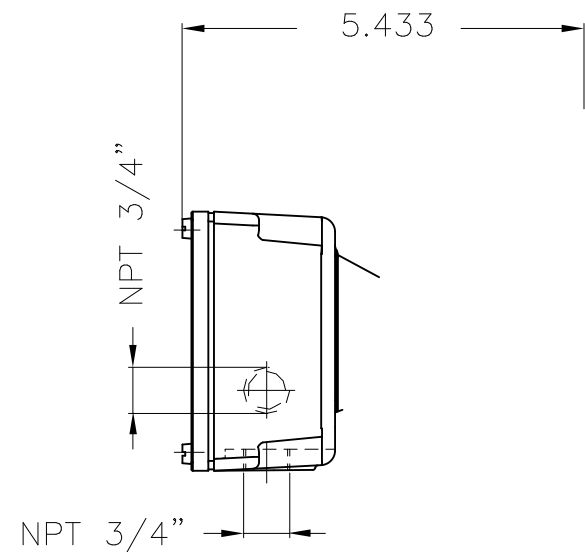
A

B

C

D

E



Mounting NEMA F-1										
Mounting B34R(D)										
ECM	LOC	SUMMARY OF MODIFICATIONS				EXECUTED	CHECKED	RELEASED	DATE	VER
EXECUTED	DATAVIEWER	USER	SINGLE PH. MOTOR FARM DUTY				PREVIEW		WEG	
CHECKED			FRAME G145TC IP55 TEFC				WDD			
RELEASED										
REL DT.		WMO	Jaragua do Sul	Product Engineering	SHEET	1 / 1				

1.5 HP 04 Poles 60 Hz