

1 2 3 4 5 6

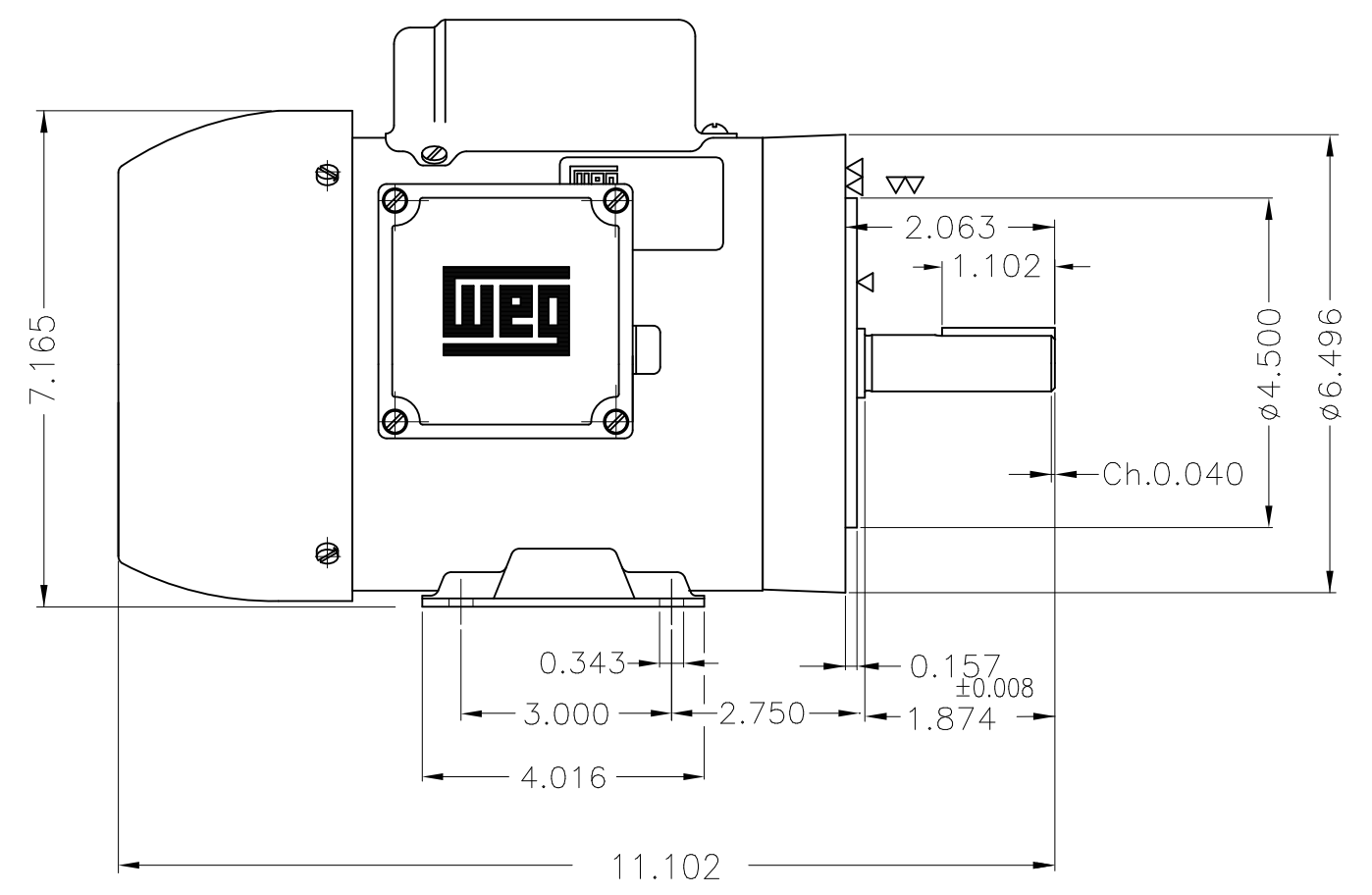
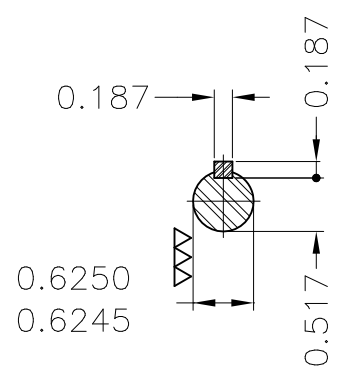
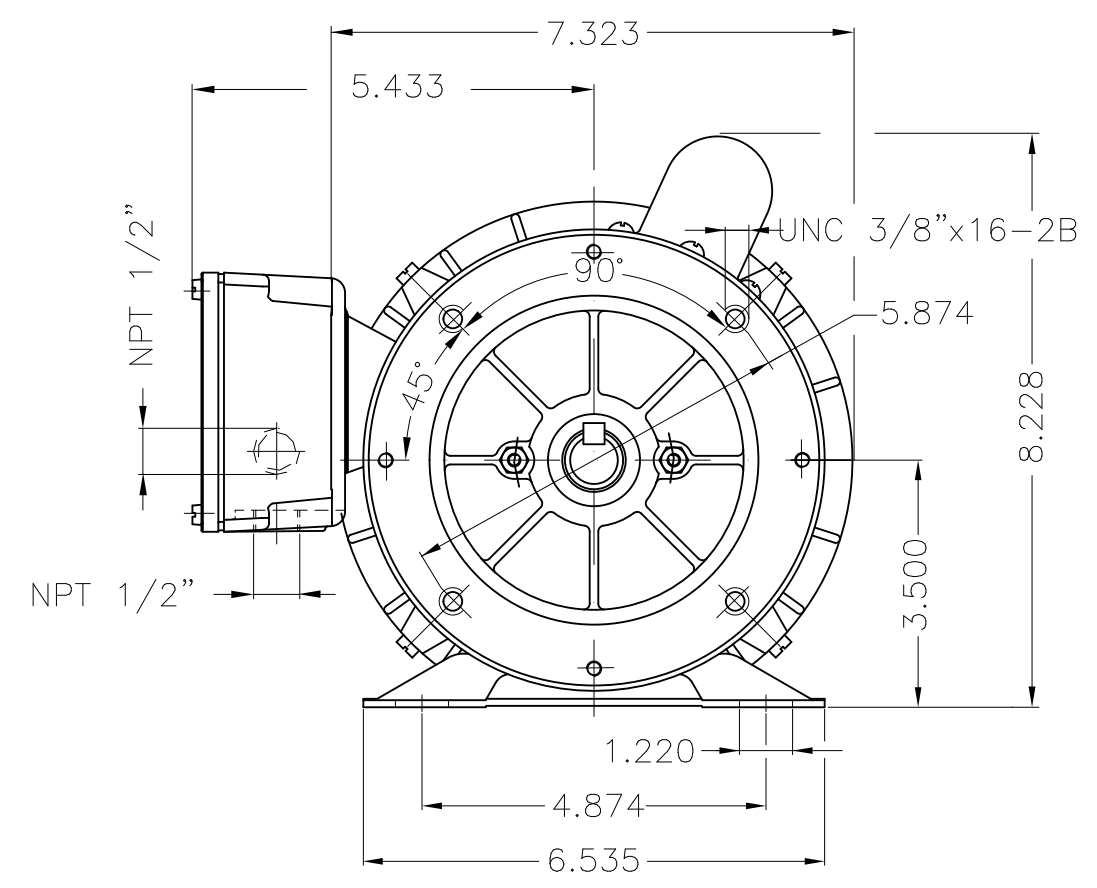
A

B

C

D

E



Mounting B34R(D)									
ECM	LOC	SUMMARY OF MODIFICATIONS			EXECUTED	CHECKED	RELEASED	DATE	VER
EXECUTED	DATAVIEWER	SINGLE PH. MOTOR FARM DUTY			PREVIEW		WDD		
CHECKED		FRAME B56C IP55 TEFC							
RELEASED									
REL DT.		WMO	Jaragua do Sul	Product Engineering	SHEET	1 / 1			

1/3 HP 04 Poles 60 Hz