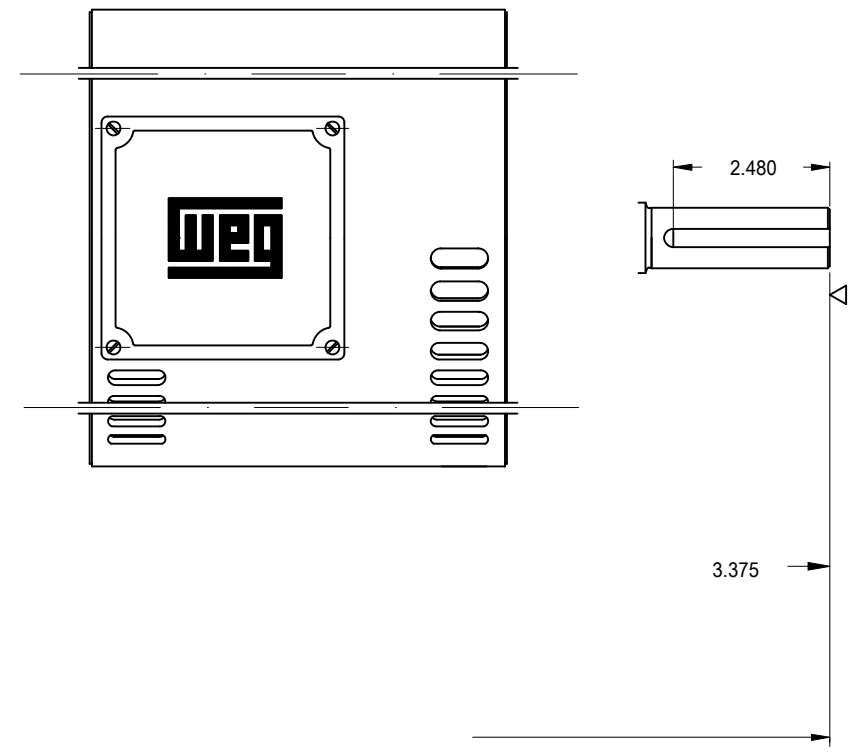
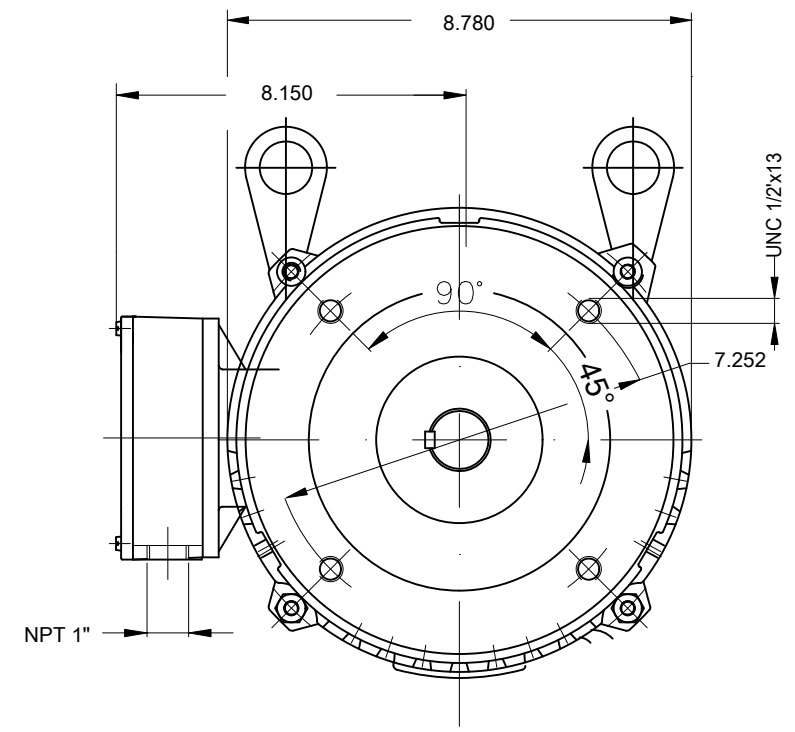
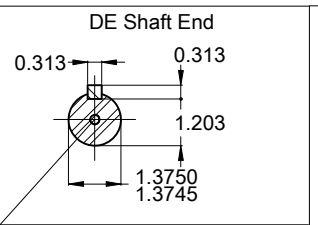


1 2 3 4 5 6

A  
B  
C  
D  
E



- Packing - crate
- Plastic flat plug
- With drip cover
- Color RAL 5009
- Painting plan 207A
- Mounting B14R(D)



10 HP 02 Poles 60 Hz A

						HYBRISUSER								00	
ECM	LOC	SUMMARY OF MODIFICATIONS				EXECUTED	CHECKED	RELEASED	DATE	VER					
EXECUTED	HYBRISUSER	THREE PH. MOTOR GENERAL HIGH EFF.													
CHECKED		FRAME 213/5TC IP21 ODP													
RELEASED															
REL. DATE		WMO	Jaragua do Sul	Product Engineering											

**PREVIEW**

WDD 00

SHEET 1 / 1

Dimensions in inches XME A3