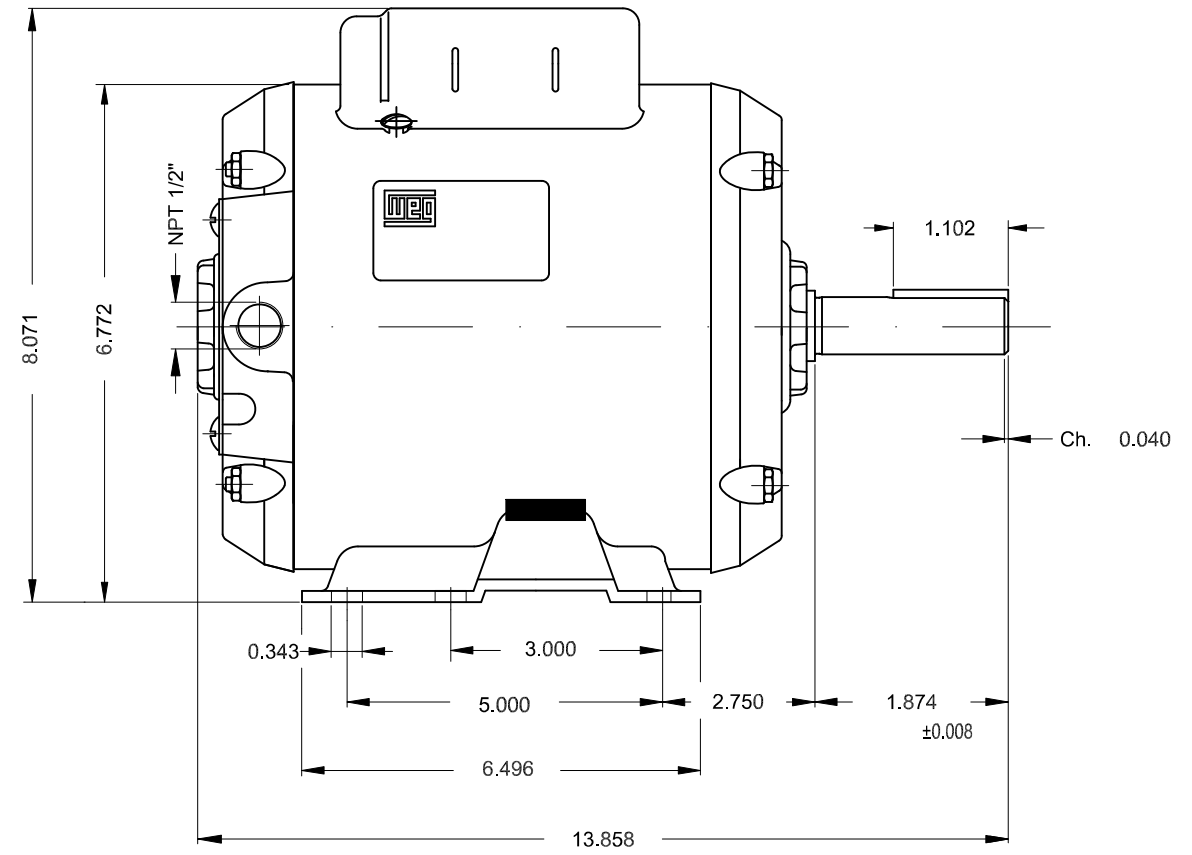
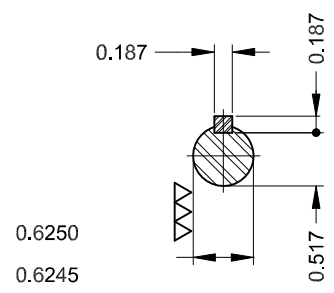
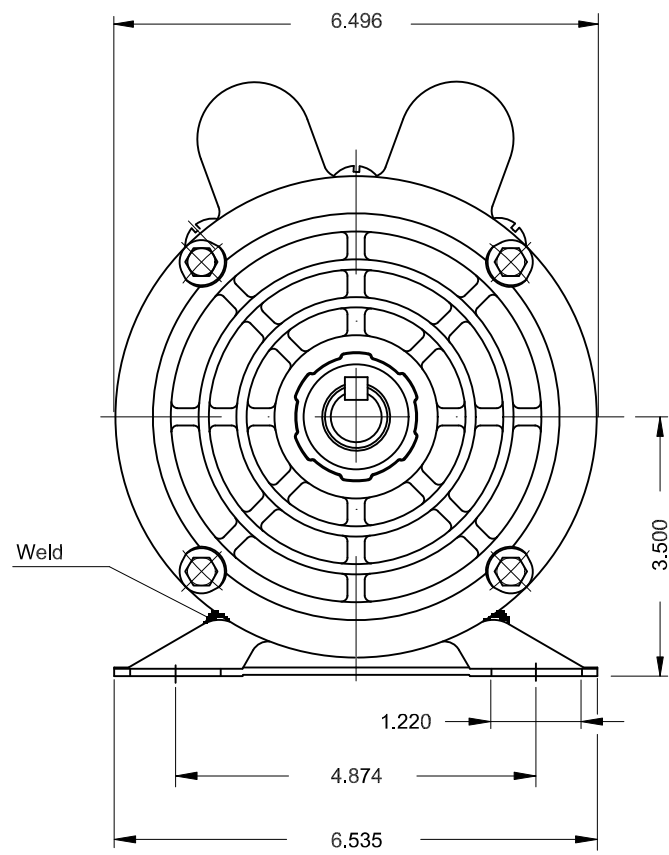
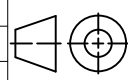


1 2 3 4 5 6

A
B
C
D
E



Color Munsell N 1 matte black
 Painting plan 207N
 Mounting B3R(D)

ECM	LOC	SUMMARY OF MODIFICATIONS	EXECUTED	CHECKED	RELEASED	DATE	VER
EXECUTED	HYBRISUSER	 SINGLE PH. MOTOR COMPRESSOR DUTY FRAME G56H IP21 ODP					
CHECKED							
RELEASED							
REL. DATE	WMO	Jaragua do Sul	Product Engineering	HYBRISUSER			00

5 HP 02 Poles 60 Hz

A PREVIEW WDD 00 SHEET 1 / 1

