

# PESW Series Enclosed Starters



## Robust Solutions for Demanding Applications

### PESW Series Enclosed Starters

**High performance, optimized solutions for motor starting and control. WEG offers full voltage non-reversing and non-combination magnetic starters, PESW series, with up to 75HP at 460VAC (105A) and 75HP at 575VAC (95A) for three-phase applications and up to 10HP at 230VAC (50A) for single-phase applications.**



UL File No. E202315

### Standard Features

- Compact design
- Plastic enclosure Type 4X
- Available in four box sizes 05, 06, 08, and 10
- IEC contactors inside
- Trip class 10 bimetallic overload relays
- Phase-loss sensitivity protection
- Automatic and manual RESET options
- Standard START/STOP + RESET buttons or RESET button only
- Custom control options available upon request

### Accessories – Replacement Base-Mount Contact Blocks for PESW(S)B9-38

- Single contact block used for mounting in base, in PBW plastic control stations, and on 35mm DIN rail.
- Normally-Open and Normally-Close contact blocks available



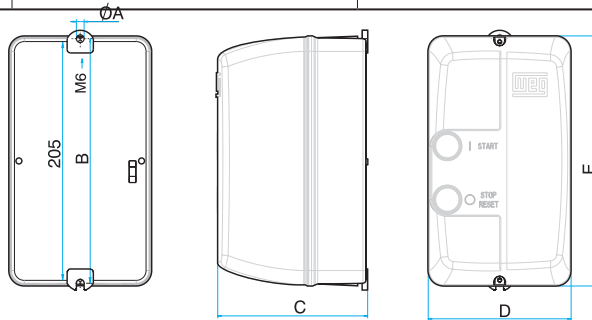
# Disconnect Switches – PESW Series

## DIMENSIONS

SIZE 05 mm(in)	SIZE 06 mm (in)	SIZE 08 mm (in)	SIZE 10 mm (in)
$\phi A = 5.5 (0.2165)$	$\phi A = 6.5 (0.3)$	$\phi A = 6.0 (0.2)$	$\phi A = 7.0 (0.3)$
B = 219.0 (8.622)	B = 205 (8.1)	B = 275 (10.8)	B = 355 (14.0)
C = 112 (4.4331)	C = 126 (5.0)	C = 143 (5.6)	C = 167 (6.6)
D = 114.0 (4.4882)	D = 120 (4.7)	D = 180 (7.1)	D = 250 (9.9)
E = 217 ( 8.5433)	E = 210 (8.3)	E = 280 (11.0)	E = 360 (14.2)

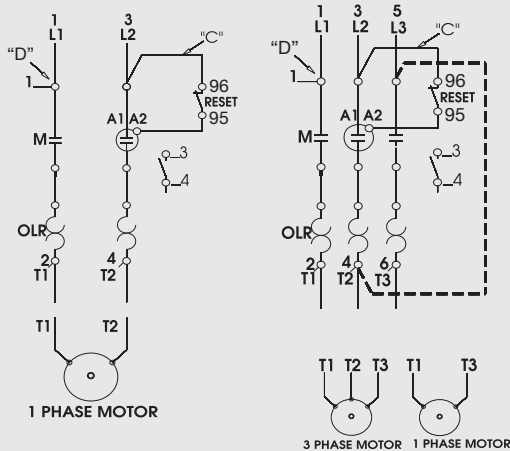
  

Provision for cable gland fitting	Standard		
	Top	Bottom	Back
Size 05	2 x 1/2" - 3/4" PG13.5	2 x 1/2" - 3/4" PG13.5	4 X 1/2" PG13.5
Size 06		2 x 1/2" and 3/4"	$\phi 22\text{mm} (0.9\text{in})$
Size 08	2 x 3/4" and 1"	2 x 3/4" and 1"	-
Size 10	2 x 3/4" and 1"	2 x 3/4" and 1"	-
	1 x 1" and 1 1/4"	<b>1 x 1" and 1 1/4"</b>	-



## WIRING DIAGRAM

### Single-phase Starter Three-phase Starter

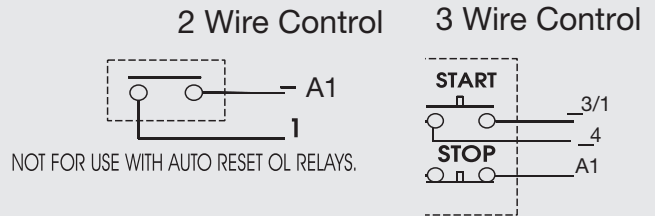


Conversion to single-phase, add jumper wire from L3 to T2 (follow dotted line connection above)

### Separate Control

FOR SEPARATE CONTROL, REMOVE WIRES "C" AND "D" IF SUPPLIED AND CONNECT SEPARATE CONTROL LINES TO TERMINAL N° 96 ON THE OVERLOAD RELAY AND TO TERMINAL N° \_3 ON THE AUX. CONTACT BLOCK (FOR 3 WIRE CONTROL) OR TO THE CONTACTOR COIL N° A1 (FOR 2 WIRE CONTROL).

### Pilot Devices



**V.J. Pamensky Canada Inc.**  
175 Gordon Baker Rd.  
Toronto, ON  
M2H 2N7

1 (877) PAMENSKY (726-3675)  
[www.pamensky.com](http://www.pamensky.com)